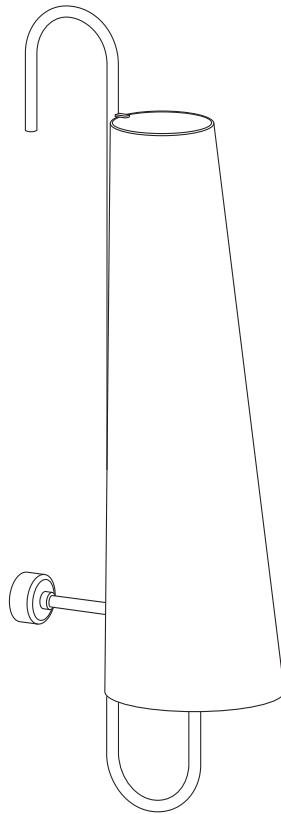


Ancora Wall Lamp 100

Assembly manual



ferm
L I V I N G

General Instructions

PLEASE READ BEFORE INSTALLATION

WARNING:

The safety of this fitting can only be guaranteed if the following instructions are observed during both installation and use. Please retain these instructions safely after installation.

PLEASE OBSERVE THE FOLLOWING GUIDELINES:

- Ensure that the power supply has been switched off prior to installation or removal of the product.
- Never undertake an electrical installation without the proper knowledge or training. If not familiar with electrical wiring, contact a qualified electrician.
- The product may in no way be modified or tampered with. Any modification may compromise safety and make the product itself dangerous to use. FERM LIVING does not accept any responsibility for products that have been modified.
- This product requires the use of a lightbulb that is not included. Please use a lightbulb that has the relevant safety certifications and approvals for your area.
- Any modification must be performed only by qualified personnel to avoid any danger.
- This product is meant for indoor use only.
- This appliance should not be disposed in a domestic trash receptacle and should instead be recycled appropriately.
- If the external flexible cable or cord of this luminaire is damaged, it shall be exclusively replaced by the manufacturer or his service agent or a similar qualified person in order to avoid a hazard.
- To reduce the risk of strangulation the flexible wiring connected to this luminaire shall be effectively fixed to the wall if the wiring is within arm's reach.
- If the external flexible cable or cord of this luminaire is damaged, it shall be exclusively replaced by the manufacturer or his service agent or a similar qualified person in order to avoid a hazard.

CLEANING INSTRUCTIONS:

- Use only a soft cloth to clean the product.

MORE INFORMATION:

To access further information such as product overview and material descriptions, please visit our website at www.fermliving.com. If you have any questions or comments, please do not hesitate to contact us at info@fermliving.com.

Technical Specifications

ANCORA WALL LAMP:

Voltage:	220-240V – 50Hz
Dimmable:	No
Certification:	CE, IP20 Class II
Socket:	E27 socket base
Recommended light source:	2 pcs light bulb 8 watt LED (Bulb not included)

Needed Tools

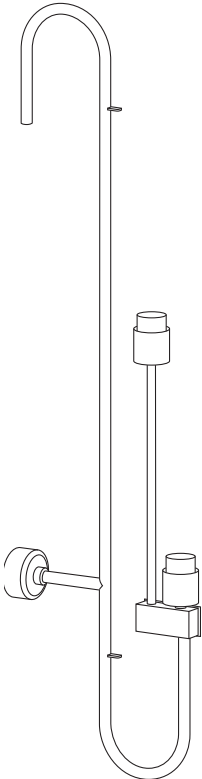


Phillips head screwdriver

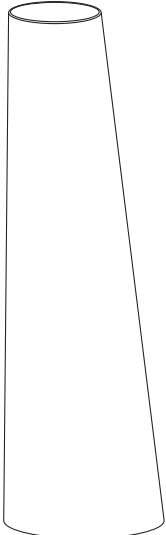


Spirit level

Box Content



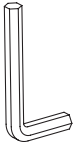
1 x Lamp Base



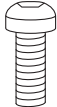
1 x Lamp Shade



1 x Small slotted screwdriver



1 x Allen key



2 x Lamp shade screw



1 x Set screw



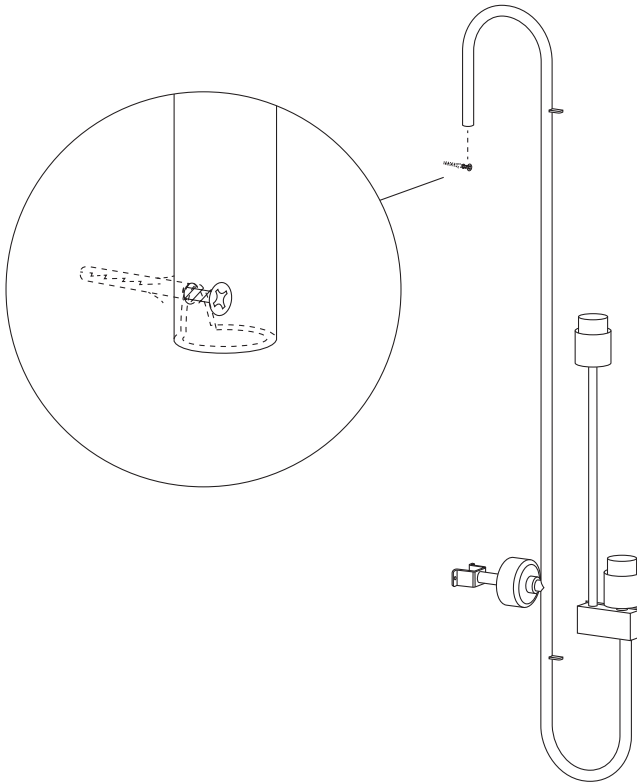
3 x Screws for wall



3 x Wallplugs

Assembly Process

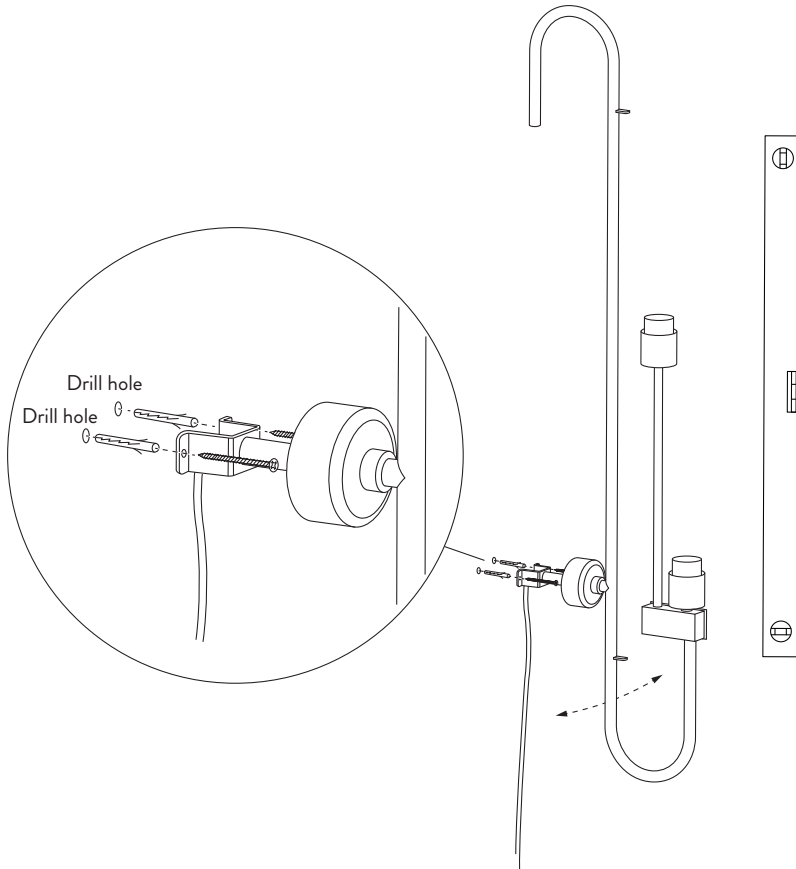
1



Drill a hole for the rawplugs and screw then hang the lamp on the screw. The screw must not be screwed in completely.

Assembly Process

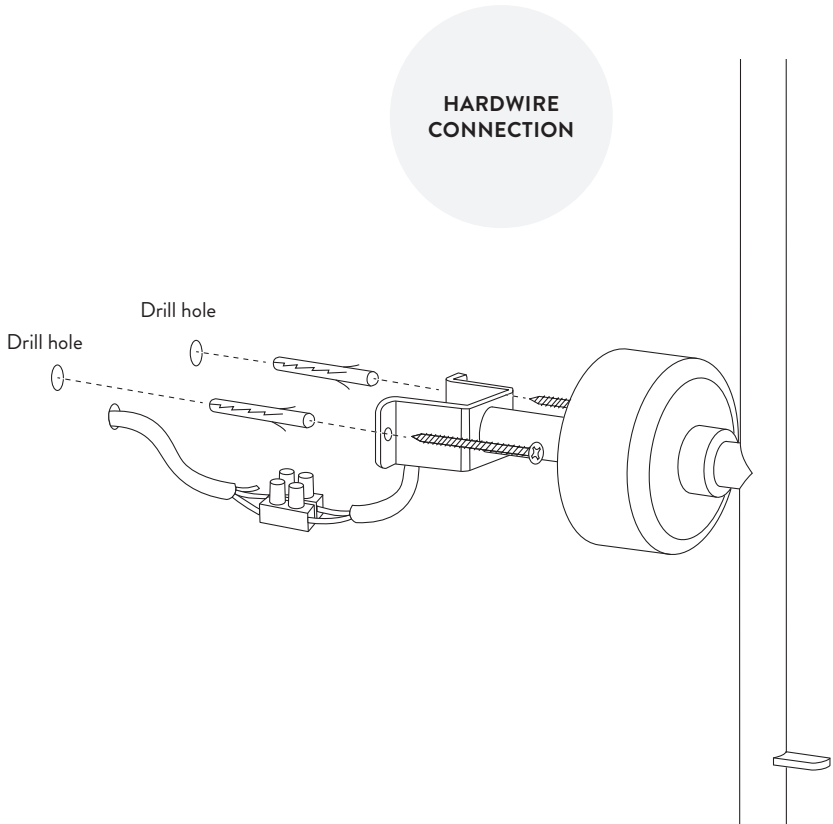
2



Adjust the lamp so that it is centered on the wall. (Use spirit level)
Use the bracket to mark the two holes' positions.
Drill the holes and insert the rawplugs and screws.

Assembly Process

3

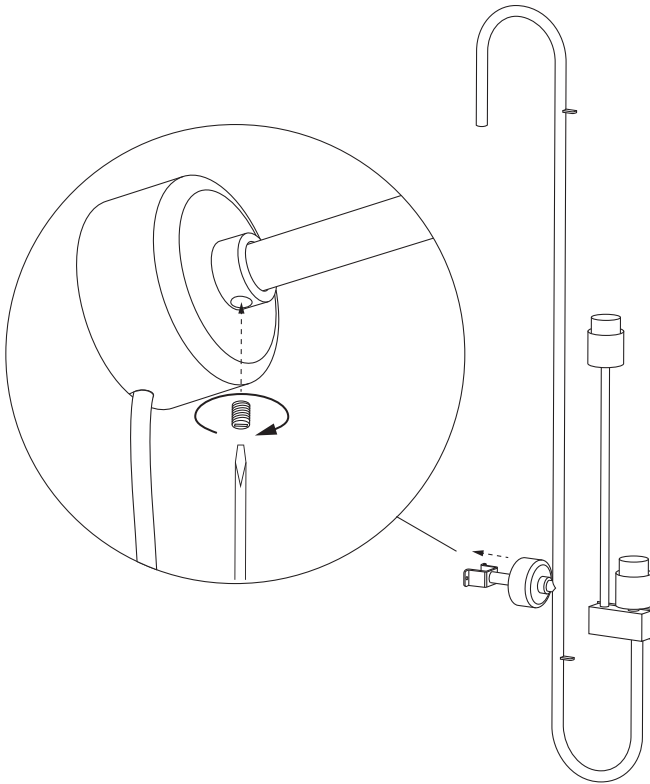


Optional hardwire connection:

Cut the cable and install your own terminal block and connect the cables to the wiring from the house

Assembly Process

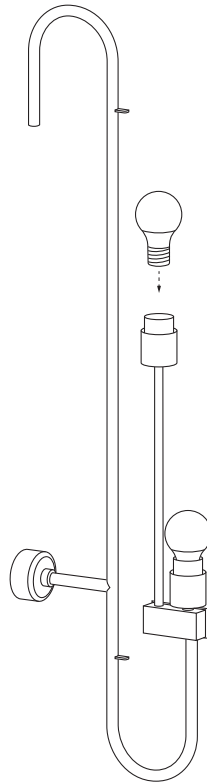
4



Pull the cover over the wall bracket.
Tighten the set screw with the slotted screwdriver.

Assembly Process

5

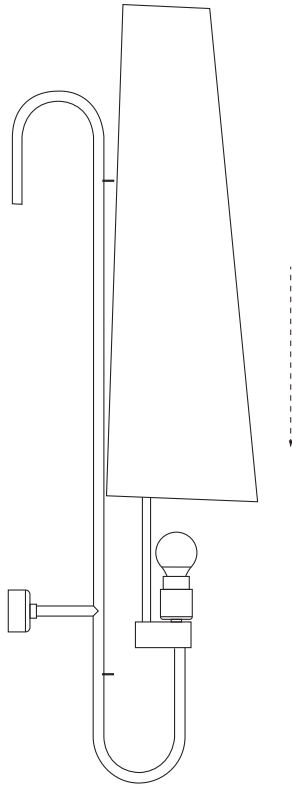


BULB NOT INCLUDED

Insert two light bulbs E27 in socket.

Assembly Process

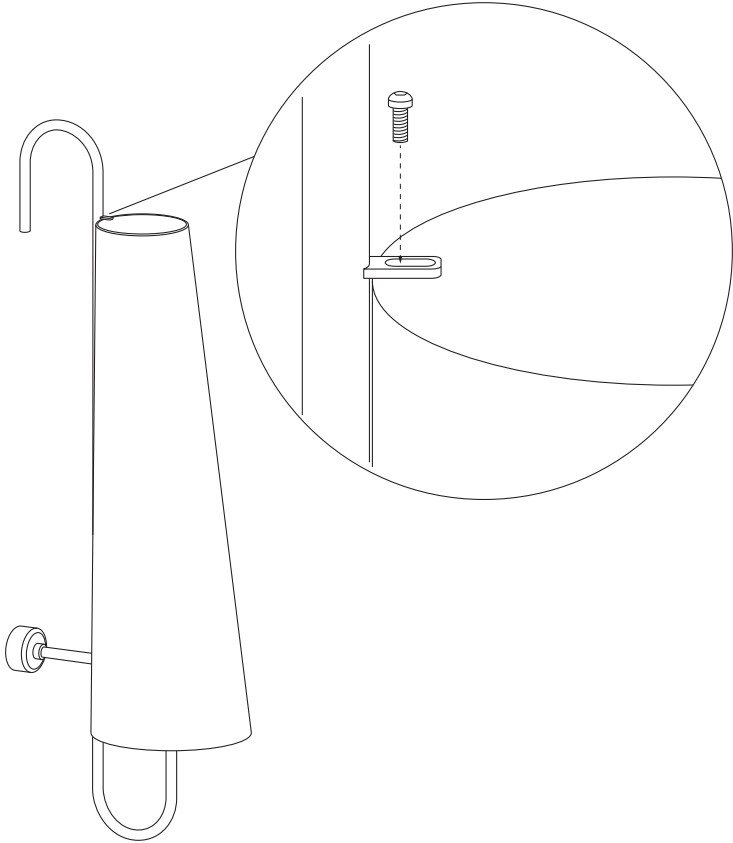
6



Mount the lamp shade.

Assembly Process

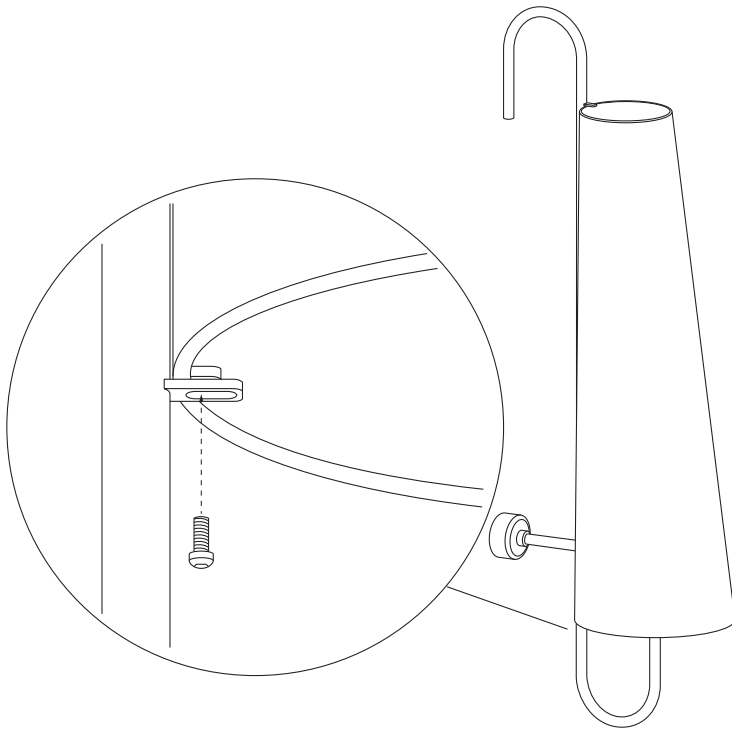
7



Insert screw at the top of the lampshade

Assembly Process

8



Insert screw at the bottom of the lampshade

fermliving.com