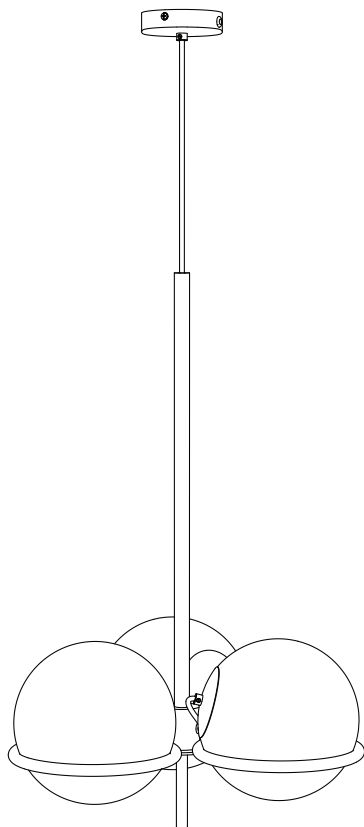


ERA CHANDELIER LAMP

ASSEMBLY MANUAL



ferm
L I V I N G

GENERAL INSTRUCTIONS

Please read before installation

WARNING:

The safety of this fitting can only be guaranteed if the following instructions are observed during both installation and use. Please retain these instructions safely after installation.

Please observe the following guidelines:

- Ensure that the power supply has been switched off prior to installation or removal of the product.
- Never undertake an electrical installation without the proper knowledge or training. If not familiar with electrical wiring, contact a qualified electrician.
- The product may in no way be modified or tampered with. Any modification may compromise safety and make the product itself dangerous to use. ferm LIVING does not accept any responsibility for products that have been modified.
- This product requires the use of a lightbulb that is not included. Please use a lightbulb that has the relevant safety certifications and approvals for your area.
- This product is meant for indoor use only.
- This appliance should not be disposed in a domestic trash receptacle and should instead be recycled appropriately.

CLEANING INSTRUCTIONS:

- Use only a soft cloth to clean the product. Dampen the cloth with water and soap or a mild cleanser if needed.

MORE INFORMATION:

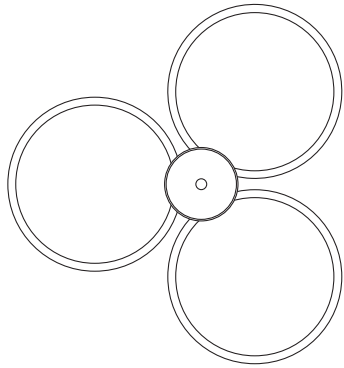
To access further information such as product overview and material descriptions, please visit our website at www.fermliving.com if you have any questions or comments, please do not hesitate to contact us at info@fermliving.com.

TECHNICAL SPECIFICATIONS

ERA CHANDELIER

Voltage:	220-240V, 50Hz
Triax dimable:	Yes, if applicable light bulbs are used (not included)
DALI Dimable:	No
Certification:	CE, IP20 Class I
Socket:	E27
Recommended Light source:	3 piece of LED light bulbs max 10W

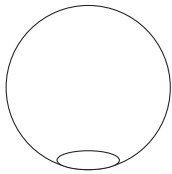
BOX CONTENT



x1
Lamp base



x1
Long tube

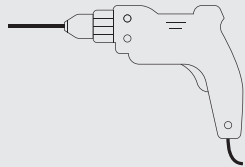


x3
White opal glass



x1
Canopy

NEEDED TOOLS

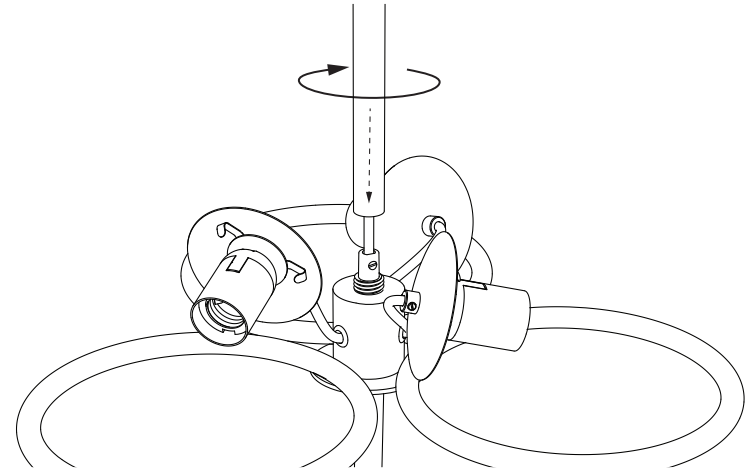


Electrical drill



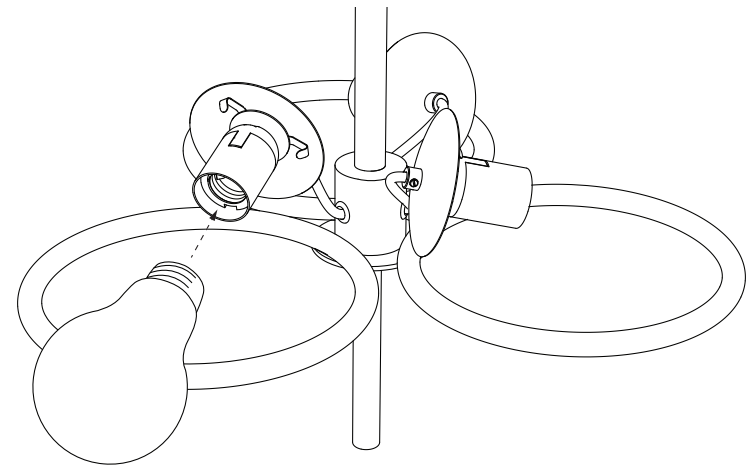
Screwdriver notched

1

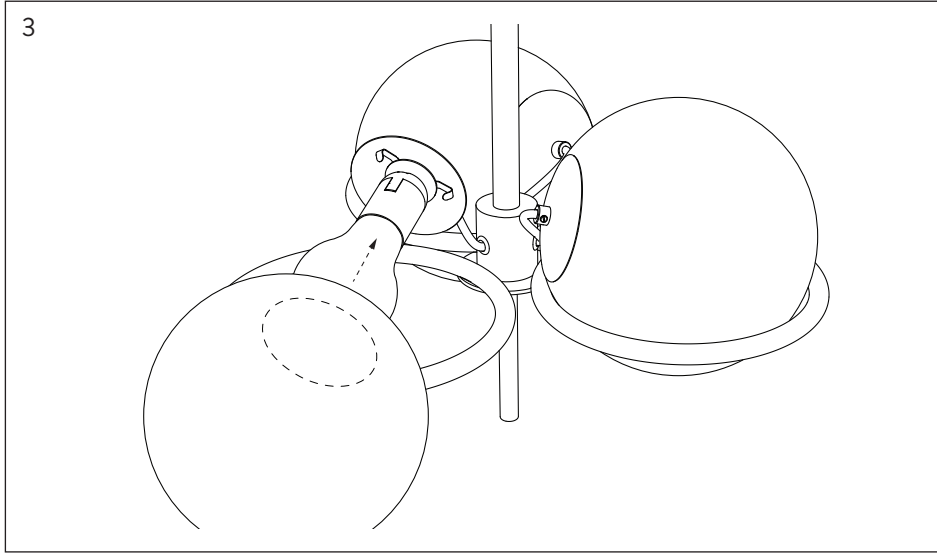


1. Mount the long tube to the lamp base.

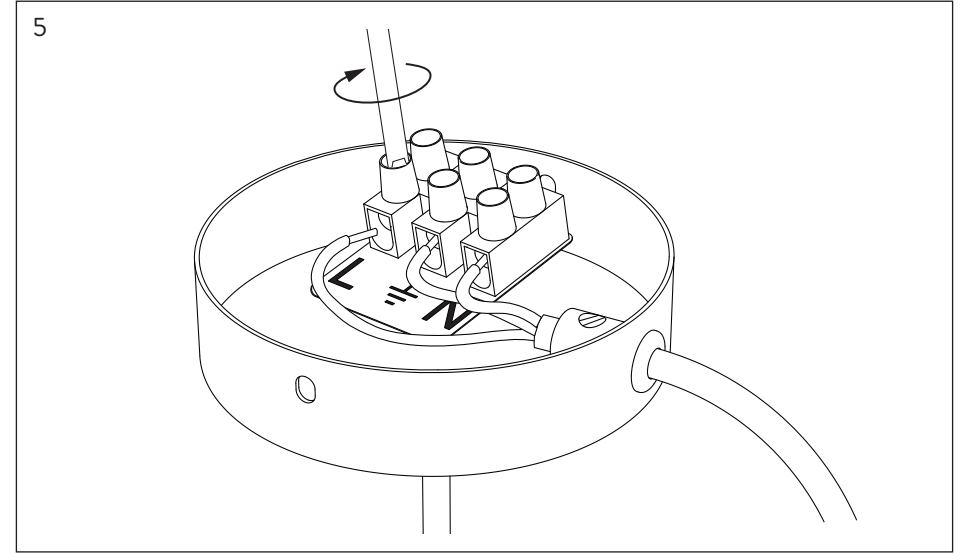
2



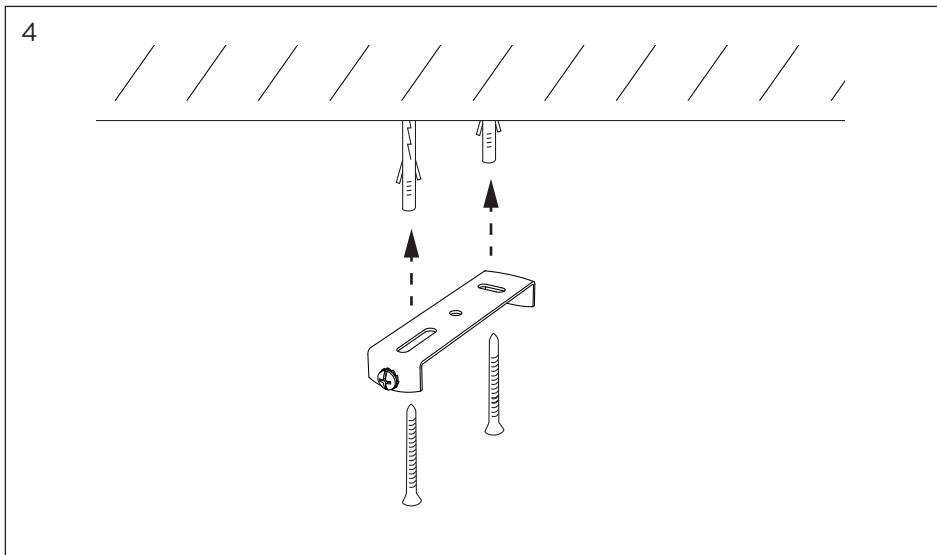
2. Mount the 3x light bulbs, max 10W LED.



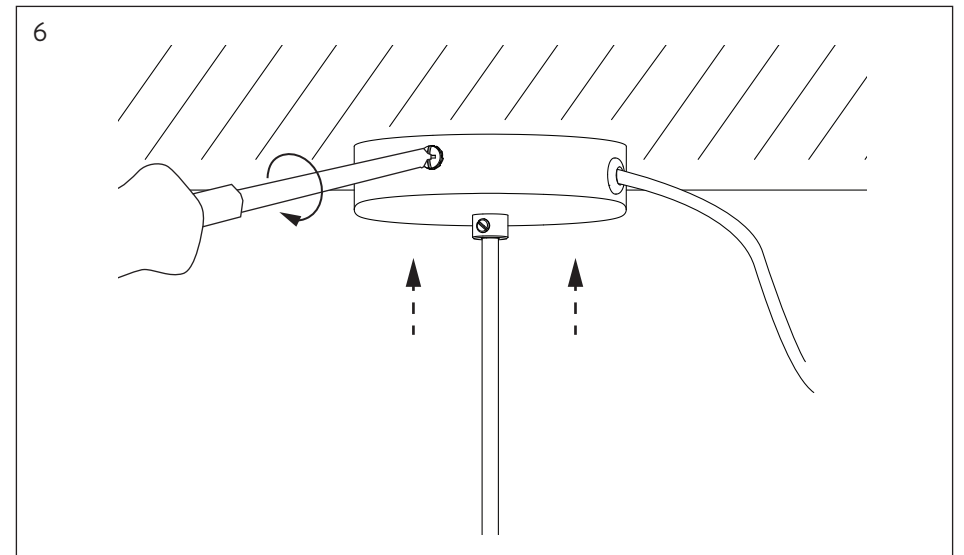
3. Carefully slide the glass opals over the sockets and place them on the metal rings.



5. Connect the wire to the junction box; 220-240V to N: Blue wire, L: Brown Wire, Ground icon: Green-yellow wire. **Make sure that the cable relief is tightened.**



4. Set up the ceiling bracket with appropriate screws and anchors.
Screws are not included.



6. Set up the lamp in the ceiling bracket with two screws.

fermliving.com