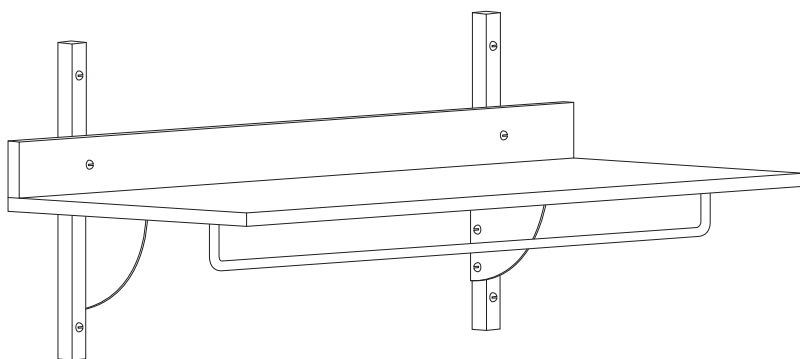


SECTOR RACK SHELF

Assembly manual



ferm
L I V I N G

General Instructions

PLEASE READ BEFORE INSTALLATION

WARNING:

The safety of this product can only be guaranteed if the following instructions are observed during both installation and use. Please retain these instructions safely after installation

PLEASE OBSERVE THE FOLLOWING GUIDELINES FOR VENEERED FURNITURE:

For daily cleaning, wipe with a clean, dry cloth or a cloth wrung out in clean water. If a wrung-out cloth or chamois is used, immediately wipe away any excess water with a clean, dry cloth. Dirty surfaces should be wiped with a damp cloth. Again, dry immediately with a clean, dry cloth. Be aware that liquid detergents will dissolve the oil, so an oil treatment should be repeated. To do this, apply wood oil evenly with a soft cloth or sponge in the direction of the wood's grain. After 2-3 hours, the wood may be polished with a clean, dry cloth. Avoid exposing the surfaces to water or other liquids for an extended period of time. Spilt liquids should be wiped away immediately.

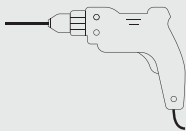
For a more thorough clean of your wooden furniture, you should use a wood cleaner, which removes marks like oil-based stains, water rings and more. It can also be used to wash tannic acid out of oak wood. Remember to treat the surface with neutral wood oil after using wood cleaner. Always remember to treat the underside of your furniture; otherwise, there is a risk that the wood will warp or crack. If the surface of the wood 'rises up' (becomes rough) after treatment, you can lightly sand it in the direction of the wood grain using fine sandpaper (minimum 220 grit). Never use steel wool!

The enclosed raw plugs are for brick wall only. Not suitable for plaster walls

MORE INFORMATION:

To access further information such as product overview and material descriptions, please visit our website at www.fermliving.com. If you have any questions or comments, please do not hesitate to contact us at info@fermliving.com.

NEEDED TOOLS



Electrical drill



Spirit Level



Screwdriver



Pencil

Box Content



x12

A) Truss Head Screw



x2

B) Machine Screw



x4

C) Truss Head Screw



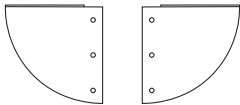
x2

D) Truss Head Screw



x6

Rawplug



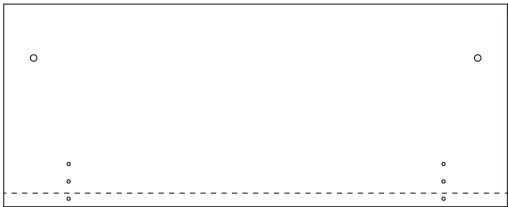
x2

Bracket



x2

Back profile



x1

Shelf

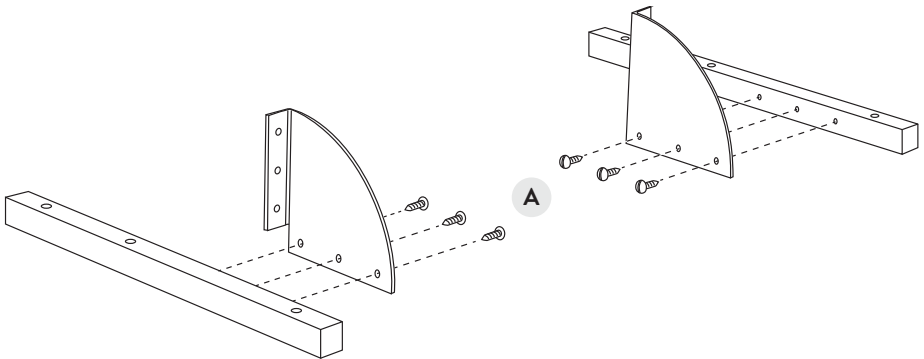


x1

Rod

Assembly Process

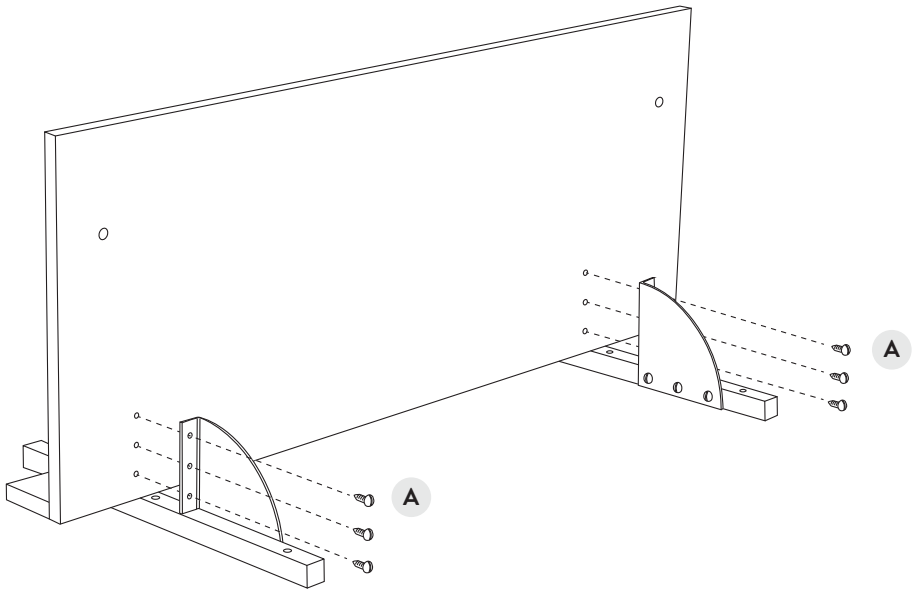
1



Mount the brackets on the back profiles with 6 screws (A).

Assembly Process

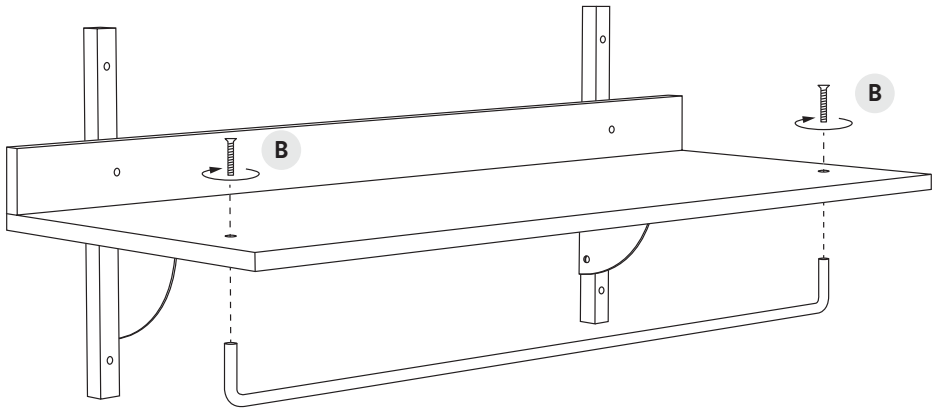
2



Mount the shelf on the bracket with 6 screws (A).

Assembly Process

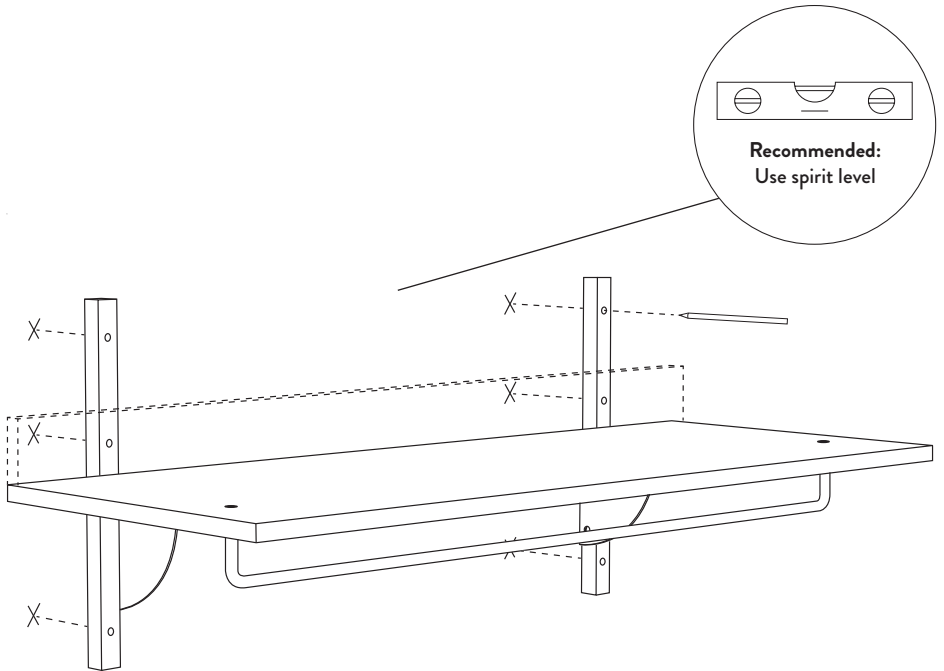
3



Mount the rod with 2 screws (B).

Assembly Process

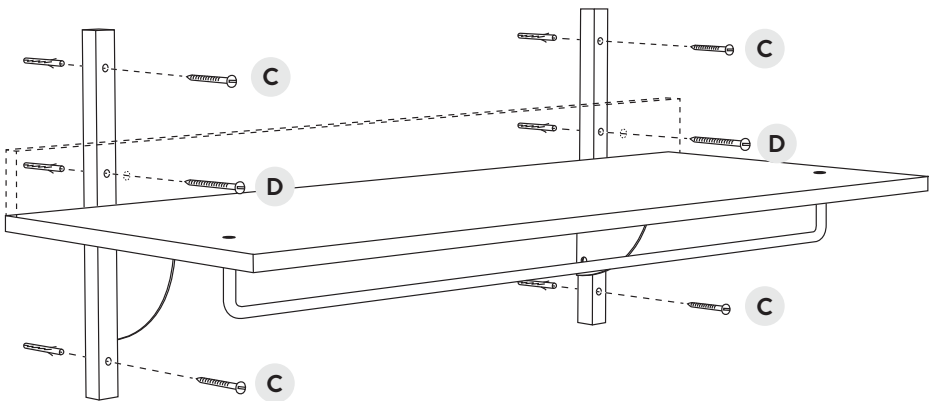
4



Place the shelf on the wall and mark the holes with a screw. Then drill 6 holes with a 5mm drill.
(Recommended: use a spirit level.)

Assembly Process

5



Mount the shelf on the wall with 6 rawlplugs and 6 screws (4x C and 2x D).

fermliving.com