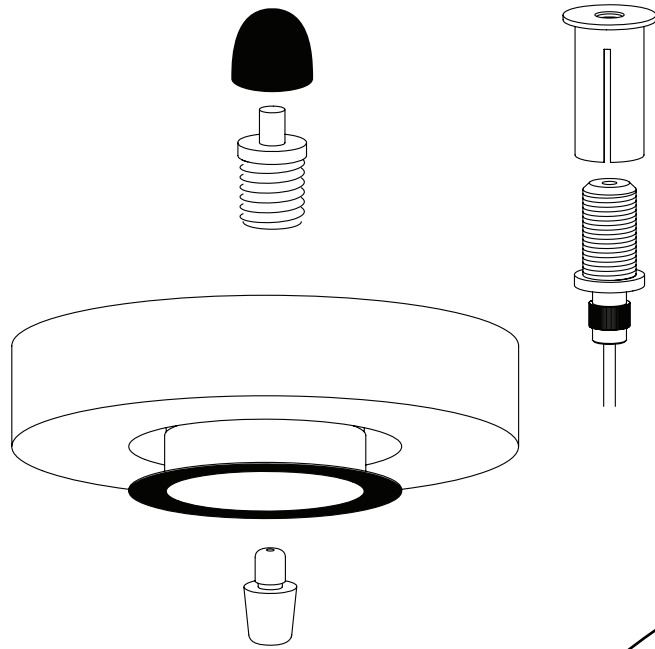


Content of Box



Assembly Instructions

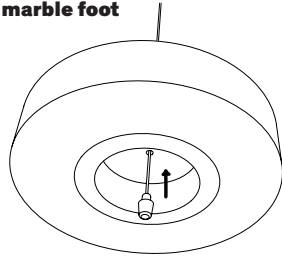
# BRIGHT HELIO

## IMPORTANT!

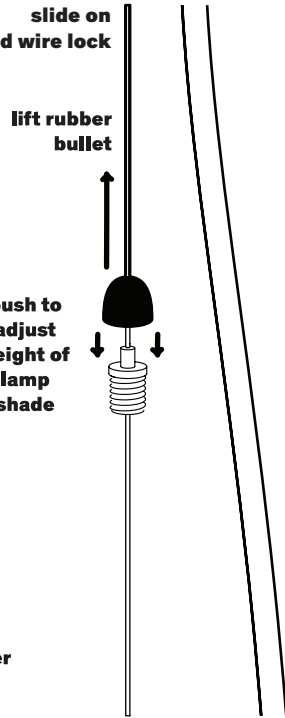
It is crucial to turn off the power to the circuit prior to commencing any installation work. In certain nations, installation work related to electricity may solely be performed by an authorized electrical contractor. For guidance, reach out to your local electricity authority.

NORDIC TALES  
SCANDINAVIAN DESIGN TRADITIONS

**1** pull wire through the marble foot



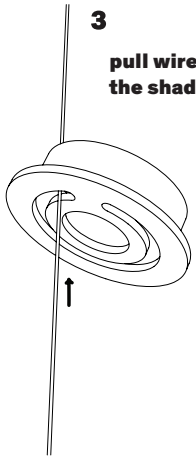
**2** slide on bullet and wire lock



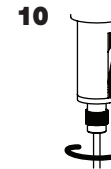
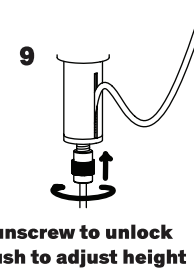
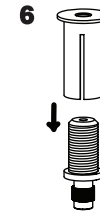
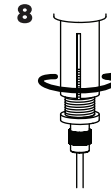
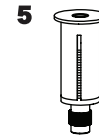
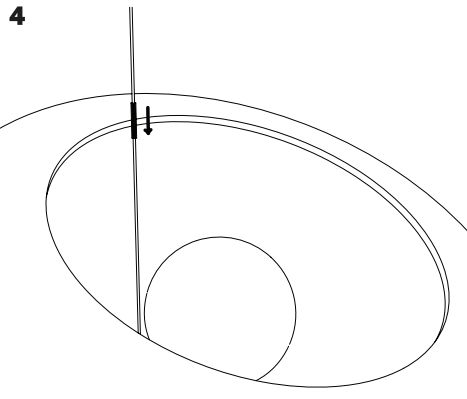
lift rubber bullet

push to adjust height of lamp shade

**3** pull wire through the shade



carefully slide rubber tube in place  
NB! final height can be adjusted later



**IMPORTANT!**  
Make sure to use a screw that is compliant with your ceiling

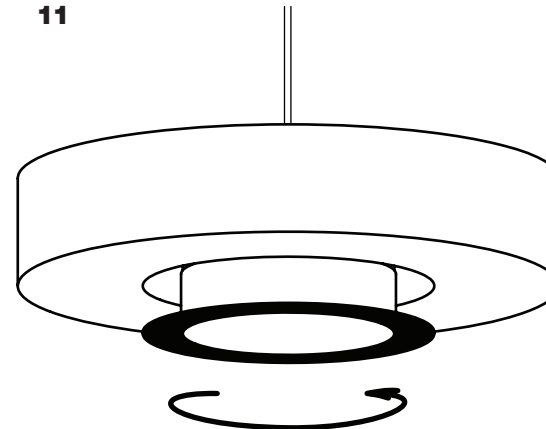
mount to ceiling

cut wire with a pincer

screw to lock

unscrew to unlock  
push to adjust height

**11**



adjust height in order to suspend wire properly

# BRIGHT HELIO

Please visit [Nordic-tales.com](http://Nordic-tales.com) for more technical information or contact [customerservice@nordic-tales.com](mailto:customerservice@nordic-tales.com)

NORDIC TALES  
TOP FLOOR  
BRAMMERSGADE 6  
AARHUS  
DENMARK

220-240V-50Hz, E27 Max 20Watt



**NORDIC TALES**  
SCANDINAVIAN DESIGN TRADITIONS