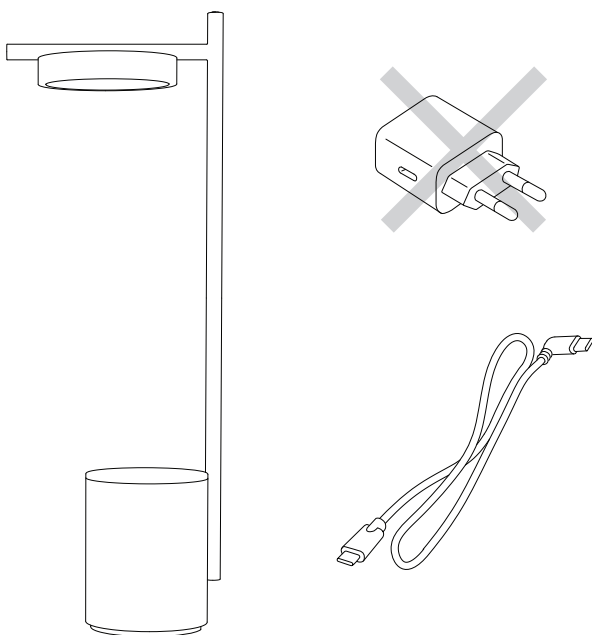


Igram Portable Table Lamp



Grupa Studio d.o.o.
Popa Dukljanina 1
10000 Zagreb, Croatia, EU
info@grupa.com

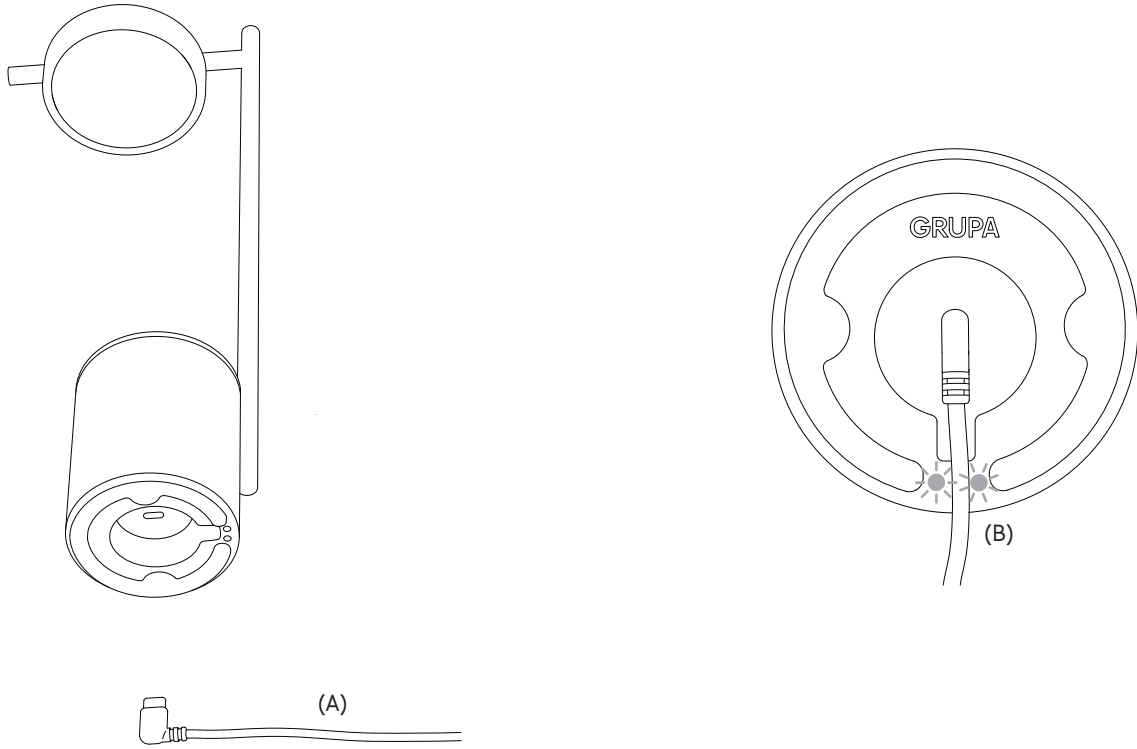
GRUPA.COM



Two different variants, I and J shape.

The lamp is delivered fully assembled. Packaging contains the lamp and USB-C to USB-C charging cable. Charging adapter is not included.

| | |
|-----------------------|-----------------------|
| Rated input power | 5V DC @ 2.4A |
| Charging time | 5 h with fast charger |
| Light source | LED 4.2 W |
| Light emission | 358 lm |
| Color temperature | 2700 K |
| Color rendering index | ≥ 90 |
| Degree of protection | IP 44 |



Before first use, the battery in the lamp must be fully charged. Plug the charging cable (A) into the USB-C port on the bottom of the lamp and connect it to a power supply.

When charging, red indicator lights (B) will appear on the lamp base. When the lamp is fully charged the red lights will turn green. Charging time is 5 h with fast charger (min 2.4 A).

| | 1st tap | 2nd tap | 3rd tap | 4th tap |
|-----------|---------|---------|---------|---------|
| Intensity | 100% | 45% | 15% | OFF |
| Autonomy | 8 h | 17 h | 62 h | |

Important

The safety of this product can only be guaranteed if these instructions are observed during use. We advise keeping these instructions. Do not disassemble this product. This product has been carefully handmade and due to the nature of such work please allow slight variations in the surface of the material. Grupa declines all responsibility for products that are modified without prior authorization.

Warning

Avoid using sharp objects as they may scratch the surface permanently. Always pay attention to the luminaire balance, do not place it on uneven surfaces. Regularly check that there is no damage to parts and cable.

Battery

Battery-operated product intended for battery use only. Battery ability to hold a charge inevitably deteriorates over time. Replaceable lithium-ion battery can be purchased from Grupa upon request.

Low power mode

Low-battery mode is triggered when the battery charge drops to 10%. The light intensity automatically drops to 15% of the current intensity, and lasts up to 2 hours.

Environment

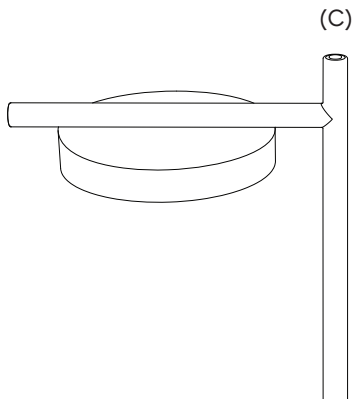
This product is for indoor and outdoor use. The lamp is resistant to splashes, light rain and dirt. Do not immerse this product into water.

Cleaning

Powder-coated surfaces should be cleaned with aqueous solutions made from pH-neutral detergents or cleaning products and soft, non-abrasive cloths, rags or industrial cotton batting. Always clean metal surfaces gently and without scrubbing so that the surface is not scratched. Never use cleaners containing granular substances, acetic acid or citric acid.

Disposal

Do not throw this product in regular household trash but in a proper waste disposal.



Tap the touch dimmer switch (C) to adjust light intensity.