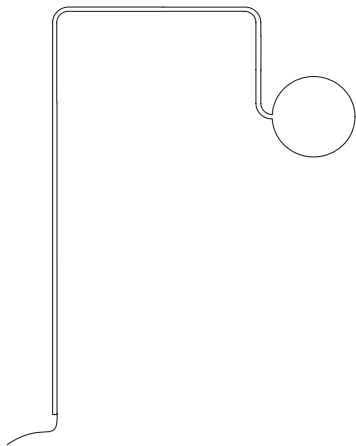


ASSEMBLY INSTRUCTION

Mercury



WOUD

SAFETY INSTRUCTIONS



**DISCONNECT POWER BEFORE
INSTALLATION OF THE LUMINAIRE.**

**IF THE EXTERNAL FLEXIBLE CABLE OR CORD OF THIS
LUMINAIRE IS DAMAGED, IT SHALL BE EXCLUSIVELY
REPLACED BY THE MANUFACTURER OR SIMILAR
QUALIFIED PERSON IN ORDER TO AVOID A HAZARD.**

THE LAMP IS ONLY INTENDED FOR INTERIOR USE.

LAMP EXTERIOR CAN GET HOT AFTER PROLONGED USE.

**ENSURE BULB HAS FULLY COOLED BEFORE
ATTEMPTING TO REMOVE IT.**

PROTECT FROM CONTACT WITH LIQUIDS.

**DO NOT PLACE THE CABLE IN REACH OF SMALL
CHILDREN OR ANYWHERE THERE IS A RISK OF
FALLING OVER IT.**

THE MERCURY WALL LIGHT IS DESIGNED IN
THE GREY ZONE BETWEEN ART AND DESIGN.
WHEN THE LIGHT IS ON, MERCURY GLOWS
AS A BEAUTIFUL ECLIPSE. ON THE SHADE,
MERCURY CAN BE DIMMED TO CREATE A
MUTED AND ATMOSPHERIC LIGHT AND THE
GRAPHIC EXPRESSION OF THE LAMP
CREATES A WORK OF ART WHETHER THE
LIGHT IS ON OR OFF.

Holdgaard
JEANETTE HOLDGAARD

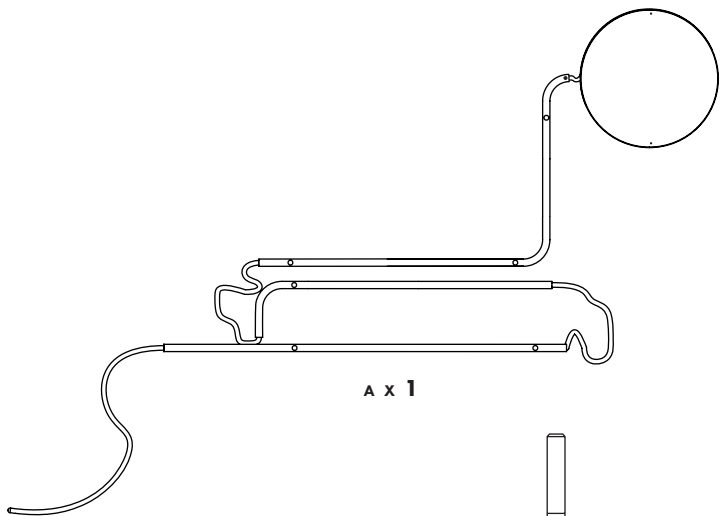
TAKE CARE

**WE HAVE NOW HANDED OVER
ONE OF OUR DARLINGS TO YOU.
NOW IT IS YOURS. TAKE GOOD
CARE OF IT. YOU CAN READ THE
CARE INSTRUCTIONS FOR ALL
OUR MATERIALS AT OUR WEBSITE.**

WOU.DK/TAKECARE

ASSEMBLY INSTRUCTION

**PLEASE GO THROUGH THE FOLLOWING
STEPS CAREFULLY. RETAIN THIS MANUAL
FOR FUTURE REFERENCE TO ENSURE THAT
YOUR NEW ITEM IS CORRECTLY ASSEMBLED
IN CASE IT SHOULD BE DISASSEMBLED OR
MOVED. WE ARE NOT RESPONSIBLE FOR
ANY FAULTS OR DAMAGES CAUSED BY
NOT FOLLOWING THESE INSTRUCTIONS
CORRECTLY.**



A X 1



B X 2



C X 2



D X 6



E X 6

PREMOUNTED
ON THE SHADE



F X 1

M4 SCREW



G X 1

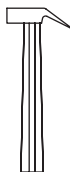
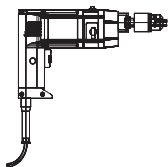
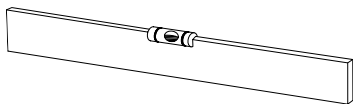


H X 1

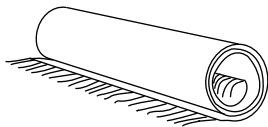
TOOLS NEEDED

PREFERABLE BULB: MAX. 5W G9 DIMMABLE OR 3,5W G9 DIMMABLE
CAN ALSO BE USED (WARM WHITE : 2700-3000 K).

THESE BULBS ARE NOT INCL. AND CAN BE PURCHASED IN THE SHOPS.



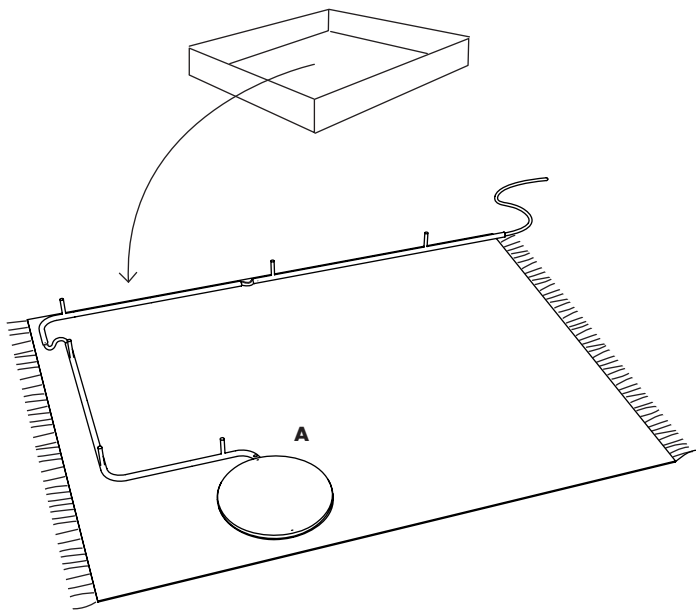
6 X WALL
PLUGS
NOT INCL.



4 X G9 5W OR 3.5W
DIMMABLE BULBS
NOT INCL.

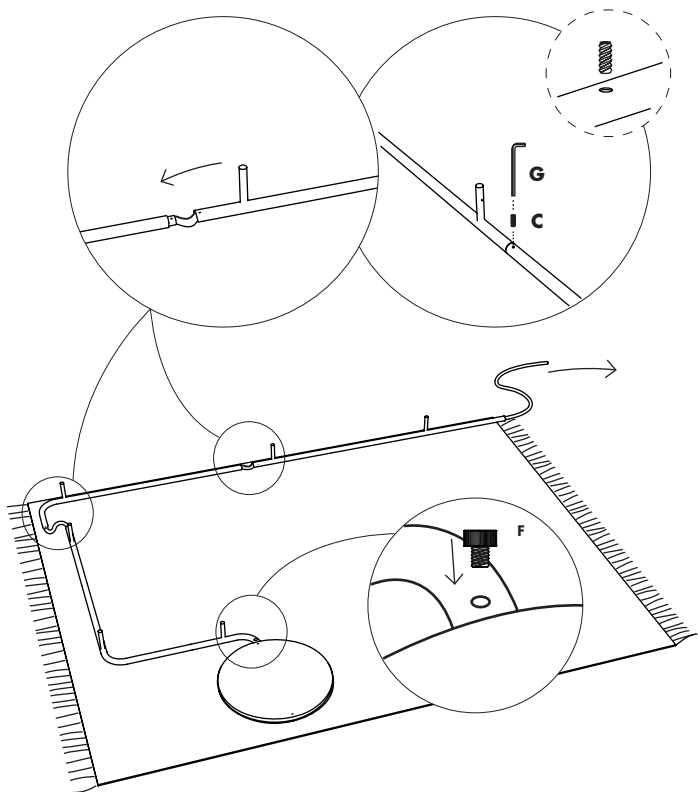
STEP 1

WE RECOMMEND THAT YOU PLACE THE WALL
LIGHT ON A CARPET/RUG DURING ASSEMBLY.



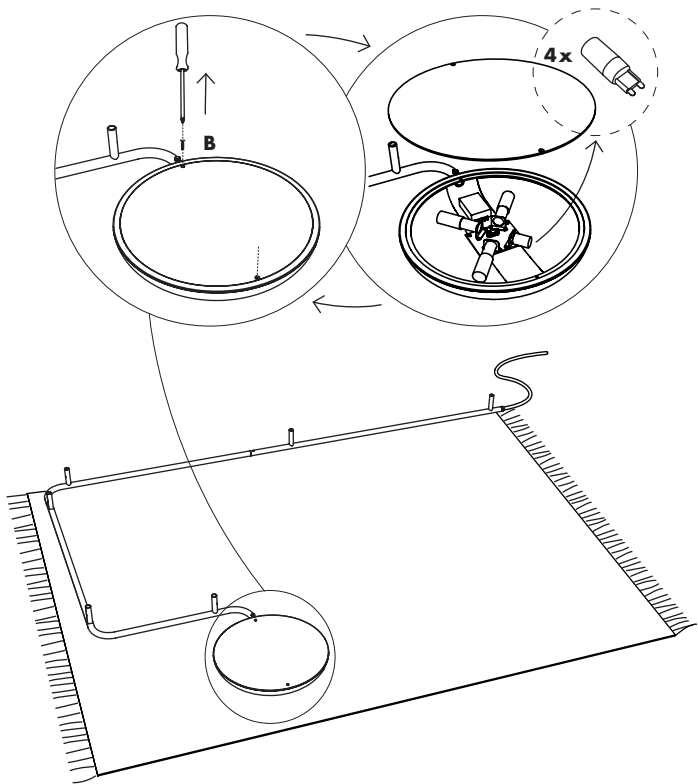
STEP 2

PULL THE CORD TO CONNECT THE TUBULAR METAL FRAME.
MAKE SURE TO ALIGN THE TUBES BEFORE APPLYING THE
LOCK SCREWS WITH THE HEX KEY.
MOUNT THE SHADE TO PIPE WITH THE M4 SCREW.



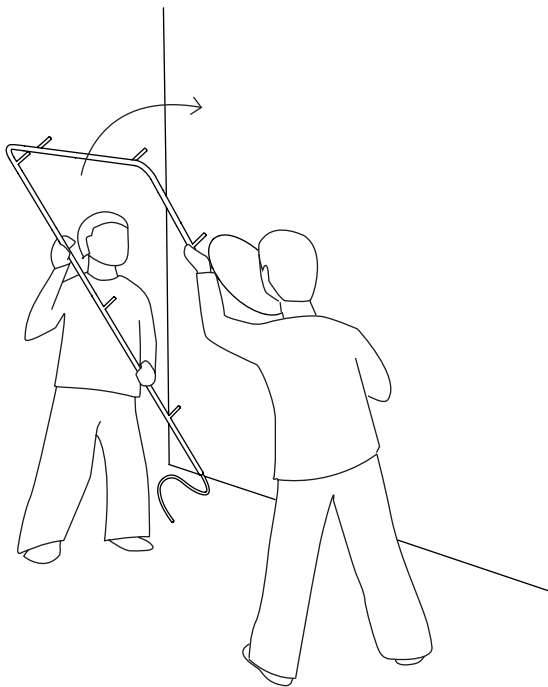
STEP 3

UNSCREW THE DEFUSER ON THE BACK OF THE LAMPSHADE.
ADD THE G9 LED DIMMABLE BULBS.
THE LIGHTBULBS ARE NOT INCLUDED, BUT ARE STANDARD BULBS IN SHOPS.



STEP 4

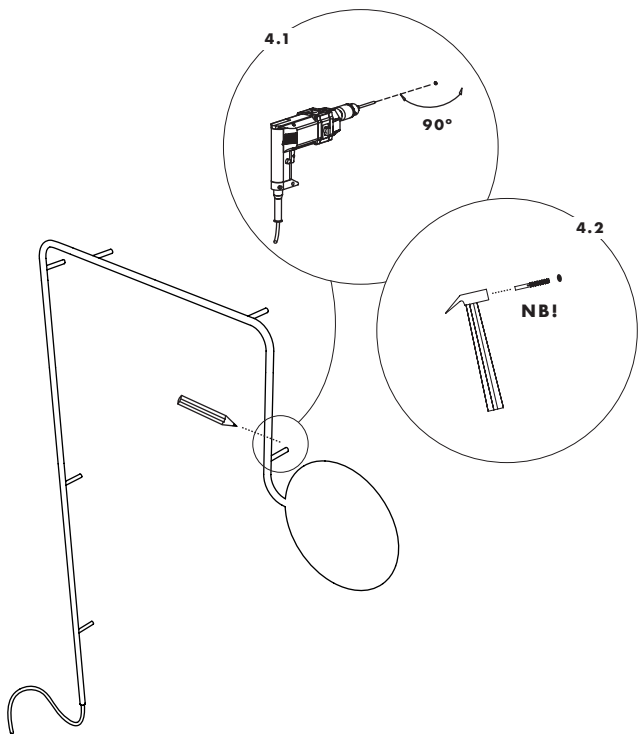
WE RECOMMEND THAT THE REST OF THE STEPS
ARE CARRIED OUT BY MIN. 2 PERSONS.



STEP 5

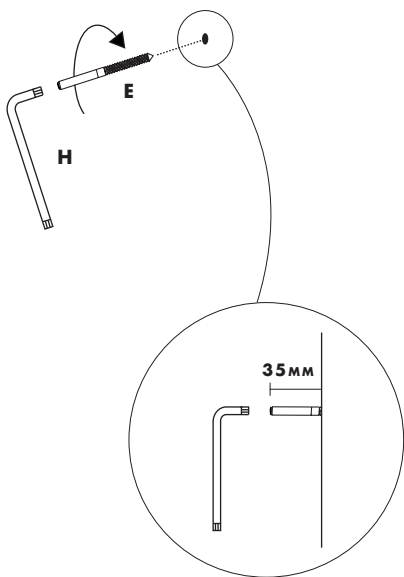
MARK THE FIRST SPOT AND DRILL A HOLE.
MAKE SURE TO DRILL AT A 90° ANGLE.

NOTICE! WALL PLUGS ARE NOT INCLUDED.
APPLY SUITABLE WALL PLUGS FOR YOUR WALL.



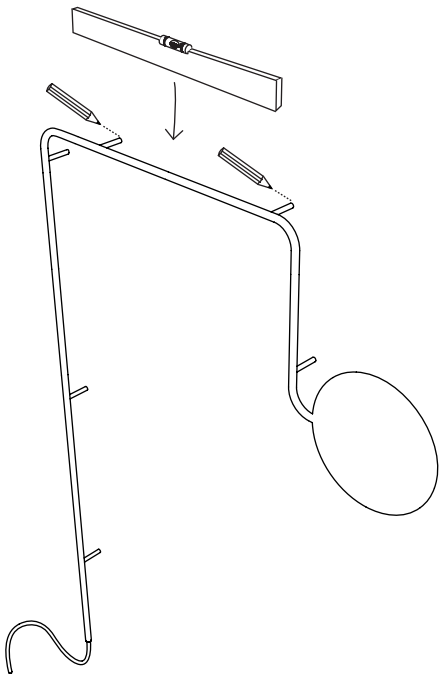
STEP 6

MOUNT THE SCREW WITH THE HEX KEY.



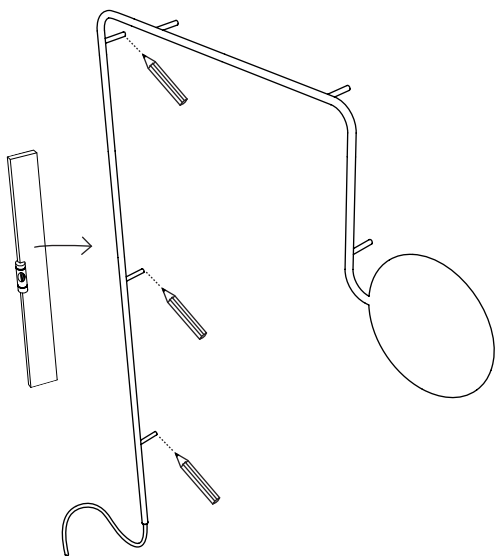
STEP 7

PLACE THE WALL LIGHT ON FIRST SCREW AND MARK THE TWO NEXT SPOTS. CHECK THE LEVEL BEFORE REPEATING THE STEPS IN STEP 4 + 5



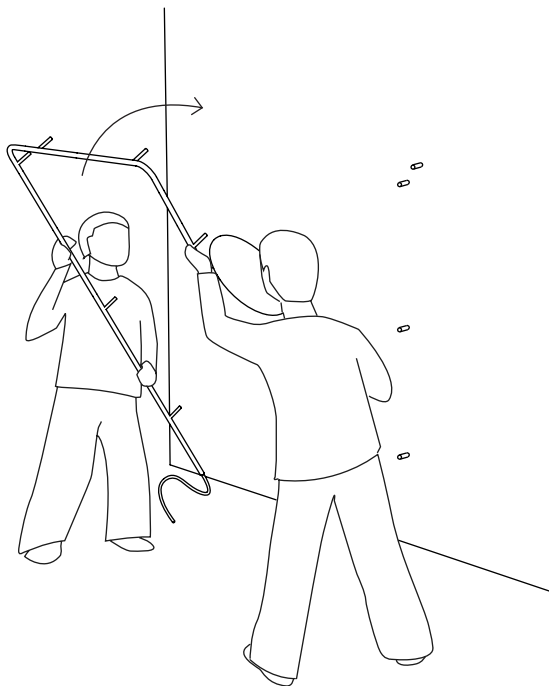
STEP 8

PLACE THE WALL LIGHT ON FIRST THREE SCREWS AND MARK THE LAST SPOTS. CHECK THE LEVEL BEFORE REPEATING THE STEPS IN STEP 4 + 5



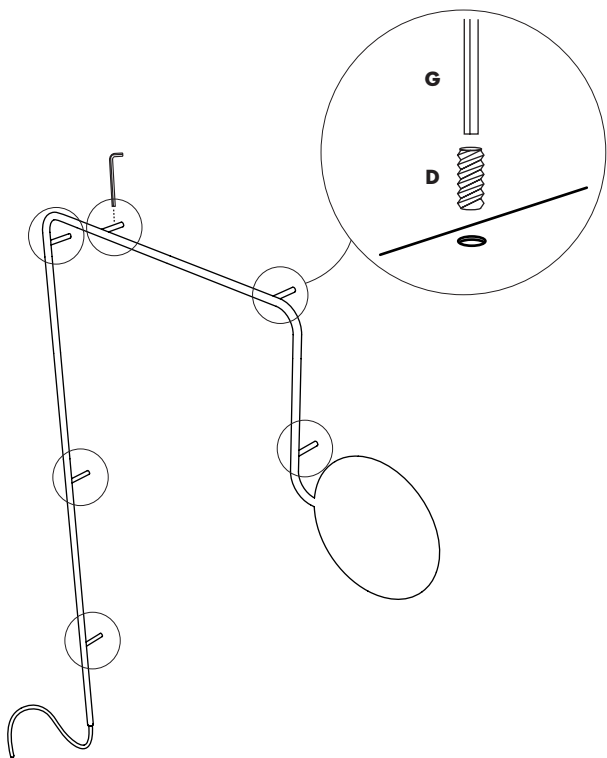
STEP 9

MOUNT THE WALL LIGHT ONTO THE SCREWS ON THE WALL



STEP 10

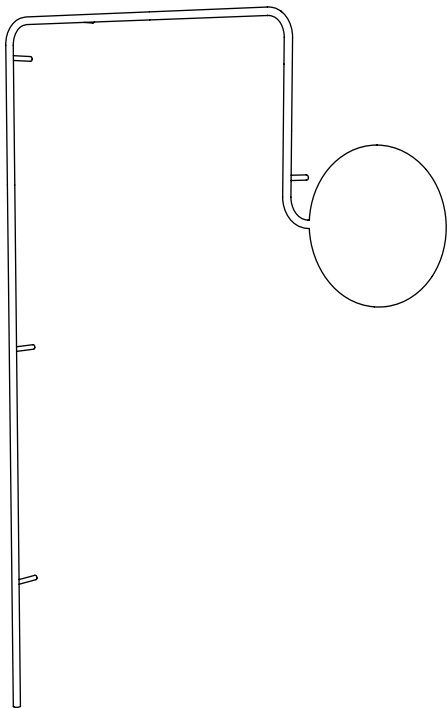
APPLY THE SMALL LOCK SCREWS TO MOUNT THE
WALL LIGHT ONTO THE SCREWS IN THE WALL



STEP 11

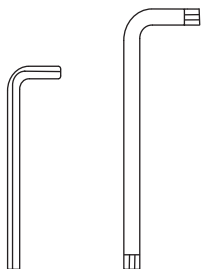
PUT THE PLUG IN THE POWER SOCKET.

TURN ON/OFF AND DIM THE LIGHT BY TOUCHING
THE SMALL BUTTON ON THE SHADE.



STEP 12

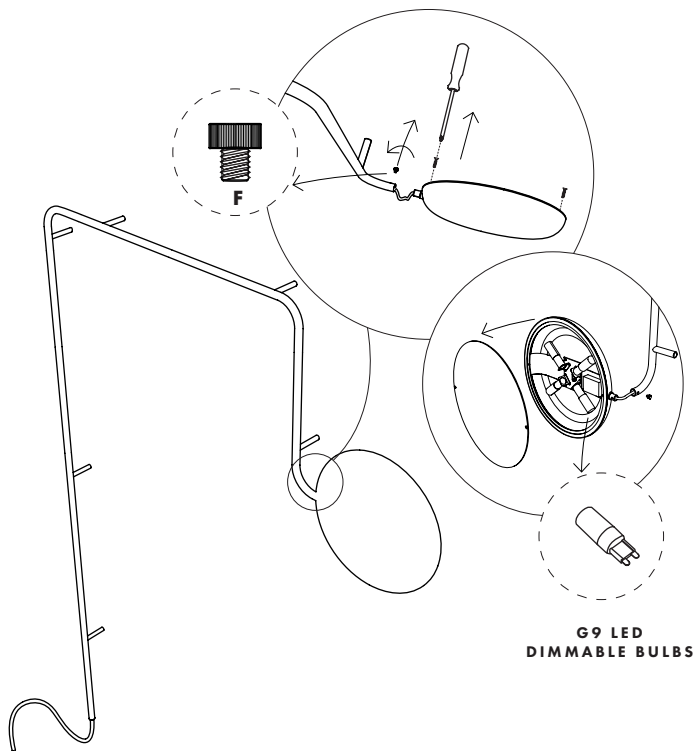
WE RECOMMEND THAT YOU KEEP THE HEX KEYS IN CASE THE WALL LIGHT SHOULD BE DISASSEMBLED AND MOVED.



STEP 13

IF YOU NEED TO CHANGE A BULB, PLEASE SEE THE FOLLOWING STEPS.
UNSCREW THE M4 SCREW TO DISATTACHED THE LAMP SHADE, DO THIS BY HAND
(REMEMBER TO HOLD ON TO THE LAMPSHADE).
UNSCREW THE SCREWS THAT HOLDS THE LIGHT DIFFUSER WITH A SCREWDRIVER.
NOW CHANGE THE BULB.

REVERSE THE PROCESS TO INSTALL THE LAMP SHADE AGAIN.



**G9 LED
DIMMABLE BULBS**

DESIGNED BY
JEANETTE HOLDGAARD