

BROKIS®

CM12191

KNOT

UOVO - PC1018



COMPONENTS OF PACKAGING:

- 1x assembled light
- 1x ceiling bracket with electronics
- 1x ceiling canopy
- 2x hex screws (M6)
- 1x hex key size 2
- 1x hex key size 2,5
- 1x hex key size 3
- 1x cotton gloves
- 1x installation manual

WARNING:

Installation must be carried out by a qualified electrician only.

Switch off power at main circuit panel prior to installation!

The manufacturer assumes no liability for damage occurring in transport or resulting from incorrect installation.

Instalation time: 30 minutes / 2 persons



BROKIS®

BROKIS S.R.O.
ŠPANILOVA 1315/25
163 00 PRAHA 6 - ŘEPY
CZECH REPUBLIC

ORG. ID 64940799
VAT ID CZ64940799
C 42174 MĚSTSKÝ SOUD
V PRAZE

TEL +420 567 211 517
TECHNICAL@BROKIS.CZ
INFO@BROKIS.CZ
WWW.BROKIS.CZ



CLEANING THE GLASS (2 persons)

BROKIS applies the highest possible quality standards in manufacturing its lights. Prior to shipping, each light undergoes several quality controls and stages of cleaning. Lights may require additional cleaning as a result of transportation, storage, and the amount of time that passes between packing in our plant and subsequent unpacking by the client. Therefore, we emphasize cleaning the lights prior to installation.

The glass must first be rinsed in hot water, with a dilution of a dish-detergent used to remove all foreign particles and dust. Eventually repeat this basic treatment, if necessary. Afterwards the glass must have a second cleaning using hot water, with a dilution of a de-greaser (such as ammonia or vinegar). The glass must then be thoroughly rinsed with running hot water. Eventually repeat this treatment, if necessary. The glass is then thoroughly dried with a paper towel or a clean soft cotton towel. Only re-assemble the glass to the lamp body, when completely cooled down.

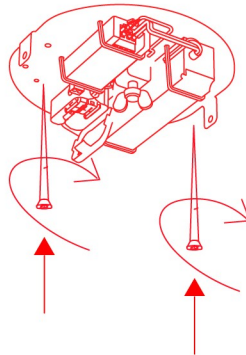
Do not use mineral spirits, highly concentrated thinners, or other substances not intended for use on glass surfaces. Also: do not use products, containing silicones – since they will rapidly attract more dust and grease.

PRIOR TO SHIPPING, THE FUNCTIONALITY OF EACH LIGHT AND ITS COMPONENTS IS THOROUGHLY TESTED. THE MANUFACTURER ASSUMES NO LIABILITY FOR THE MISHANDLING OF PRODUCTS.



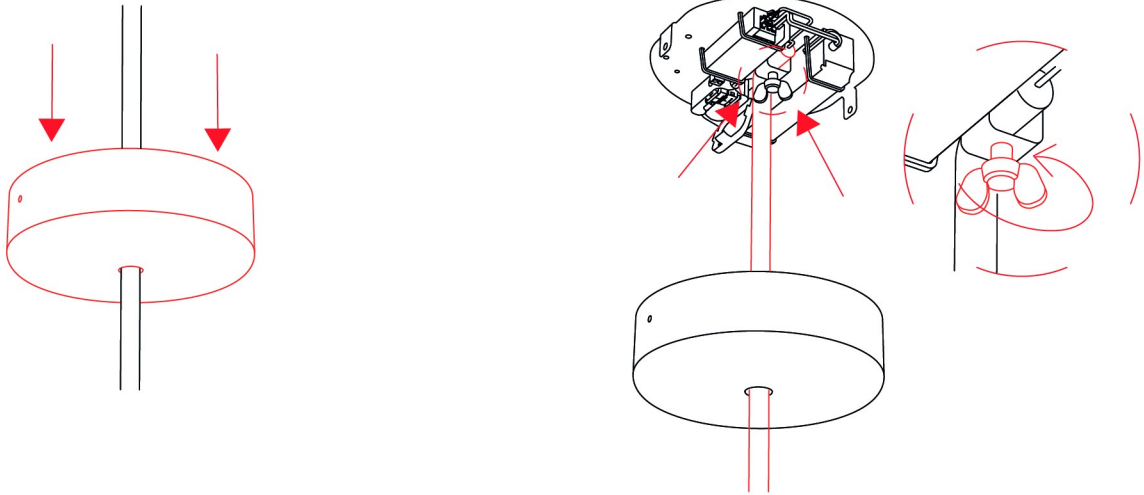
1. INSTALLING THE CEILING BRACKET

Choose anchors of sufficient strength (not included) and secure the ceiling canopy bracket to the ceiling. With regard to various types of ceilings, we recommend consulting installation with an expert. The manufacturer assumes no liability for incorrect installation or defects in the material to which the brackets are secured.



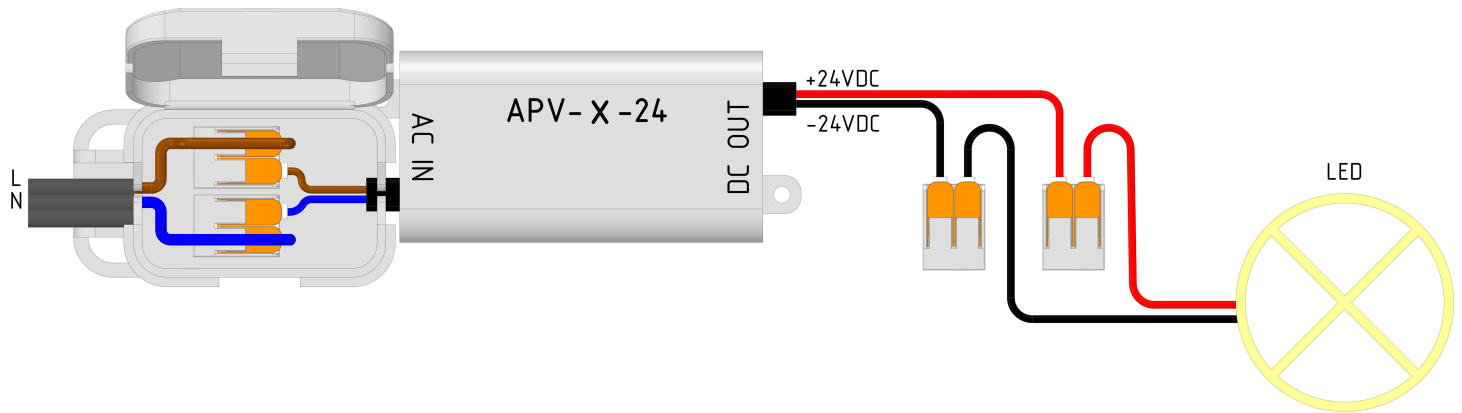
2. INSTALLING THE LIGHT

Pass the rope with integrated power cable through the ceiling canopy with the hollow side of the canopy facing upwards. Then pass the rope through the hanger in the centre of the ceiling bracket. The rope should extend from the hanger by approximately 5 cm. Secure by tightening the wingnut with 1.5 Nm of force.



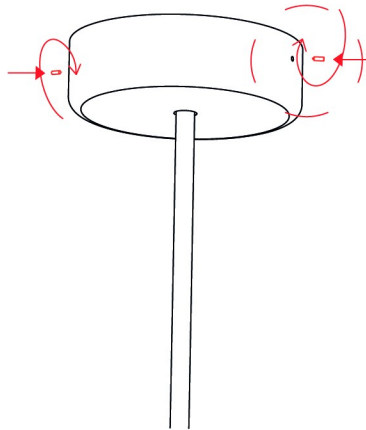
3. CONNECTING THE LIGHT TO THE BUILDING WIRING – KNOT

Connect the light to the building wiring according to the connection diagram.



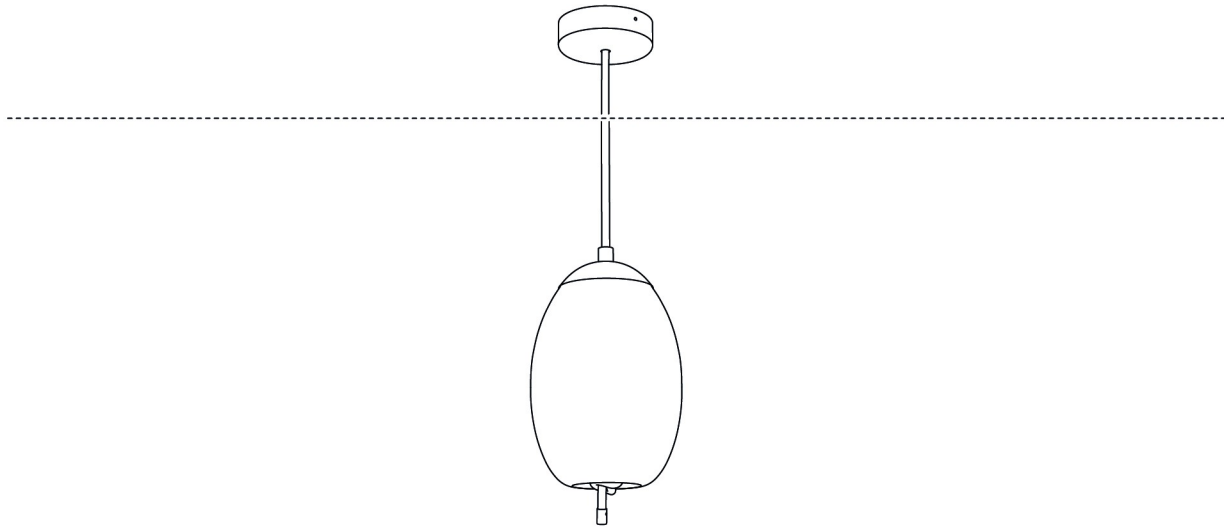
4. INSTALLING THE CEILING CANOPY

Using the two hex screws (M6) and the hex key, secure the ceiling canopy to the bracket. Do not sink the screws into the ceiling canopy – we recommend installing them so that they extend from the ceiling canopy by at least 1 mm.



5. SWITCHING ON THE LIGHT

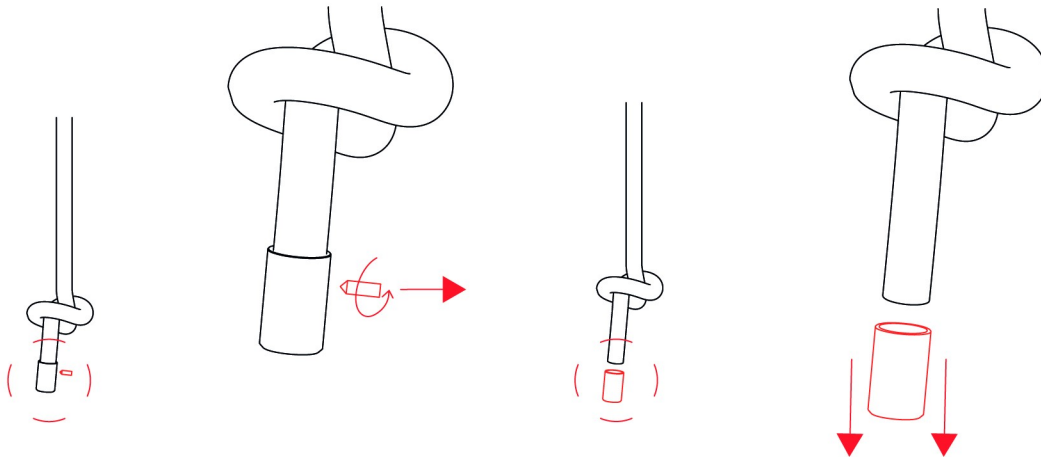
Restore power at the main circuit panel and verify that the light works properly.



6. CLEANING/DISASSEMBLING AND REMOVING THE GLASS

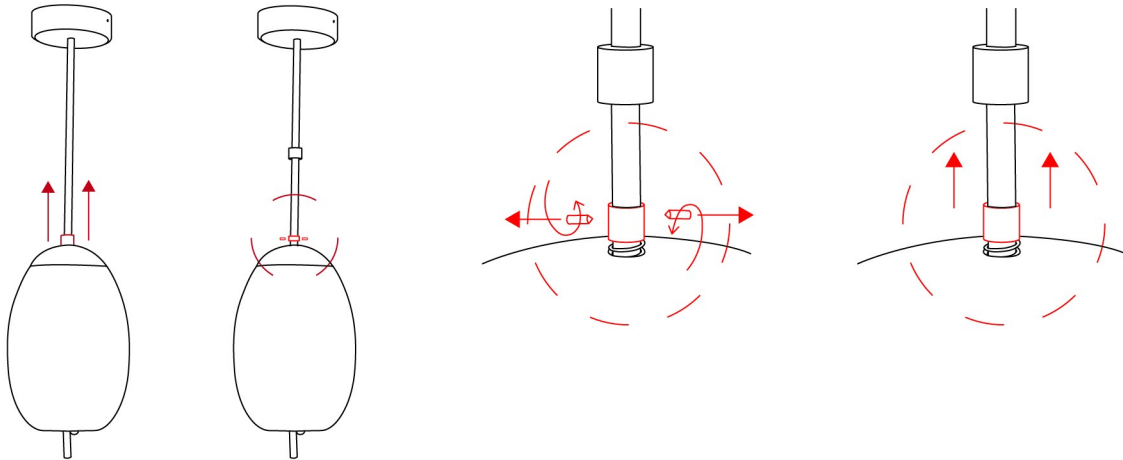
! CLEAN THE INNER PARTS OF THE LIGHT ONLY AFTER IT HAS BEEN TAKEN DOWN AND DISASSEMBLED !

Using the included hex key, remove the hex screws from the rope end cap. Remove the cap and leave the end of the rope exposed.



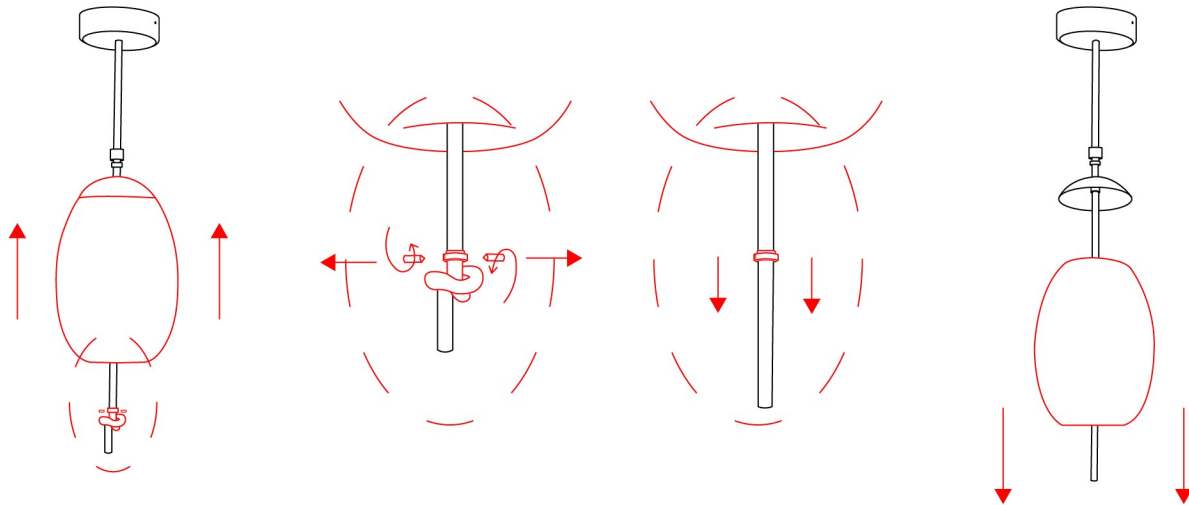
7. CLEANING/DISASSEMBLY AND REMOVING THE GLASS 1/2

Expose the spring mechanism in the top of the light by raising the cover up the rope approximately 20 cm. The spring is held under tension by a stainless-steel lock with two M4 hex screws. Completely remove these screws by turning them counterclockwise until the spring pushes the lock out of the top of the light. Raise the lock and spring up the rope to the cover. The light assembly is now completely loose and unstable.



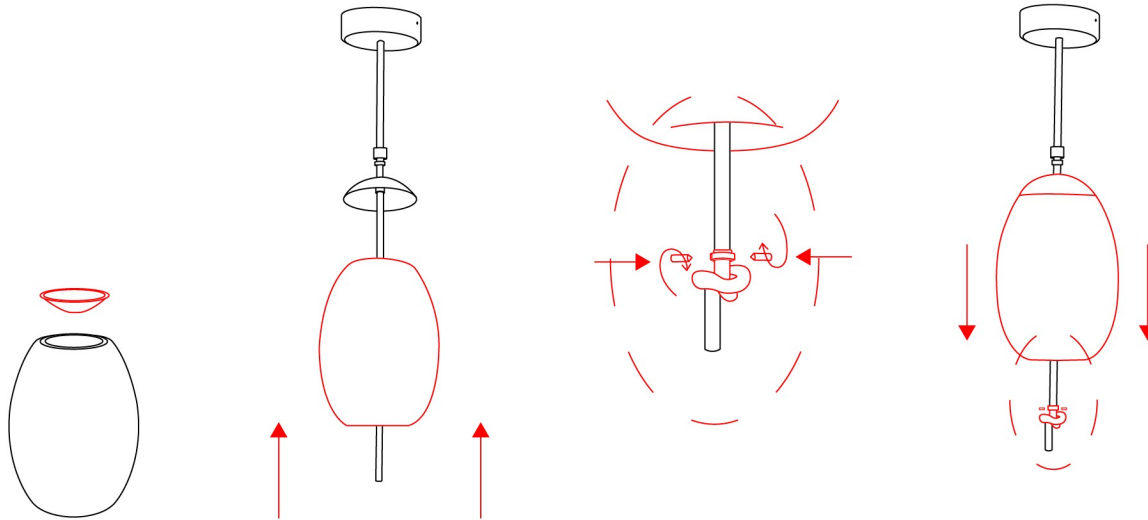
8. CLEANING/DISASSEMBLY AND REMOVING THE GLASS 2/2

Raise the entire light assembly along the rope to the spring (approx. 20 cm). Untie the knot and remove the two set screws from the metal ring. Slide the metal ring off the rope and then remove the glass shade with glass diffuser. The metal top and light source will remain hanging on the rope. You can now clean the glass components.



9. REASSEMBLING THE LIGHT

Place the glass diffuser on the glass shade and carefully thread these components back onto the rope. To make this step easier, first straighten the end of the rope where the knot was. Begin by passing the rope through the opening in the glass diffuser and then through the opening (dimple) in the bottom of the glass shade. Finally, slide the metal ring back onto the rope up to the transparent shrink tube. Secure the metal ring with the two set screws. Position the metal top cap with light source on the glass shade. Align all these components until they fit together snugly and ensure the light is positioned correctly. Lower the lock with spring and insert the spring into the metal top cap. Depress the lock as far as it will go and secure it with the two set screws, sinking them slightly beneath the surface of the lock to prevent them from blocking the cover. Lower the cover onto the lock. Tie a knot in the rope beneath the light as close as possible to the metal ring.



10. BALANCING THE LIGHT

The light is balanced by rotating the knot and incrementally shifting the metal top in the desired direction. Despite thorough inspection and balancing prior to shipping, each light must be balanced individually following installation. Raise the lock cover approximately 5 cm and leave to hang freely on the rope. Remove the hex screws in the lock and reduce the tension in the spring by allowing it to extend approximately 2 cm. The metal top should still be under enough tension to keep the light assembly stable yet free enough to allow for adjustment. The metal top can now be slightly lifted and shifted until the light is perfectly balanced. Once the light is balanced, compress the spring as far as possible and secure the lock with the two hex screws. Replace the lock cover.

