

KIPP WALL

Kipp Wall - 5743400768

The fixture emits symmetrical light directed downward. The relation between the slightly curved top shade and the angle of the inner opal diffuser ensures a wide non glare light distribution.



Alfred Homann

Alfred Homann grew up in South Zealand, Denmark. In 1976, he graduated as an architect from the Royal Danish Academy of Fine arts in Copenhagen.



Rancho Mirage Medical Center, Rancho Mirage, CA

Product info

Environmental Product Specification

This product is compliant with the requirements contained in the European Directives, RoHS Directive 2011/65 and 2015/863. This product is designed so that 100% of the product can be disassembled and reused.

Information

Delivered with integrated Surge Protection Device (SPD). Driver located in the conical fixture housing. The innovation of the LED technology is constant. The specifications mentioned are based on present technology.

Mounting

Terminal block: 1x3x2.5mm². Cable entries: 2x rear and 2x bottom entries, Ø 20mm. Looping: Approved, max. 3x1,5mm².

Finish

Aluminium coloured with textured surface or graphite grey, powder coated.

Materials

Diffuser: Injection moulded white opal acrylic. Top shade: Die cast aluminium. Enclosure: Injection moulded clear polycarbonate. Frame: Die cast aluminium. Wall box: Die cast aluminium. Arm: Extruded aluminium.

Sizes and weights

Width x Height x Length (mm) | 440 x 540 x 605 Max 7.3 kg

Class

Ingress protection IP55. Electric shock protection I w. ground. IK10.

Light source

LED 3000K 28W

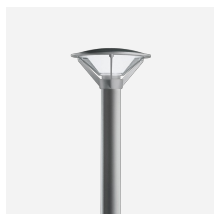
Lumen: 1454

Information

Delivered with integrated Surge Protection Device (SPD). Driver located in the conical fixture housing. The innovation of the LED technology is constant. The specifications mentioned are based on present technology.



Related products



Kipp Bollard



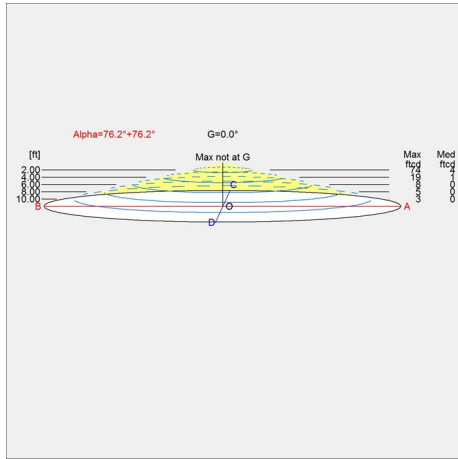
Kipp Post



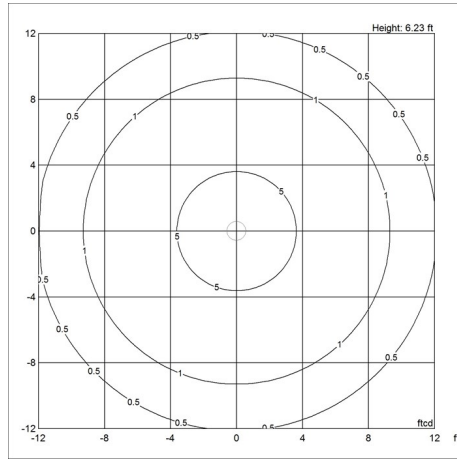
Kipp LED Upgrade Kit

Light distribution diagrams

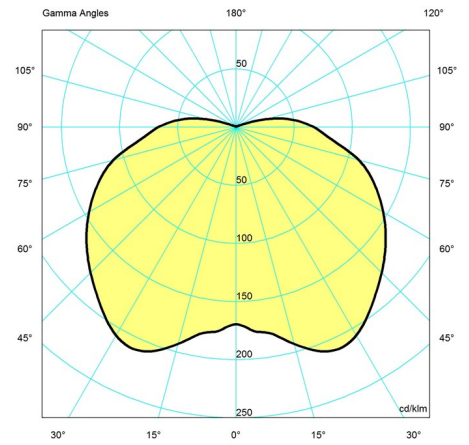
Cartesian



Isolux



Polar



Spare parts & accessories

Product

Kipp Ø440 diffuser inner opal conical
 Kipp Ø440 diffuser clear polycarbonate

Variant number

5747815870
 5747815906

Data specifications

| | | | |
|-------------------------------------|--------------------------|----------------|--------------------|
| Colour | Aluminium colour texture | Length | 605 |
| Width | 440 | Height | 540 |
| IP class | 55 | IK class | 10 |
| Class | I | Net Weight | 7.3 |
| Wind Load (m2) | - | Standby (W) | - |
| Power Factor (P = 100 % / P = 50 %) | 0.92 | Inrush Current | 40A/100µs 0.043A²s |
| Light source | LED 3000K 28W | Kelvin | 3000 |
| CRI | 80 | SDCM | 3 |

Kipp Wall

| | |
|--------------------|-----------------|
| Lumen | 1454 |
| Efficacy | 52 |
| Min. Dim Level (%) | - |
| BUG Rating | B1 U3 G1 |
| Driver life | 65000 |

| | |
|------------------|--------------------|
| Watt | 28 |
| Light control | - |
| Surge Protection | 2 |
| L80B50 (hours) | >100.000 |