

LC SHUTTERS

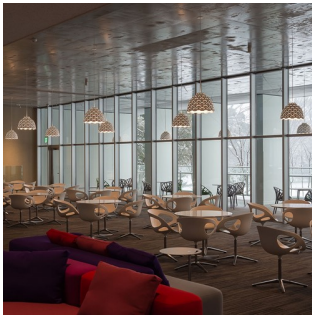
LC Shutters - 5741092903

The fixture emits a primarily downward illumination. The perforated pattern on the shade provides a soft illumination around the fixture. Meanwhile, the perforation helps to lighten up the surface of the shade in a decorative way, when it is turned on, thereby maintaining the contour of the fixture, whether it is on or off. The light source is surrounded by an opal diffuser, which ensures that the fixture is 100% glare-free, and that the fixture is suitable for several types of light sources providing the same light distribution and comfort. And finally, the shape of the diffuser allows a beautiful view into the fixture.



Louise Campbell

Louise Campbell was born in Copenhagen in 1970. Being the daughter of a Danish father and an English mother, she grew up and was educated in both countries. After graduating from the London College of Furniture in 1992, she returned to Denmark and continued her studies in Industrial Design at Denmark's Design School, graduating from here in 1995.



Yokohama College of Dental Care and Health Sciences

Product info

Mounting

Suspension type: Cable 2x1mm². Canopy: Yes. Cable length: 3m.

Finish

White, powder coated.

Materials

Shade: Spun aluminium. Punched and embossed. Suspension: Powder coated die casted aluminium. Diffuser ball: Mouth-blown white opal glass.

Sizes and weights

Width x Height x Length (mm) | 440 x 301 x 440 Max 3.8 kg

Class

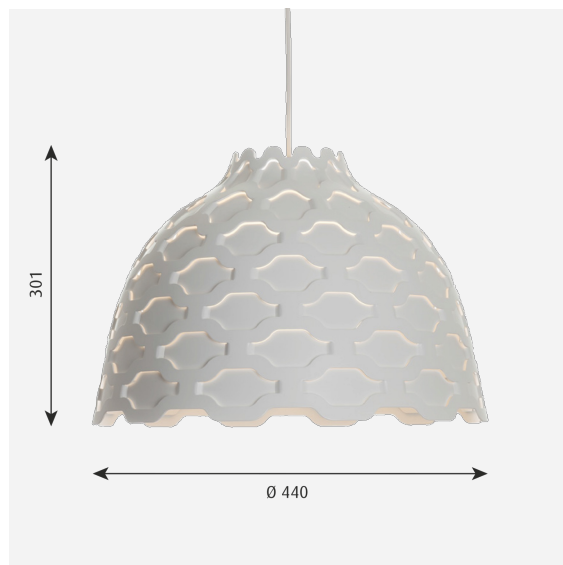
Ingress protection IP20. Electric shock protection II wo. ground.

Specification notes

The innovation of light sources is ongoing. Consequently, we only inform about the maximum wattages. On www.louispoulsen.com we update a list of recommended light sources.

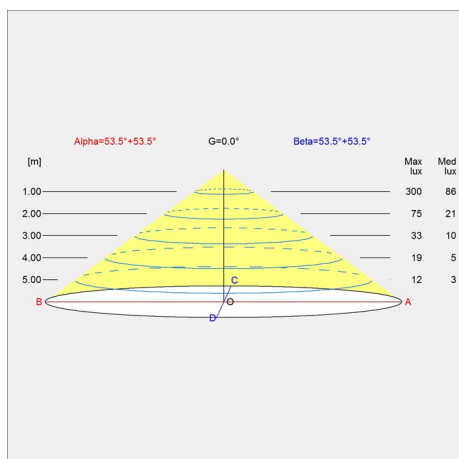
Light source

1x70W E27

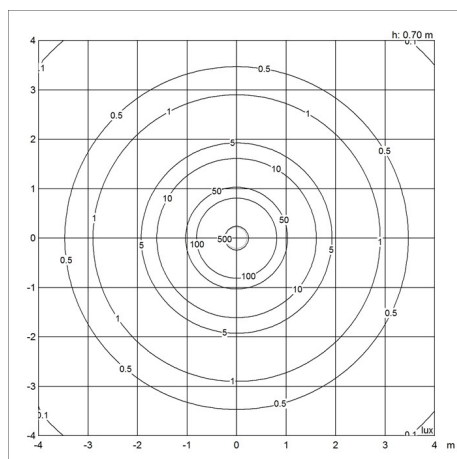


Light distribution diagrams

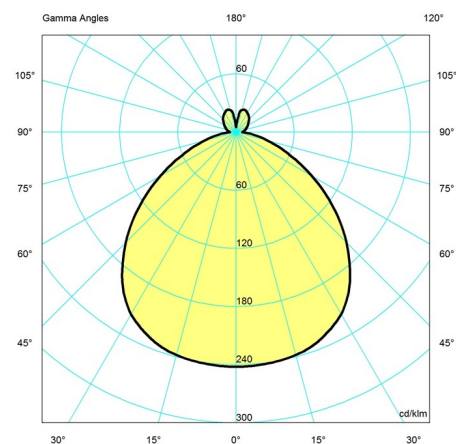
Cartesian



Isolux



Polar



Spare parts & accessories

Product

Canopy White 2-part tophat ©
 LC Shutters 70W suspension V2
 LC Shutters diffuser ball V2

Variant number

5749329034
 5741094626
 5741094639

Data specifications

Colour	White	Length	440
Width	440	Height	301
Built-in Height	-	IP class	20
Class	II	Net Weight	3.8
Standby (W)	-	Power Factor (P = 100 % / P = 50 %)	-
Inrush Current	-	Light source	1x70W E27
Kelvin	-	CRI	-

LC Shutters

SDCM	-	Lumen	-
Watt	-	Efficacy	-
Light control	-	Min. Dim Level (%)	-
UGR Transversal / Axial	16.5/16.5	L80B50 (hours)	-
Driver life	-		