

LP SLIM ROUND SUSPENDED

LP Slim Round Suspended - 5741099566

The slim housing encircles a high-efficient acrylic diffuser emitting diffused primarily downward directed light. The slim body has a slight curvature and an inner curve which reduces contrast. The product family comes in a range of sizes and mounting options for a wide range of applications. Surface mounted and suspended versions have an indirect light component.



**Set location -
KEA**



Product info

Environmental Product Specification

This product is compliant with the requirements contained in the European Directives, RoHS Directive 2011/65 and 2015/863. This product is designed so that 100% of the product can be disassembled and reused.

Mounting

Suspension: Cord 2x0.75 mm², 5m. Driver integrated in canopy.

Finish

White or black, powder coated or clear lacquered, pickled aluminium.

Materials

Reflector: Die cast aluminium. Diffuser: Acrylic, opal. Installation lock: Aluminium.

Sizes and weights

Width x Height x Length (mm) | 248 x 147 x 248 Max 2.7 kg | 438 x 155 x 438 Max 9.7 kg | 679 x 155 x 679 Max 9.7 kg

Class

Ingress protection IP20. Electric shock protection I.

Light source

LED 3000K 13W
Lumen: 1092



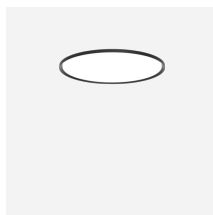
Related products



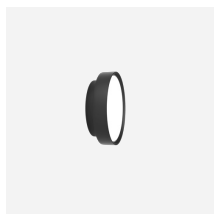
LP Slim Round Semi Recessed



LP Slim Round Surface Mounted



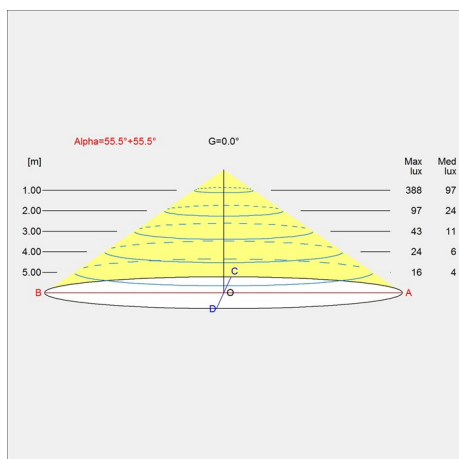
LP Slim Round Recessed



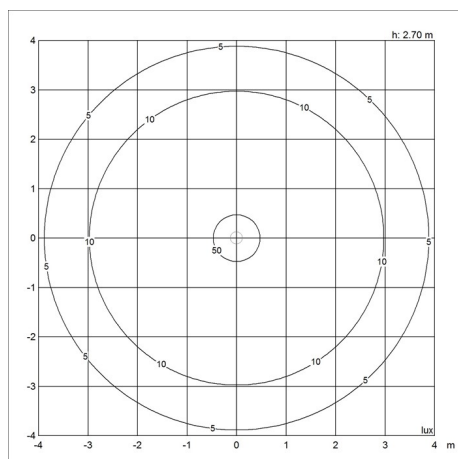
LP Slim Round Wall

Light distribution diagrams

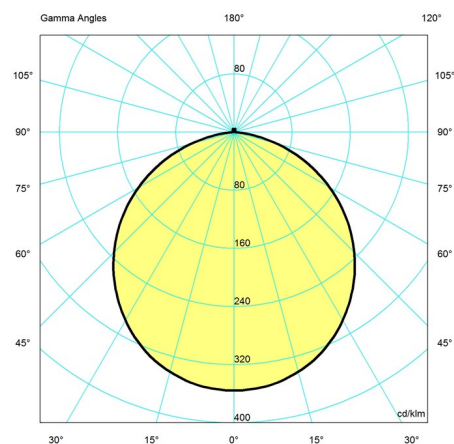
Cartesian



Isolux



Polar



Spare parts & accessories

Product

Slim Round Ø680 diffuser opal
Slim Round Ø250 diffuser opal
Slim Round Ø440 diffuser opal

Variant number

5742584627
5742584737
5742584740

Data specifications

Colour	Black	Length	248
Width	248	Height	147
Built-in Height	-	IP class	20
Class	I	Net Weight	2.4
Standby (W)	-	Power Factor (P = 100 % / P = 50 %)	0,77 / 0,49
Inrush Current	-	Light source	LED 3000K 13W
Kelvin	3000	CRI	90

LP Slim Round Suspended

SDCM	3
Watt	13
Light control	Dali
UGR Transversal / Axial	23.1/23.1
Driver life	100000

Lumen	1092
Efficacy	84
Min. Dim Level (%)	-
L80B50 (hours)	>100