

BROKIS®



CM12231

MONA

FLOOR M, L - PC980, PC949



Download

COMPONENTS INCLUDED WITH UNIT:

- 1× metal base with power cable and switch
- 1× glass shade with light source
- 1× remote control
- 1× hex screw
- 1× hex key
- 1× cotton gloves
- 1× installation manual

WARNING:

The manufacturer assumes no liability for damage resulting from incorrect assembly.

When unpacking the light, do so with regard for its material composition – the main components are made of glass.

Wear the cotton gloves included with the light when unpacking and assembling it.

Installation time: 10 minutes / 1 person



BROKIS®

BROKIS S.R.O.
ŠPANILOVA 1315/25
163 00 PRAHA 6 - ŘEPY
CZECH REPUBLIC

ORG. ID 64940799
VAT ID CZ64940799
C 42174 MĚSTSKÝ SOUD
V PRAZE

TEL +420 567 211 517
TECHNICAL@BROKIS.CZ
INFO@BROKIS.CZ
WWW.BROKIS.CZ



CLEANING THE GLASS

BROKIS upholds only the highest possible quality standards. Prior to shipping, the light undergoes several quality controls and stages of cleaning. Because transportation, storage, and the amount of time that passes between packing at our plant and subsequent unpacking by the client can affect the light in different ways, we strongly recommend cleaning it prior to assembly.

The glass must first be rinsed in warm water, and a dish detergent may be used to remove all foreign particles, dust, and grease. Repeat the process if necessary and then dry the glass thoroughly with a paper towel.

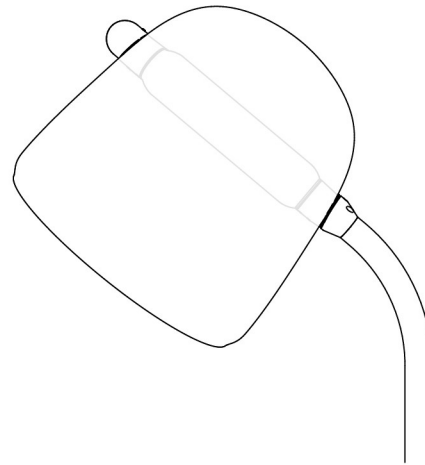
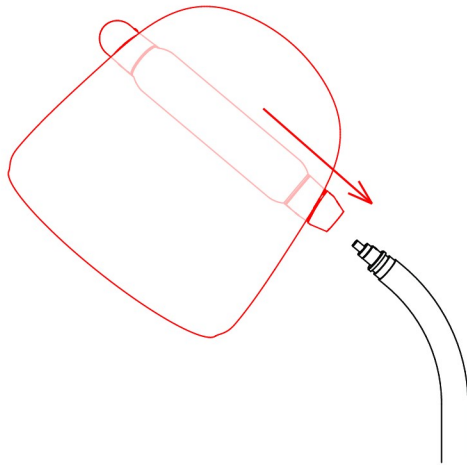
Recommendation: Do not use mineral spirits, highly concentrated thinners, or other substances not intended for use on glass surfaces. Do not use any cleaning agents containing silicone, as they may leave a film and attract dust and smudges.

PRIOR TO SHIPPING, THE FUNCTIONALITY OF EACH LIGHT AND ITS COMPONENTS IS THOROUGHLY TESTED. THE MANUFACTURER ASSUMES NO LIABILITY FOR THE MISHANDLING OF PRODUCTS.



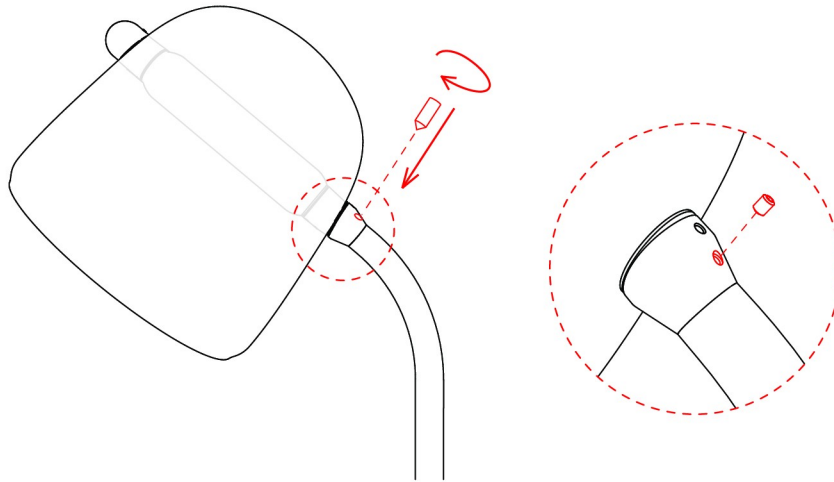
1. ASSEMBLING THE LIGHT 1/2

When unpacking and assembling the light, wear the supplied cotton gloves. Attach the glass shade with light source to the metal base.



2. ASSEMBLING THE LIGHT 2/2

Use the hex screw and hex key to secure the shade with light source to the metal base.

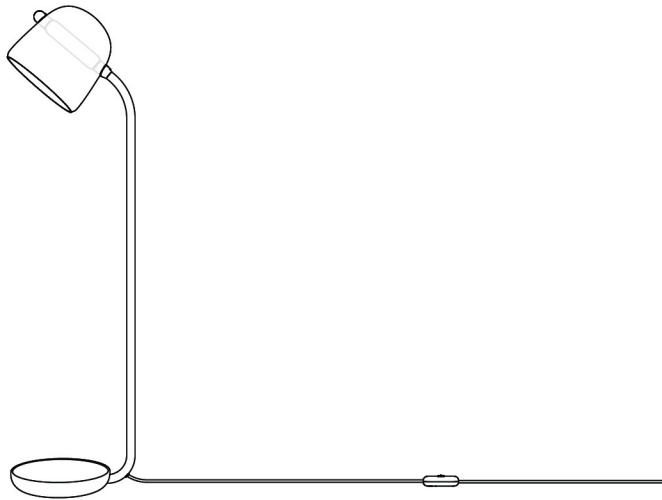


3. CONNECTING THE LIGHT

Plug the power cable into an electrical outlet and verify that the light works properly.

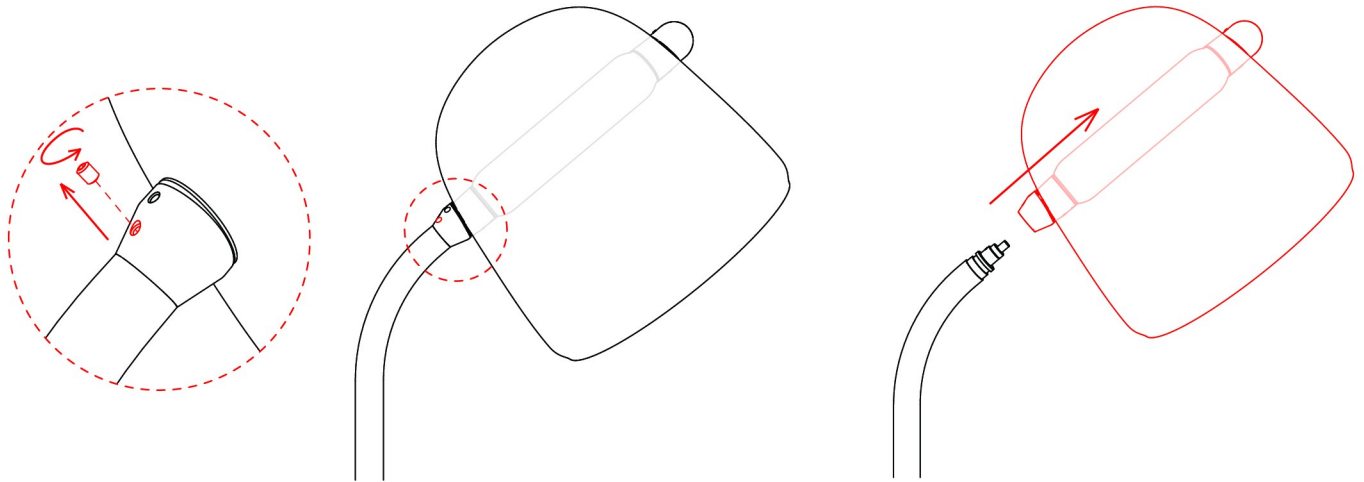
Remote control: Use the remote control to switch the light on and off and adjust the brightness.

Main switch: Use the main switch on the power cable when the light is to remain off for an extended period of time.



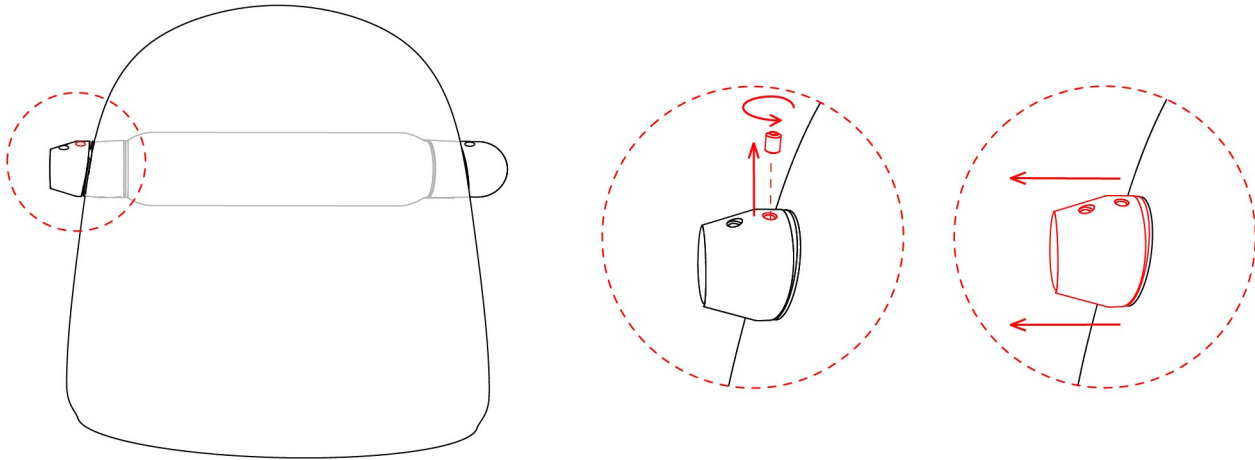
4. DISASSEMBLING THE SHADE/LIGHT SOURCE

Use the hex key to loosen the set screw in the metal fixture and remove the shade with light source.



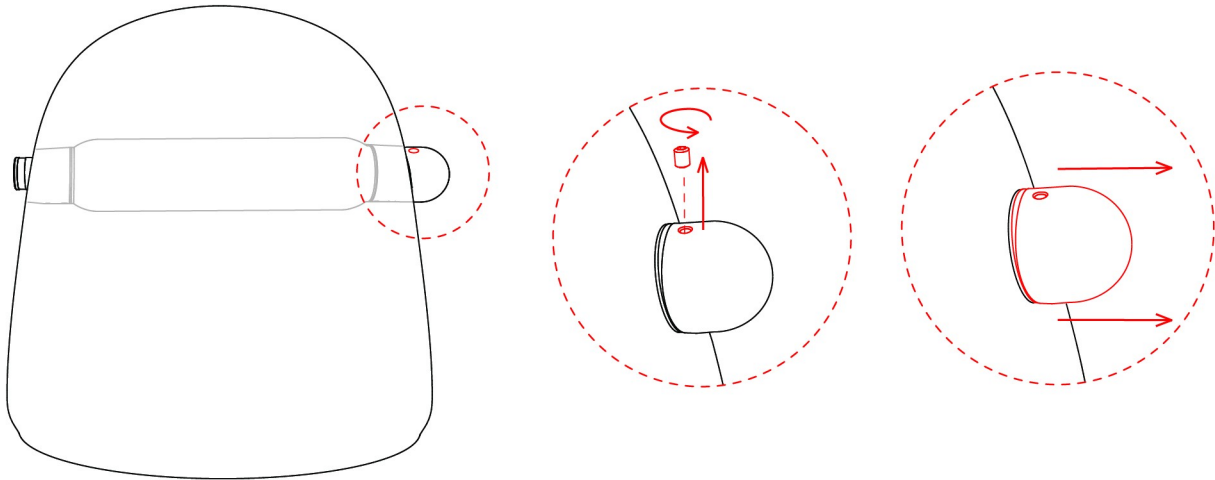
5. REMOVING THE OUTER CAP

Use the hex key to loosen the set screw in the outer cap of the light source and remove the cap.



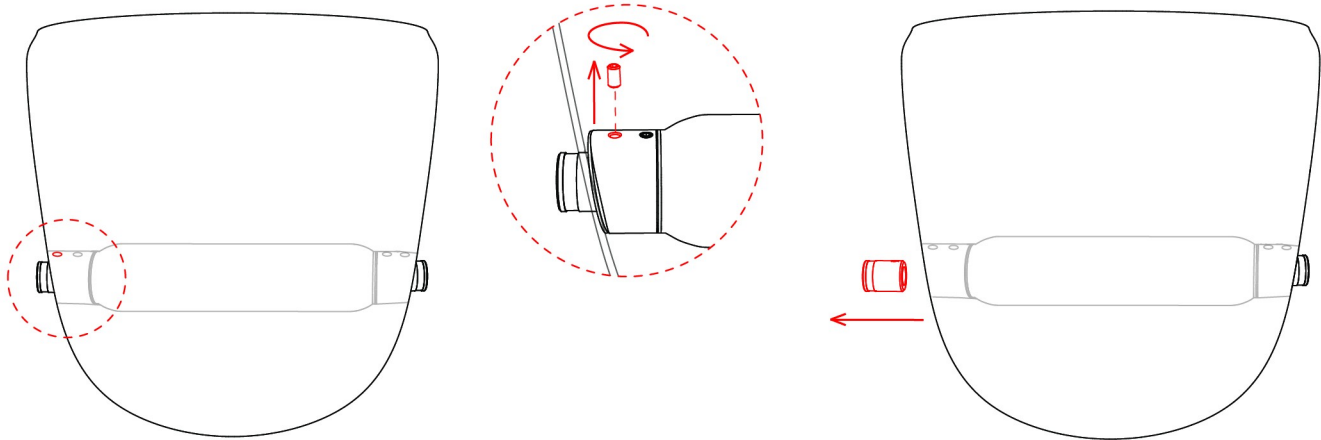
6. REMOVING THE OUTER CAP

Use the hex key to loosen the set screw in the other outer cap of the light source and remove the cap.



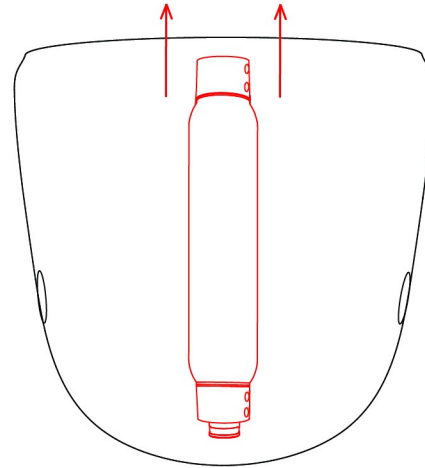
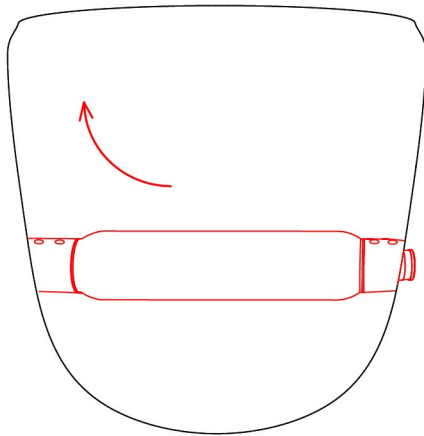
7. REMOVING THE LIGHT SOURCE LOCKING CYLINDER

Use the hex key to loosen the set screw in the inner cap of the light source. Next, remove the locking cylinder by pulling it out of the shade while holding the light source in place.



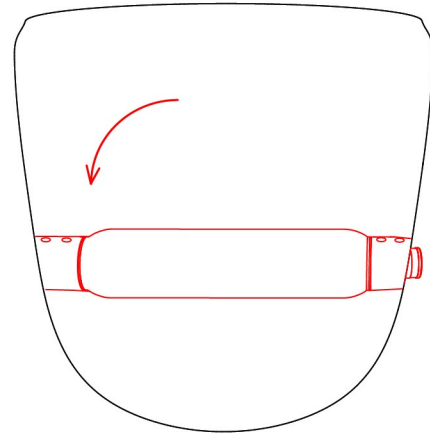
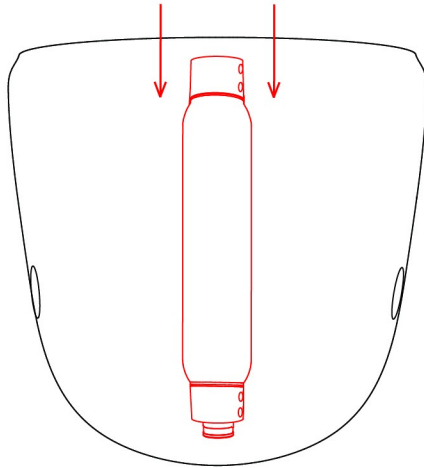
8. REMOVING THE LIGHT SOURCE

Remove the light source from the glass shade.



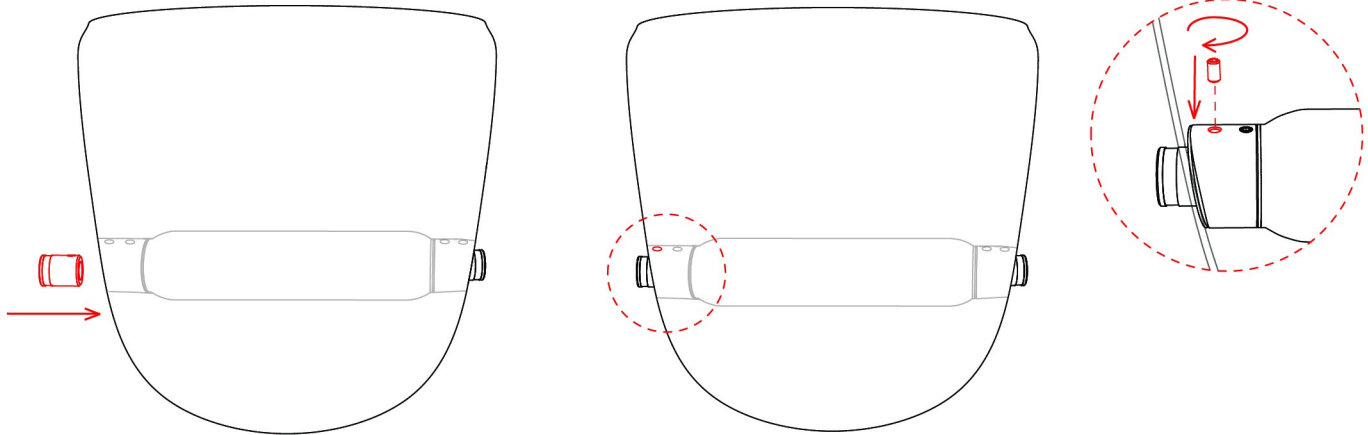
9. INSTALLING THE LIGHT SOURCE

Position the light source in the glass shade so that it fits neatly in the holes. If the light source is loose in the holes, add another seal, position it in the holes again, and check for a snug fit.



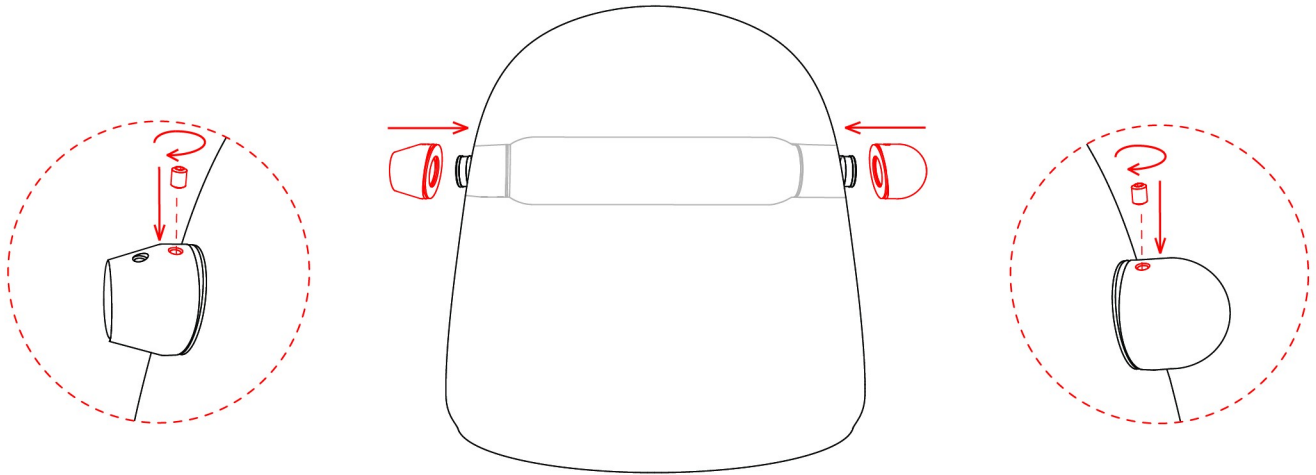
10. INSTALLING THE LOCKING CYLINDER

Insert the aluminium locking cylinder through the hole in the glass and into the light source until the dimple in the cylinder is aligned with the set screw in the inner cap.



11. INSTALLING THE OUTER CAPS

Press the outer caps over the locking cylinders until flush against the glass. The rounded cap goes on the end of the light source without the connector. The open cap goes on the end with the connector. Tighten the set screws while gently pressing the caps against the glass.



12. INSTALLING THE SHADE

Position the shade with light source on the metal fixture and secure in place with the set screw.

