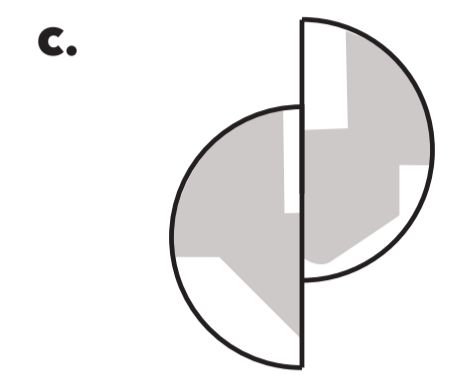
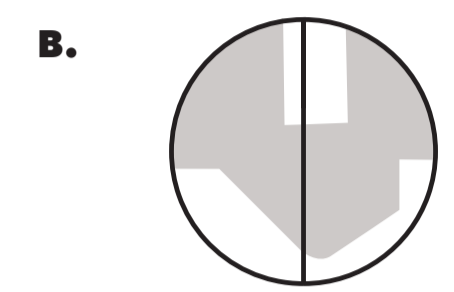
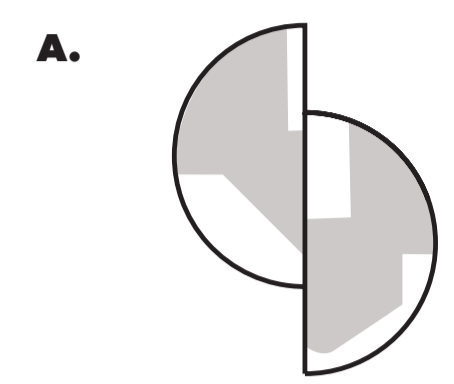


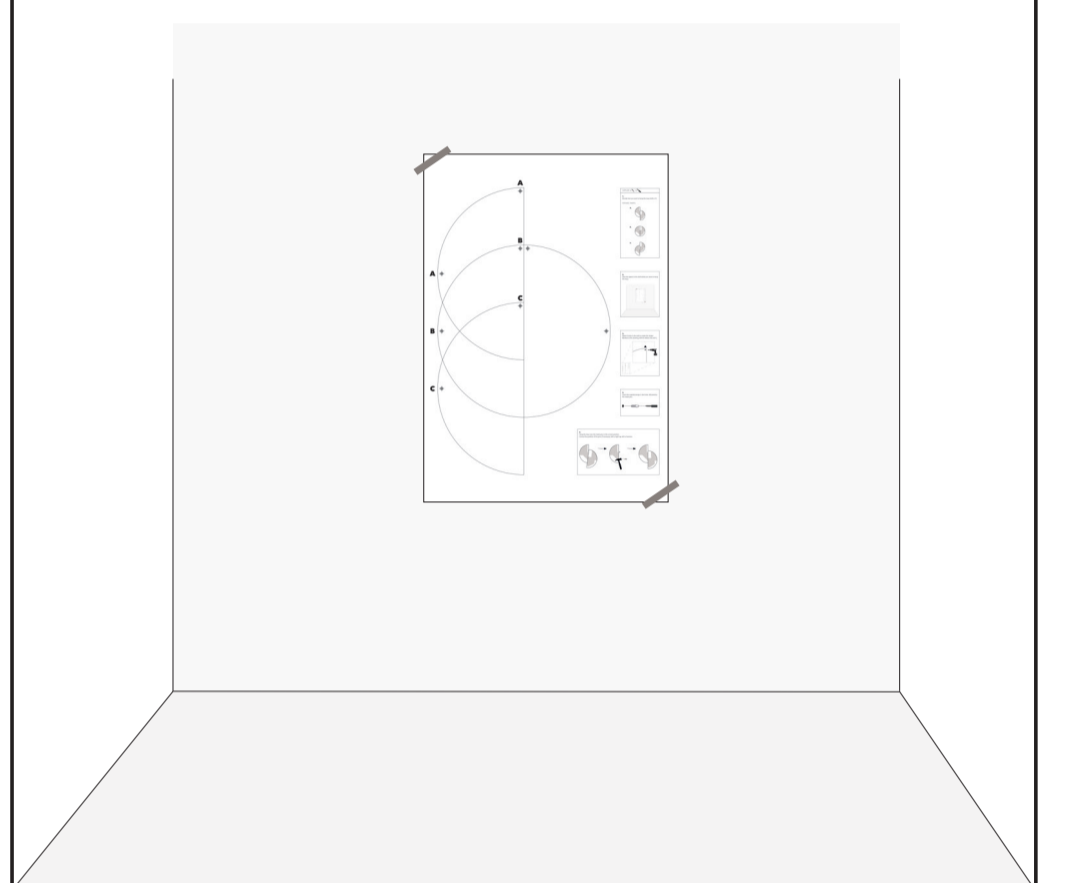
SUPPLIED 4x  4x 

1.
Decide how you want to hang the trays (A,B or C).

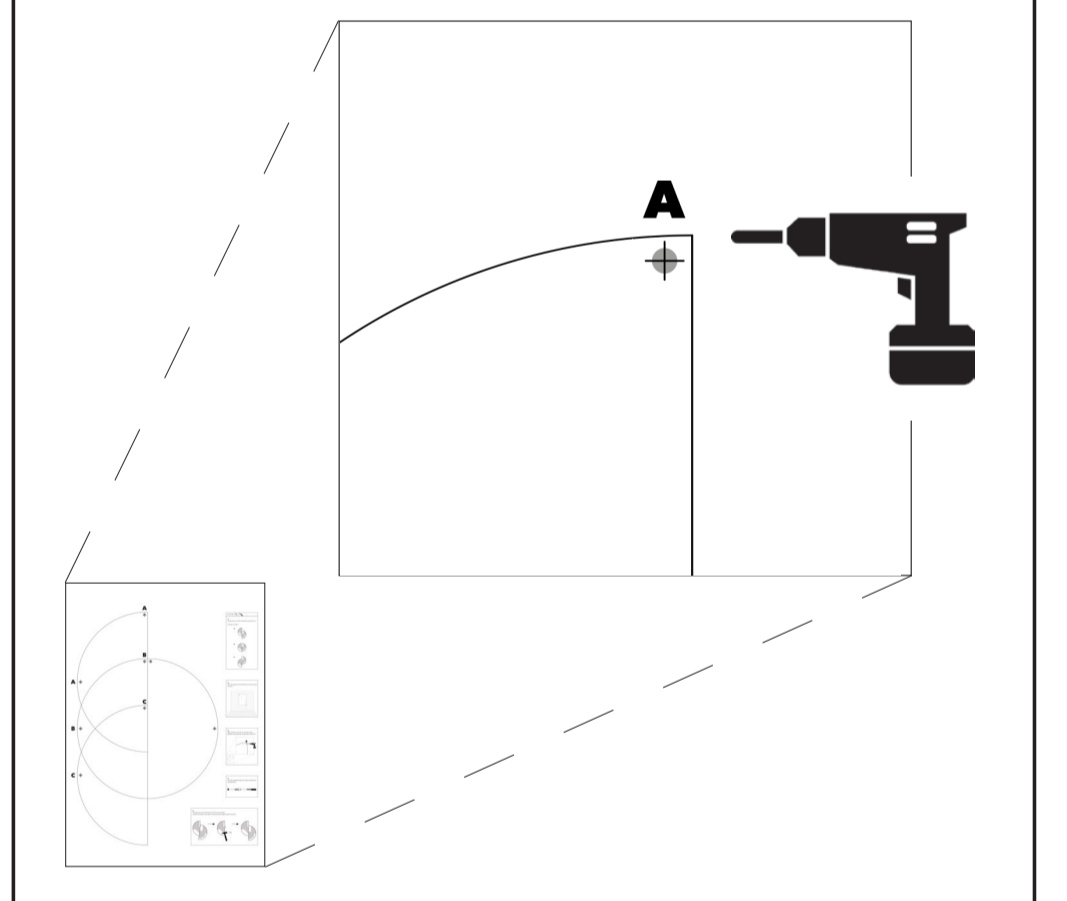
POSSIBLE SHAPES:



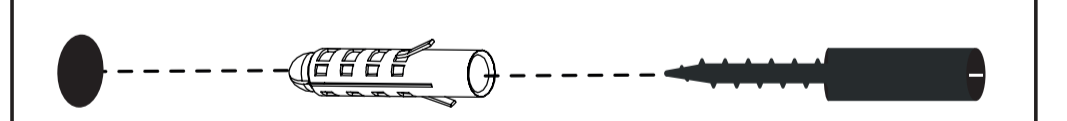
2.
Stick this paper to the wall where you want to hang the trays.



3.
Make 4 holes in the wall to create this shape.
Marked on the drawing with the letters A,B and C.



4.
Insert the supplied plugs in the holes, followed by the metal pins.



6.
Hang the trays over the metal pins in the correct position.
Correct the position of the pins (if necessary) with a light tap with a hammer.

