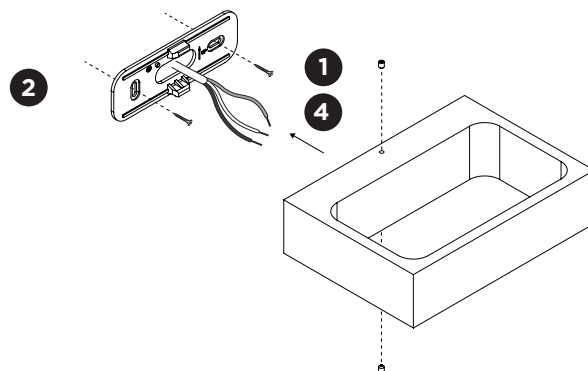
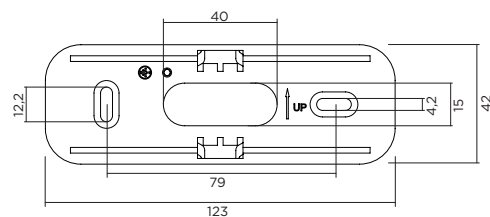


BENTO

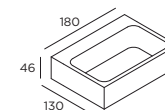
INSTALLATION INSTRUCTIONS | DECEMBER 2022



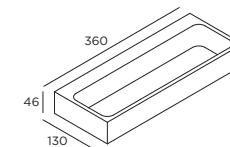
back plate dimensions



DIMENSIONS



1.3



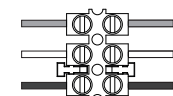
3.6

MOUNTING INSTRUCTION

- 1 Remove the back plate from the luminaire by loosening the socket screws.
- 2 Fix the back plate to the wall with screws (screws are not included).

3 POWER CONNECTION

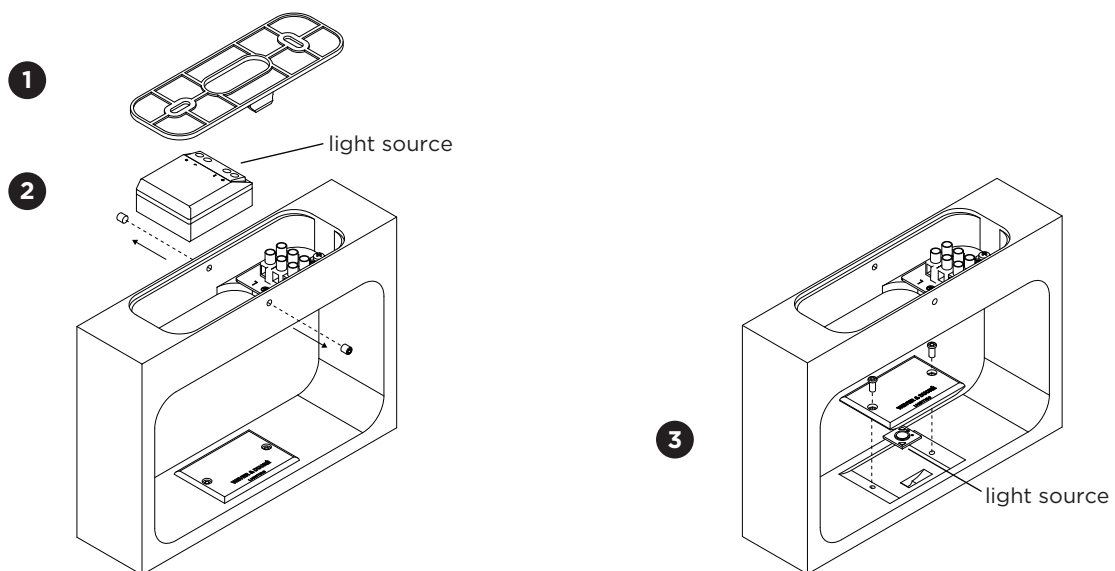
Connect to 220-240V.



- 4 Fix the luminaire to the wall mounted back plate with the socket screws.

BENTO

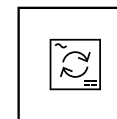
INSTALLATION INSTRUCTIONS | DECEMBER 2022



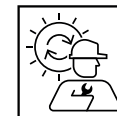
DISMOUNTING AND RECYCLING INSTRUCTIONS

Light source & driver

- 1 Loosen the socket screws and remove the luminaire housing from the back plate.
- 2 Loosen the wires and remove the driver.
- 3 Unscrew the cover and loosen the wires to remove the light source.



The driver can be replaced by the end user.



The light source is replaceable by an authorized professional.
For advice contact your Wever & Ducre customer service contact point.



This luminaire contains a light source with the energy class F.



WEVER & DUCRÉ
LIGHTING

WEVER & DUCRÉ BV
Spinnerijstraat 99/21, 8500 Kortrijk, Belgium
weverducre.com