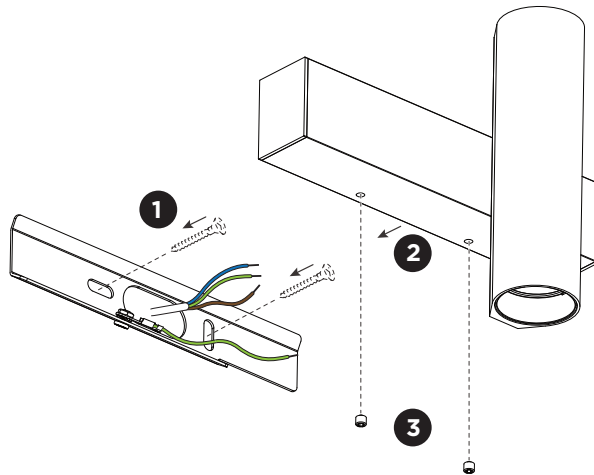
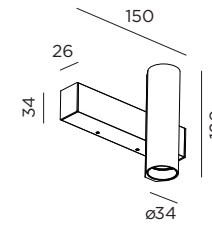


CENO WALL

INSTALLATION INSTRUCTIONS | AUGUST 2023



DIMENSIONS

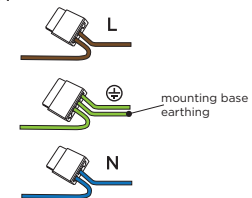


2.0

MOUNTING INSTRUCTION

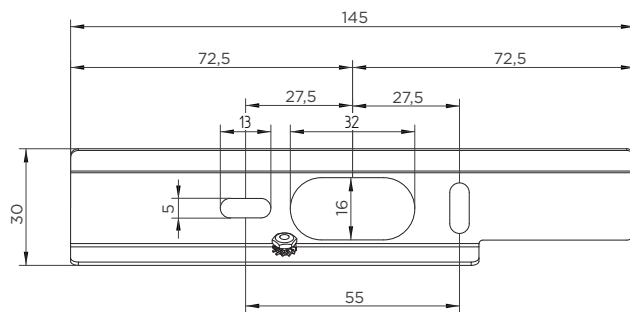
1 Remove the mounting base from the luminaire by loosening the socket screws and mount it on the wall with the screws (screws are not included).

2 **POWER CONNECTION**
Connect to 220-240V.



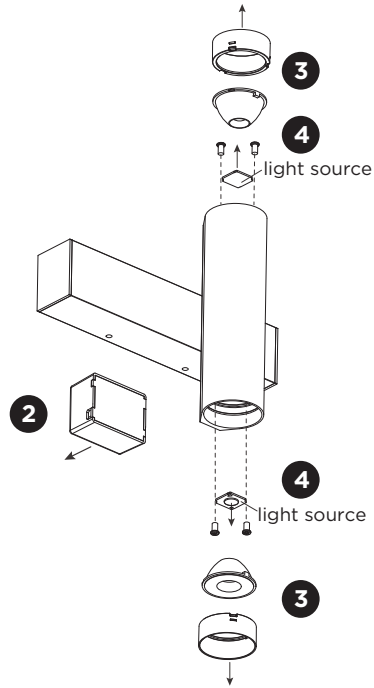
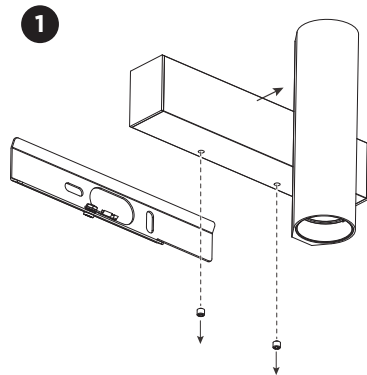
3 The fixture must be tilted over the base and fix the fixture with the socket screws.

Mounting base:



CENO WALL

INSTALLATION INSTRUCTIONS | AUGUST 2023



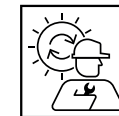
DISMOUNTING AND RECYCLING INSTRUCTIONS

Light source & driver

- 1 Loosen the socket screws and remove the luminaire from the ceiling base.
- 2 Disconnect the wires and remove the driver by pulling.
- 3 Pull out the fixing ring(s) and remove the lens(es).
- 4 Unscrew the screws, disconnect the wires and remove the light source(s).



The driver can be replaced by the end user.



The light source is replaceable by an authorized professional.
For advice contact your Wever & Ducré customer service contact point.



This luminaire contains a light source with the energy class E.