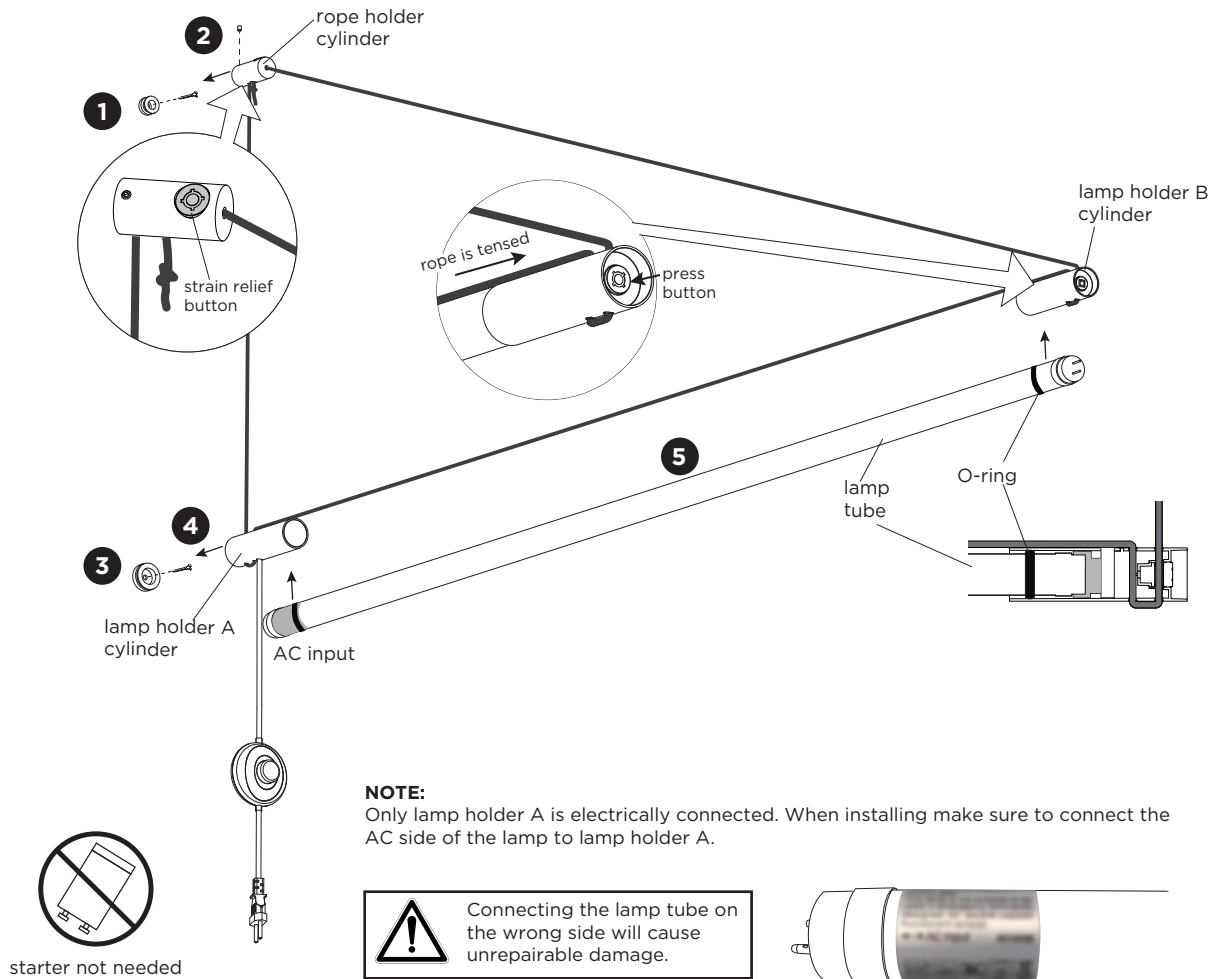
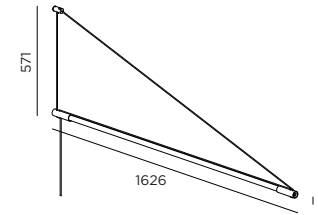


DARF wall surface

INSTALLATION INSTRUCTIONS | SEPTEMBER 2023



DIMENSIONS



MOUNTING INSTRUCTION

- 1 Mount the upper wall fixation of the rope holder with a screw (screw is not included).
- 2 Mount the rope holder cylinder and tighten with the socket screw.
- 3 Mount the wall fixation of the lamp holder with a screw (screw is not included).
- 4 Mount the lamp holder cylinder by pressing.
- 5 Mount the lamp tube.

Place the O-rings on each side of the lamp tube and mount the tube inside the lamp holders.

Use the buttons on the lamp holder to assure the rope over the lamp tube is tensed.

Adjust the rope to the desired length. When the button is pressed, the rope can be pulled (up to 50mm excess rope can be saved inside the rope holder).



Die Netzanschlussleitung muss immer außer Reichweite von Kindern verlegt werden.

Mains supply wiring shall be secured out of reach of children.

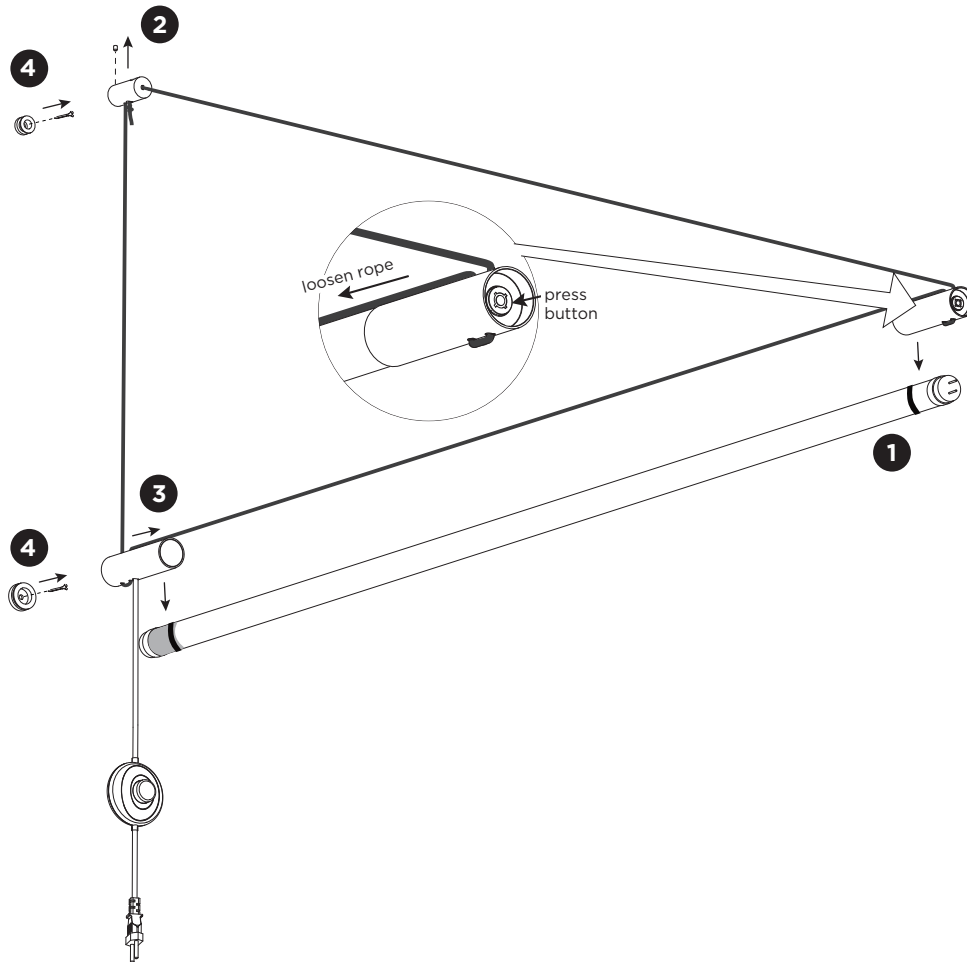
Tenere il cavo di rete lontano dalla portata dei bambini.

El cableado de alimentación eléctrica deberá siempre ser realizado lejos del alcance de niños.

Installez les câblages électriques hors de portée des enfants.

DARF wall surface

INSTALLATION INSTRUCTIONS | SEPTEMBER 2023

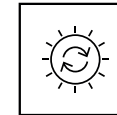


DISMOUNTING AND RECYCLING INSTRUCTIONS

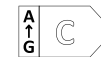
Light source

- 1 Dismount the lamp tube in opposite direction of the mounting instruction.

Use the buttons on the lamp holder to loosen the rope and remove the lamp tube.
- 2 Loosen the socket screw and remove the rope holder cylinder.
- 3 Pull off the lamp holder cylinder.
- 4 Remove the wall fixations by unscrewing the screws.



The light source can be replaced by the end user.



This luminaire contains a light source with the energy class F.



WEVER & DUCRÉ
LIGHTING

WEVER & DUCRÉ BV

Spinnerijstraat 99/21, 8500 Kortrijk, Belgium
weverducre.com