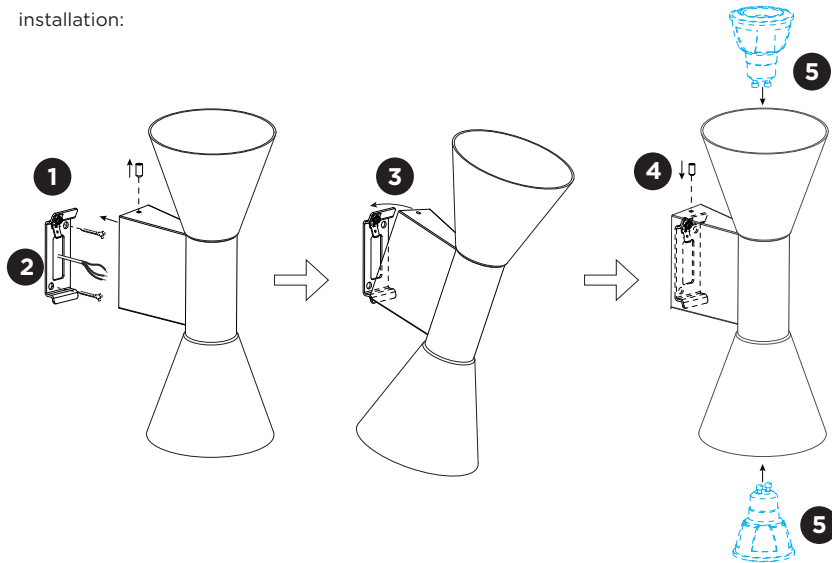


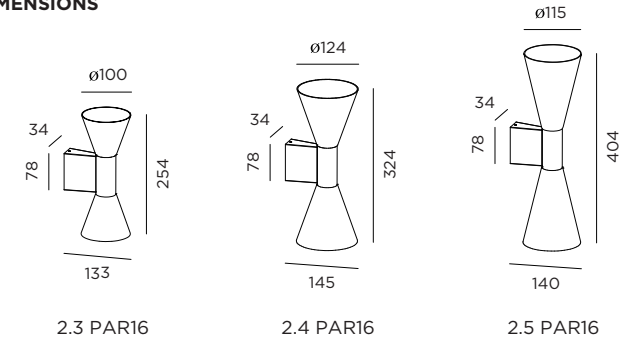
ODREY WALL 2.3 / 2.4 / 2.5

INSTALLATION INSTRUCTIONS | JUNE 2023

installation:



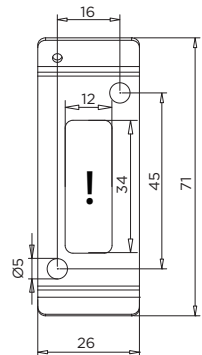
DIMENSIONS



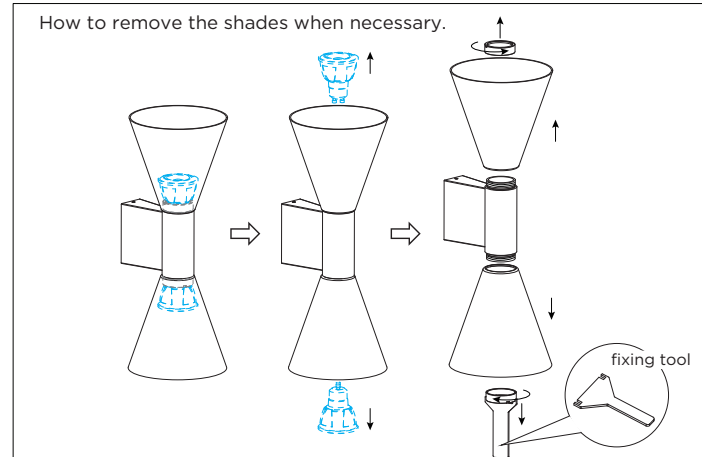
MOUNTING INSTRUCTION

- 1** Remove the mounting base from the luminaire by loosening the socket screw and mount it on the wall with screws (screws are not included).
- 2 POWER CONNECTION**
Connect to 100-240V.
Connect the earth cable.
- 3** Attach the luminaire to the mounting base with the lower side first and tilt towards the wall as shown.
- 4** Fix the luminaire on the base with the socket screw.
- 5** Mount the lamps to the luminaire.

Mounting base:



How to remove the shades when necessary.



WEVER & DUCRÉ
LIGHTING

WEVER & DUCRÉ BV
Spinnerijstraat 99/21, 8500 Kortrijk, Belgium
weverducre.com