

TECHNICAL DATA

This product is supplied with an integrated LED

module (2800K warm white, 110 lumens)

The expected lifespan of the LED module is

50,000 hours.

When the light source reaches its end of life, the

whole luminaire should be replaced.

FITTING TYPE | Integrated LED

POWER (W) | 3.7 W

COLOUR TEMPERATURE | 2800K, Warm White.

· Max. charge voltage of battery: 5.8V

· Max. charging current: 2000mA.

· Max. discharge current: 700mA.

ATTENTION

The product must not be modified in any way.

HAY accepts no responsibility for any products

that have been modified or tampered with. The

light source contained in this luminaire should be

exclusively replaced by a qualified electrician in

order to avoid an electrical hazard. If the external

USB charging cable is damaged it should be

replaced immediately. This lamp is designed for

indoor and outdoor use. HAY recommends that

the lamp is not kept outside while raining.

This lamp has an integrated high-performance

lithium-ion battery. When charging the battery,

use a USB power source/driver with low voltage

(SELV) output with a constant voltage of 5V, input

current not more than 2A, according to IEC/

EN 61347-2-13. After 300 charging cycles, it will

maintain a capacity of 75% or more. To extend

battery life, it is recommended to regularly charge

it with the supplied USB cable. The battery in this

lamp is non-replaceable. The battery must be

removed from the lamp and disposed of safely

before the lamp is disposed of.

Before removing the battery, make sure that the

lamp is not plugged into a power source. Please

read all instructions before installing the lamp.

NOTE | This equipment has been tested and

found to comply with the limits for a Class

B digital device, pursuant to part 15 of the

FCC Rules. These limits are designed to

provide reasonable protection against harmful

interference in a residential installation.

This equipment generates, uses and can

radiate radio frequency energy and, if not

installed and used in accordance with the

instructions, may cause harmful interference

to radio communications. However, there is no

guarantee that interference will not occur in a

particular installation. If this equipment does

cause harmful interference to radio or television

reception, which can be determined by turning

the equipment off and on, the user is encouraged

to try to correct the interference by one or more

of the following measures:

· Reorient or relocate the receiving antenna.

· Increase the distance between the

equipment and receiver.

· Connect the equipment to an outlet on a

different circuit to the one the receiver is

connected to.

· Consult the dealer or an experienced

radio/TV technician for help.

CAUTION | Changes or modifications to this unit

not expressly approved by the party responsible

for compliance could void the user's authority to

operate the equipment. This device complies with

part 15 of the FCC Rules. Operation is subject to

the following two conditions:

· This device may not cause harmful

interference.

· This device must accept any interference

received, including interference that may

cause undesired operation.

WARNING | When using outdoor use portable

luminaires, basic safety precautions should always

be followed to reduce the risk of fire, electric

shock and personal injury, including the following:

· Use only three-wire outdoor extension cords

that have three-prong grounding plugs

and grounding receptacles that accept the

appliance's plug.

· Ground Fault Circuit Interrupter (GFCI)

protection is to be provided on the circuit(s)

or outlet(s) to be used for the wet location

portable luminaire. Receptacles are

available having built-in GFCI protection

and are able to be used for this measure of

safety.

· Use only with an extension cord for outdoor

use, such as an extension cord of cord

type SEW, SEOW, SEOOO, SOW, SOOW, STW,

STOW, TSOOW, SJEW, SJEOW, SJEOOO, SJW,

SJOW, SJOOO, SJTW, SJTOW, or SJTOOW.

· Suitable for damp and wet locations.

· Do not submerge.

CARE AND MAINTENANCE

The product can be cleaned with a soft damp

cloth and mild detergent, or a dry microfibre

cloth. Do not use alcohol or any other solvents

to clean the product and avoid using abrasive or

rough sponges. Ensure that the power supply has

been turned OFF before cleaning the product.

- GENERAL INFORMATION -

- CARE & MAINTENANCE -

Our Care & Maintenance offers guidance for optimal maintenance of your HAY product. It includes advice and instructions on cleaning and caring for specific materials to prolong the life of your lighting.



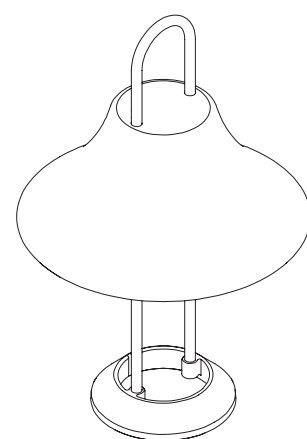
Please find our Care & Maintenance guide by scanning the QR code



You can find more relevant information on Mousqueton Portable Lamp by scanning the QR code

You can also find the same information here hay.dk/downloads

MOUSQUETON PORTABLE LAMP

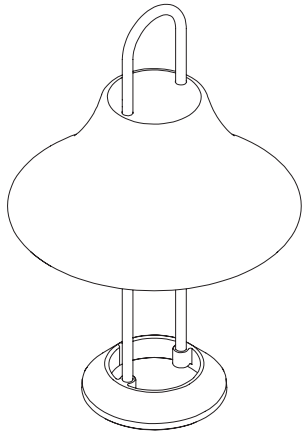


Havnen 1 8700 Horsens Denmark
+45 3164 6000 / hay@hay.com

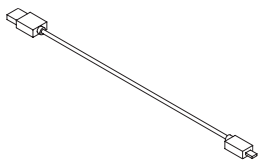
www.hay.com

DESIGN BY INGA SEMPÉ

- PARTS -



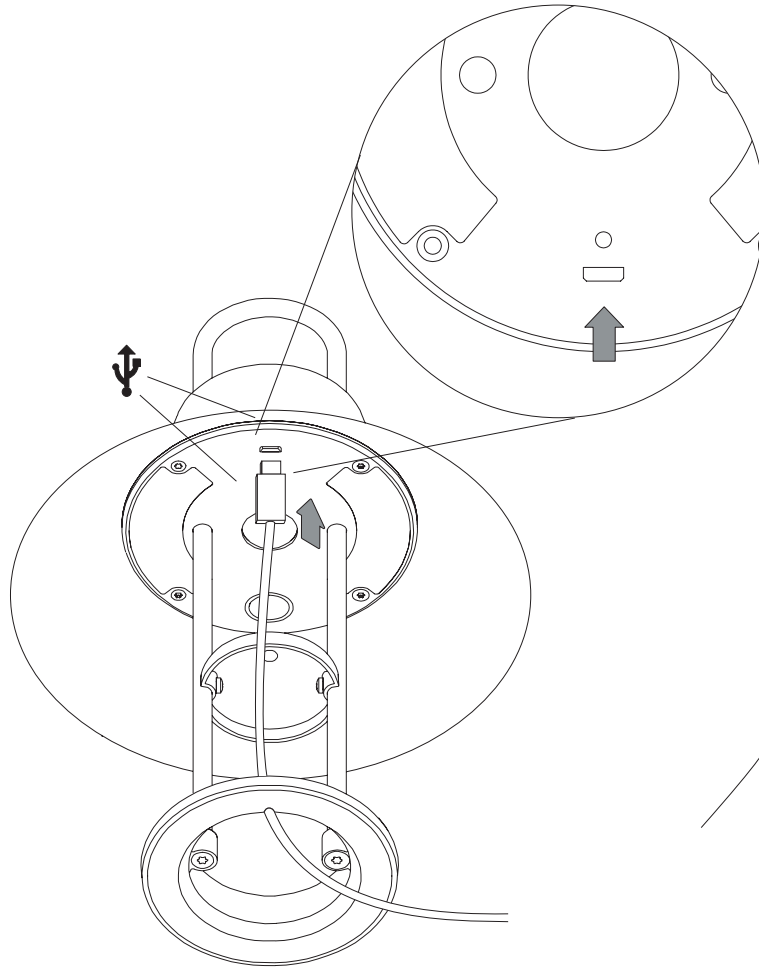
Lamp



USB Power Cable

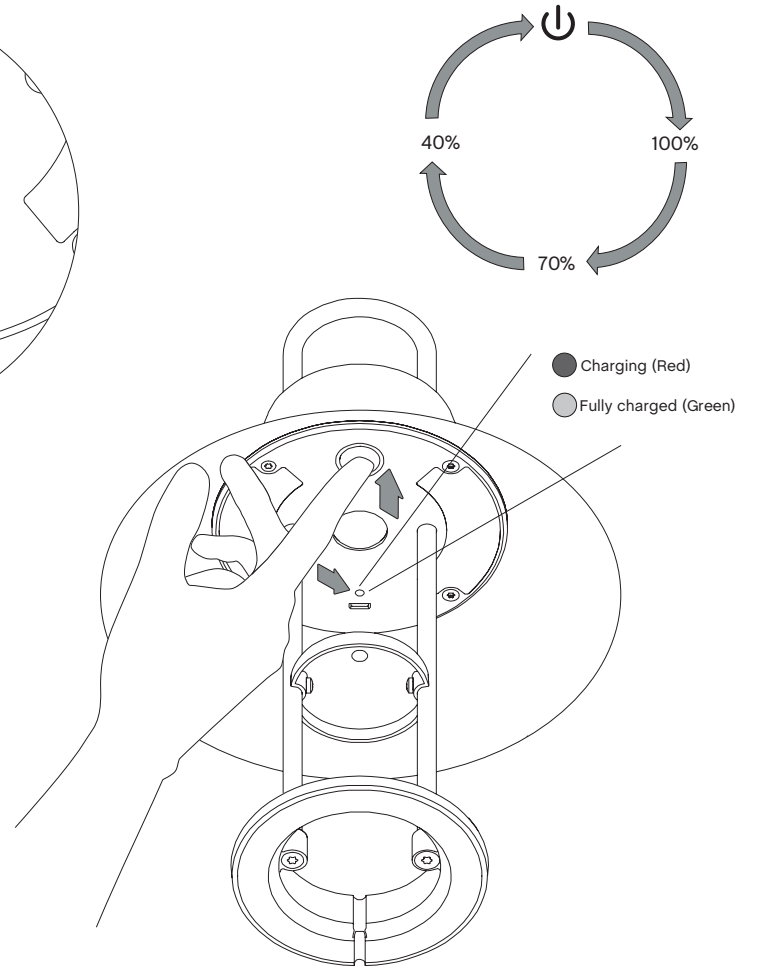
1.

To charge the battery, insert the USB charger into the USB port on the bottom of the lampshade and connect the cable to a power supply. When the battery is charging, the light on the bottom will show red. When the battery is fully charged, the light will show green. The lamp can be used while charging, however this will extend the required charging time for full capacity.



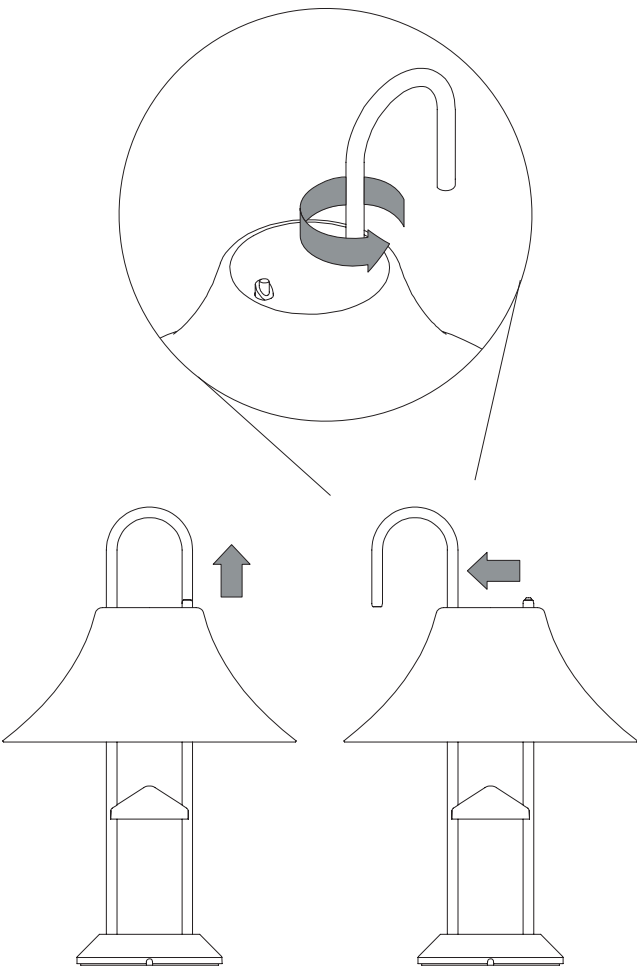
2.

To turn the lamp on, touch the round button on the bottom of the lampshade. The lamp has a three-step dimmable feature. First push sets it to maximum brightness, second push to medium brightness and the third push to lowest brightness. Fourth push turns the lamp off.



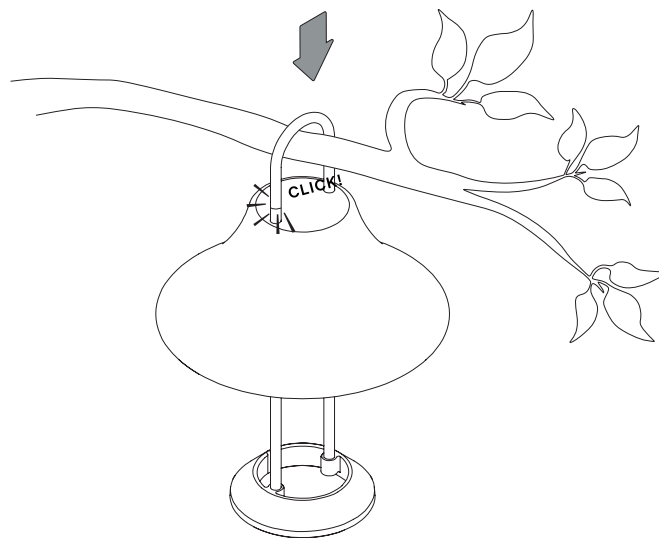
3.

The carabiner handle can be opened and closed by lifting the carabiner up and twisting it gently 180 degrees.



Suggestions for use

The carabiner can be used to hang the lamp, to create a cosy atmosphere in your garden, as shown below.



Suggestions for use

The Mousqueton Portable Lamp can also be balanced on a stick as shown below..

