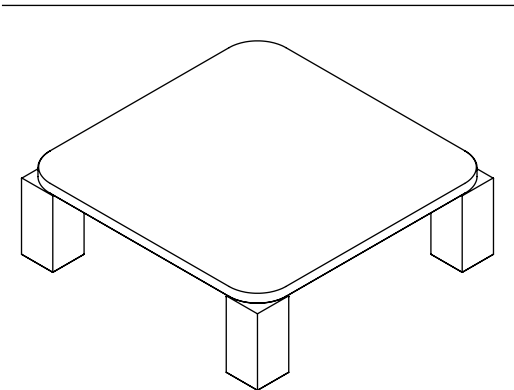
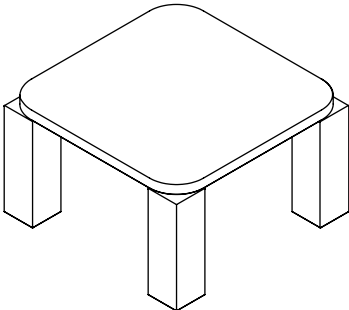


Assembly & Care Guide

Atlas Coffee Table

John Astbury



Thank you for choosing the Atlas Coffee Table designed by John Astbury. We hope you will enjoy it as much as we enjoyed making it. Please follow this guide to ensure correct installation, assembly, and care of your New Works product.

Attention

Please read these instructions carefully and retain them for future reference to ensure that the product is used correctly. For your safety, please study each step of this guide first.

New Works will not take any responsibility for accidents or injuries that occur due to misuse or unintended use of the product. This includes use of the product in unintended environments.

Marble is a natural and unique product, which means that each product is different. There will be variations from table to table.

If you have any questions, please do not hesitate to contact us via email: info@newworks.dk

Safety Precautions

Atlas Coffee Tables are very heavy and should always be assembled by two people or more. Dropping the tabletop or legs might cause injury to yourself or others, as well as damage to floors and objects. Always handle marble with care - each slab is unique and could break upon sudden contact with hard objects, or if subjected to high forces.

- **Do NOT stand on the table.**
- **Atlas Coffee Tables are NOT safe for small children.**
- **AVOID lifting the table only in the tabletop.**

Cleaning Instructions

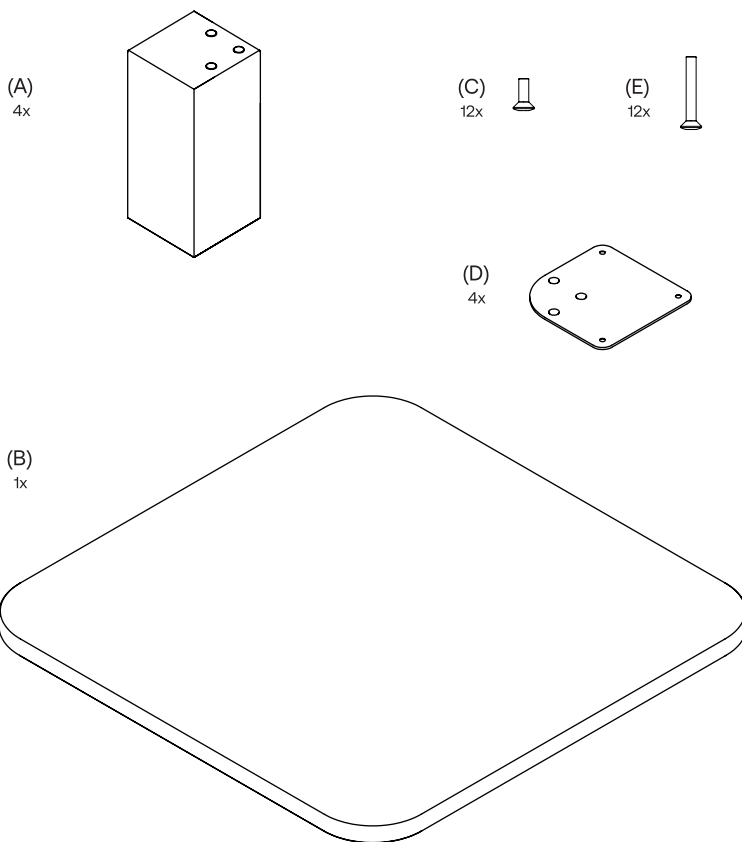
Wipe the product with a soft dry or moist cloth. Do not use any abrasive cleaning tools and never use strong cleaning agents such as household glass cleaner, white spirit, or turpentine.

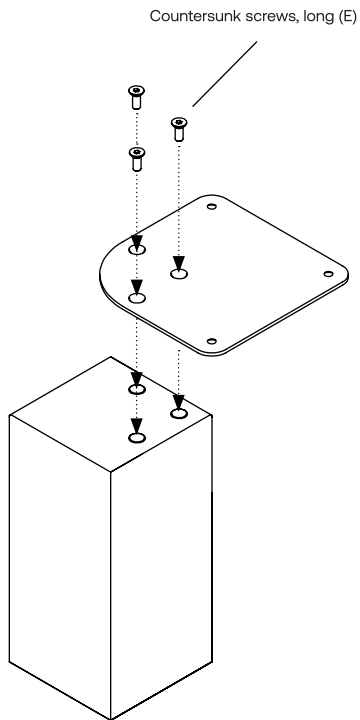
Inside the Box

- 4 x Leg assemblies (A)
 - 1 x Tabletop (B)
 - 12 x Countersunk screws, long (C)
 - 4 x Brackets (D)
 - 12 x Countersunk screws, long (E)
-

Tools Needed

- Drilling machine/ or screwdriver with unbraco/allenkey bit
- Ruler (optional)





1.

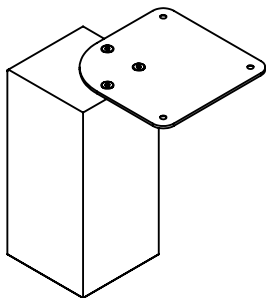
Assembly of leg and bracket

Place a bracket on top of the leg, and align the holes. Make sure the bracket is facing the right way up, in order for the countersunk screws to be mounted correctly.

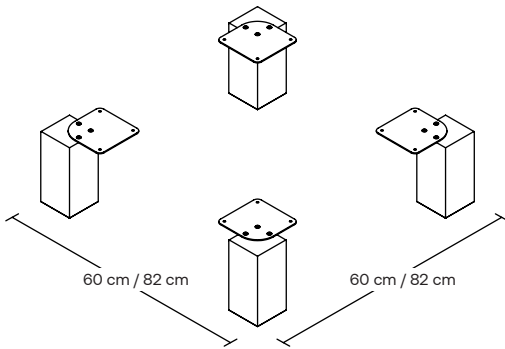
Repeat for each leg.

ATTENTION

Do not overtighten each screw, as it may damage the marble. Fasten with no more than 15 Nm (torque).



The assembled legs should look like this. You are now ready to mount the tabletop to the legs.

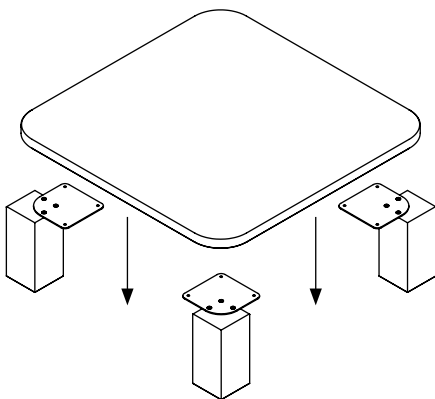


2.

Placement of legs

Place each leg assembly with the metal bracket facing inwards.

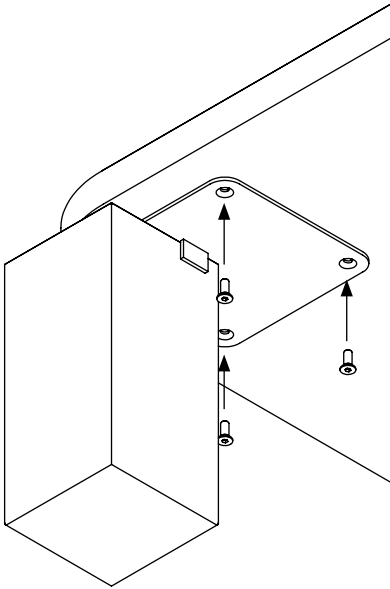
Each leg should be placed 60 cm apart (for Atlas Coffee Table, 600x600) or 82 cm apart (for Atlas Coffee Table, 820x820).



3.

Placement of tabletop

Carefully place the tabletop on the legs. Make sure the corners of the table are placed on top of the metal brackets mounted on the legs.



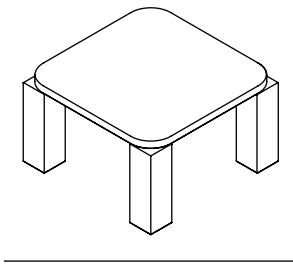
4.

Fasten tabletop to the legs

Use the screws to fasten the tabletop to the legs. Repeat for each leg.

ATTENTION

Do not overtighten each screw, as it may damage the marble. Fasten with no more than 15 Nm (torque).



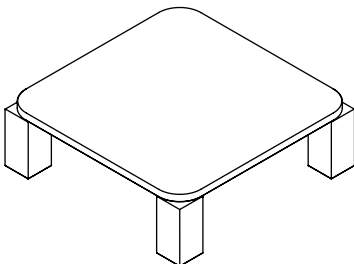
5.

Assembled Atlas Coffee Table

Your table is now ready for use.

ATTENTION

Be careful when lifting the table. Sudden lifts and rough handling might cause legs to loosen and damage the table top.



NEW WORKS.

info@newworks.dk +45 72 30 99 99

Frederiksgade 1, Ground Floor, 1265 Copenhagen, Denmark

www.newworks.dk @newworksdk