

- INSTRUCTION MANUAL -

PC LINEAR



DESIGN BY PIERRE CHARPIN

HAY

- GENERAL INFORMATION -

TECHNICAL DATA

This product is supplied with an integrated LED light source. The expected lifespan of the LED light source is 25,000 hours, which equates to 8-10 years of general use. When the light source reaches its end of life, the whole luminaire should be replaced. For dimming, please check which wall mounted dimmers are compatible with the included LED driver.

FITTING TYPE | Integrated LED

POWER (W) | 28W

COLOUR TEMPERATURE | 2800K warm white

ATTENTION

Ensure that the power supply to the circuit has clearly been turned OFF before installing the product. In some countries, electrical installation must be carried out by authorised electricians/contractors; please check with your local authority for guidance.

The product must not be modified in any way. HAY accepts no responsibility for any products that have been modified or tampered with. The external flexible cable or cord of this luminaire cannot be replaced. If the cord is damaged, the luminaire should be replaced. This lamp is designed for indoor use only.

CARE AND MAINTENANCE

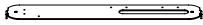
The product can be cleaned with a soft damp cloth and mild detergent, or a dry microfibre cloth. Do not use alcohol or any other solvents to clean the product and avoid using abrasive or rough sponges. Ensure that the power supply has been turned OFF before cleaning the product.



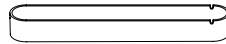
- PARTS -



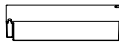
Lamp with suspension
wire & cable



Mounting bracket



Ceiling cap



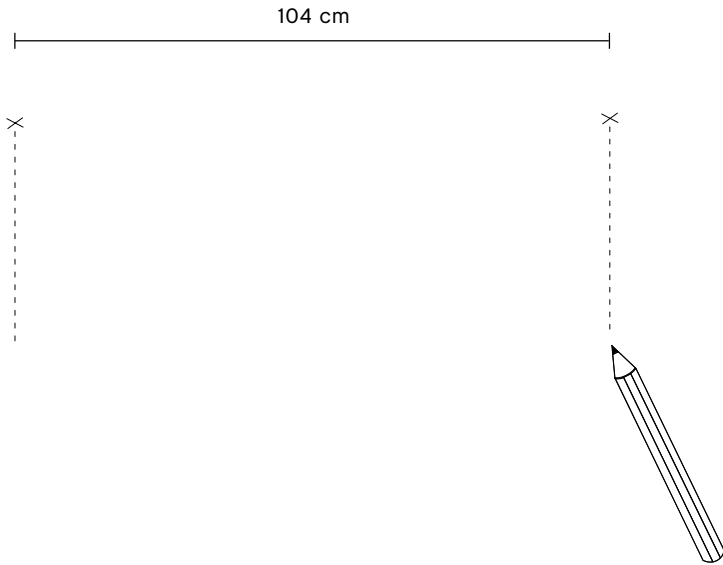
LED driver



Suspension mount

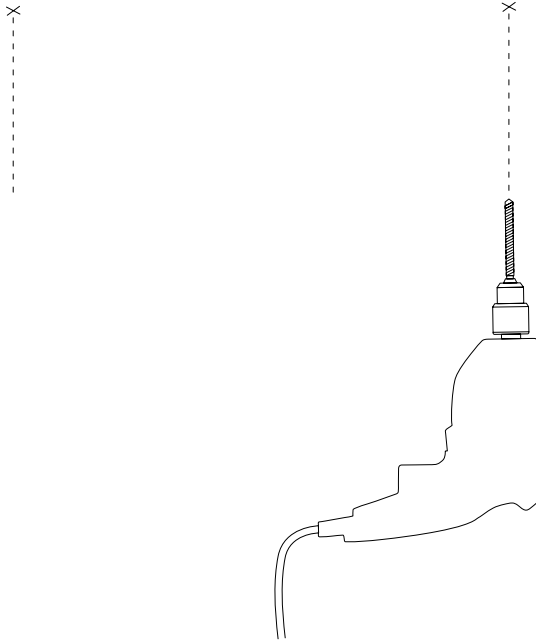
1.

Unpack all the parts and check that you have received all the parts listed. Mark the position of the holes to be drilled (104 cm apart) on the ceiling.



2.

Drill the holes using the correct type of drill for the ceiling you are drilling into.



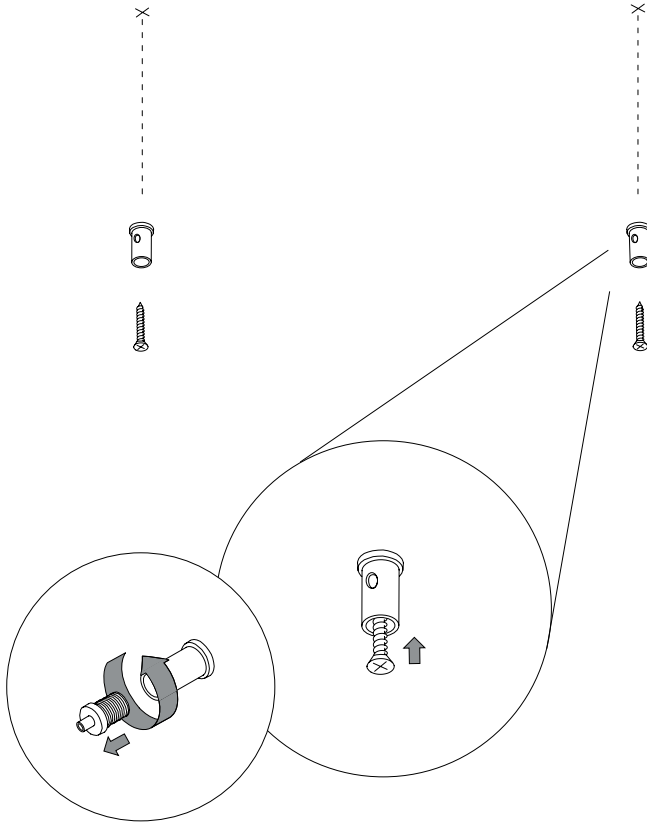
3.

Insert the wall plugs. Ensure you use the correct type of wall plugs for the type of ceiling.



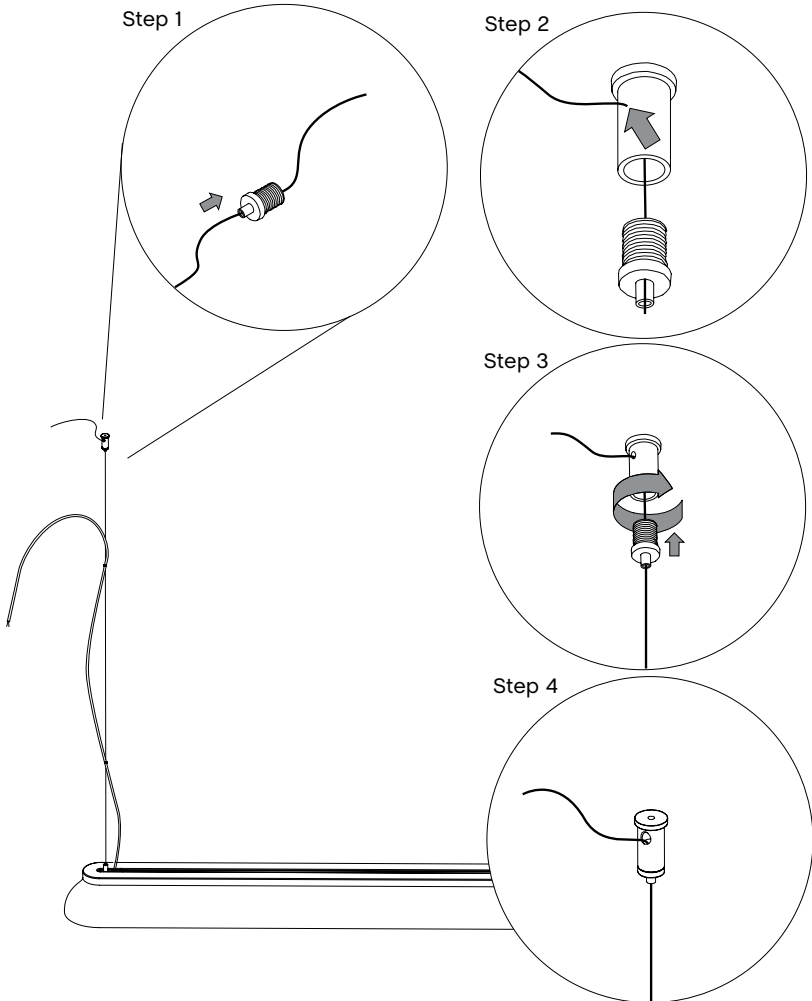
4.

Fix the suspension mount to the ceiling using the provided screws.
Disassemble the suspension mount as shown below and insert each screw into the suspension mount, screwing them firmly into place.



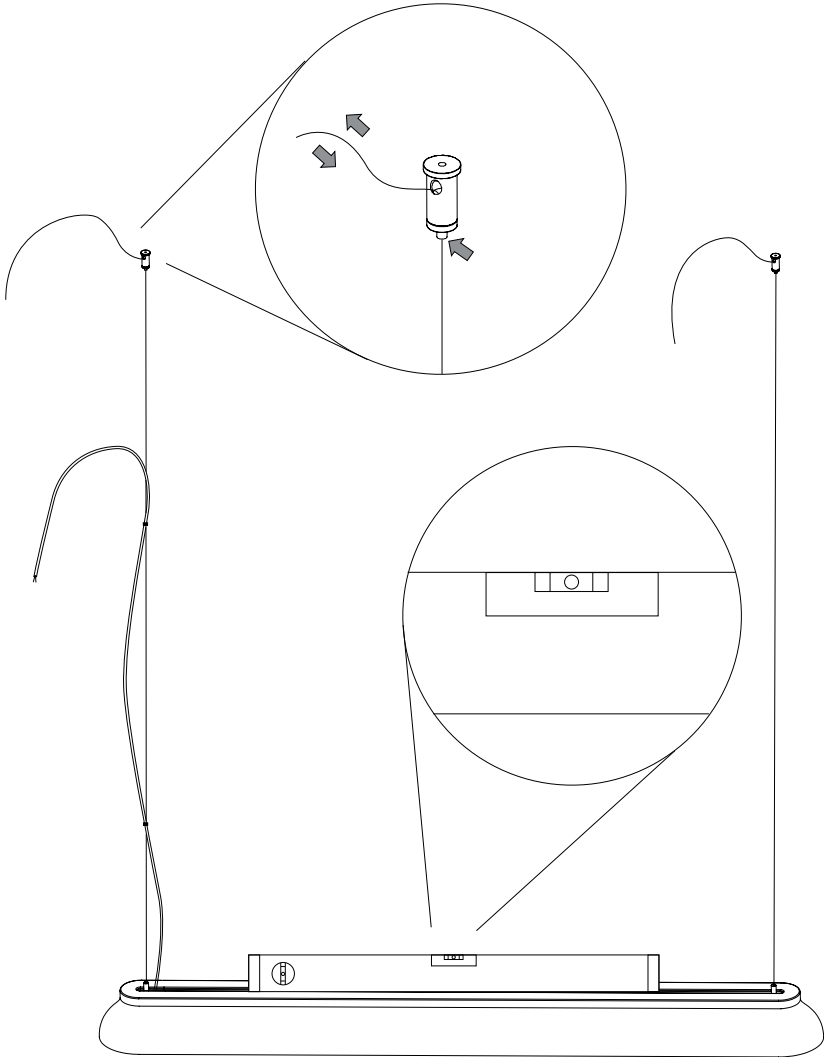
5.

Once the suspension mounts are firmly in place, the lamp is ready to be mounted. Start by pulling the suspension wire through the disassembled suspension mount (step 1). Guide the wire through the fixed suspension mount and through the exit hole on the side (step 2). Screw the disassembled suspension mount together with the part that is fixed to the ceiling (step 3). The suspension wire is now safely in place (step 4). Repeat on the other side.



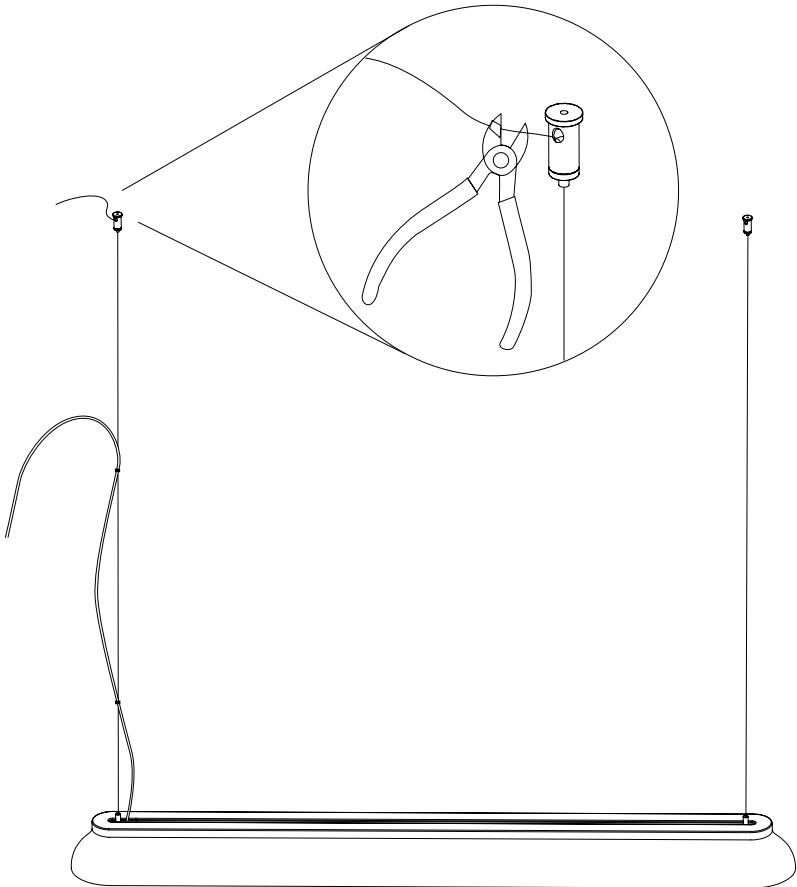
6.

Level the lamp by adjusting the wire. Pull the wire to shorten it or press the tab of the suspension mount to release it. It is recommended that two persons perform this step.



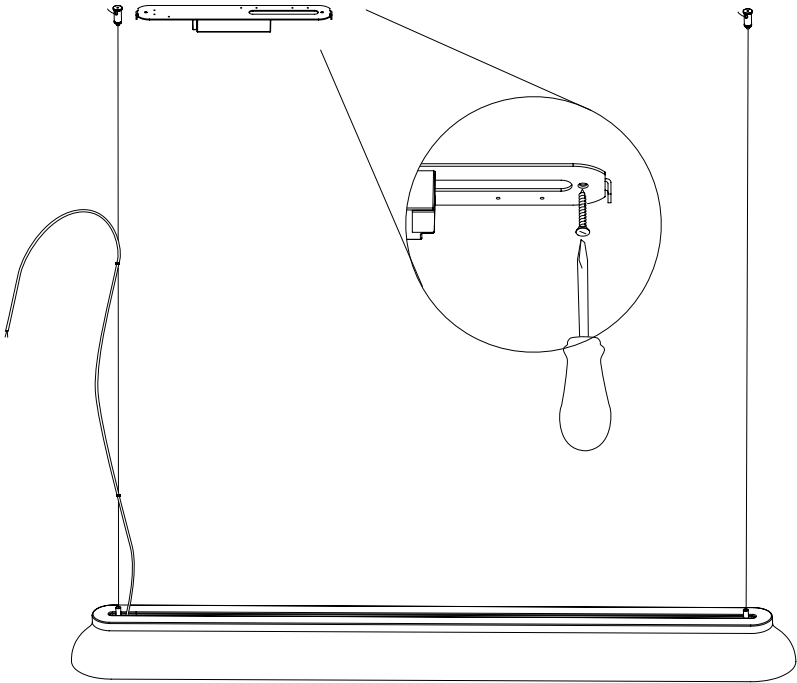
7.

Once the lamp is in place, the excess wire trailing from the exit hole can be cut.
Note that once the wire has been cut, the lamp can no longer be lowered.



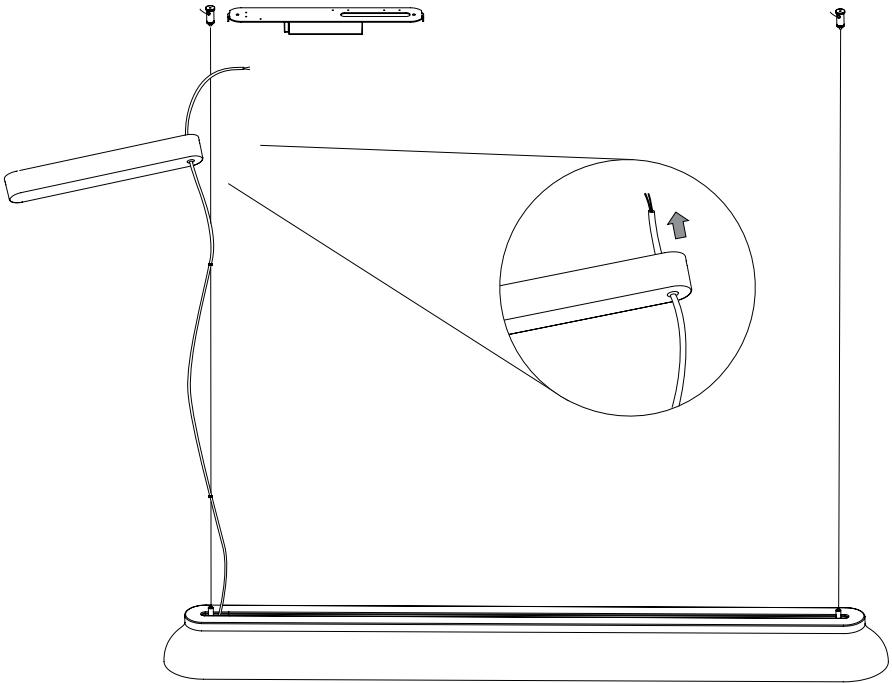
8.

Drill holes using the correct type of drill for the ceiling you are drilling into.
Fix the bracket with the attached driver to the ceiling using the provided screws.



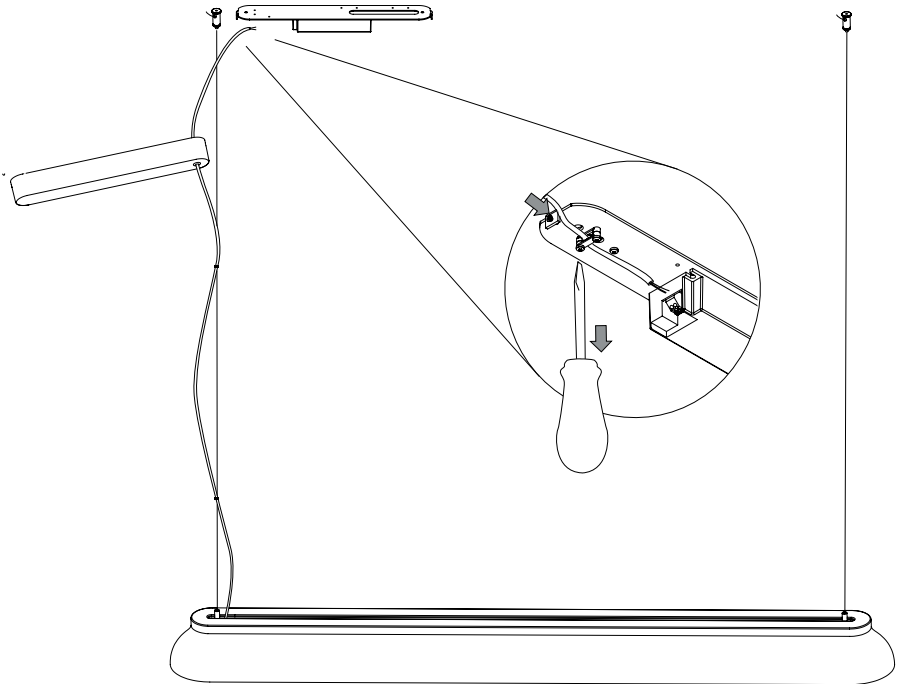
9.

Pull the cable through the ceiling cap before connecting the cable to the driver.

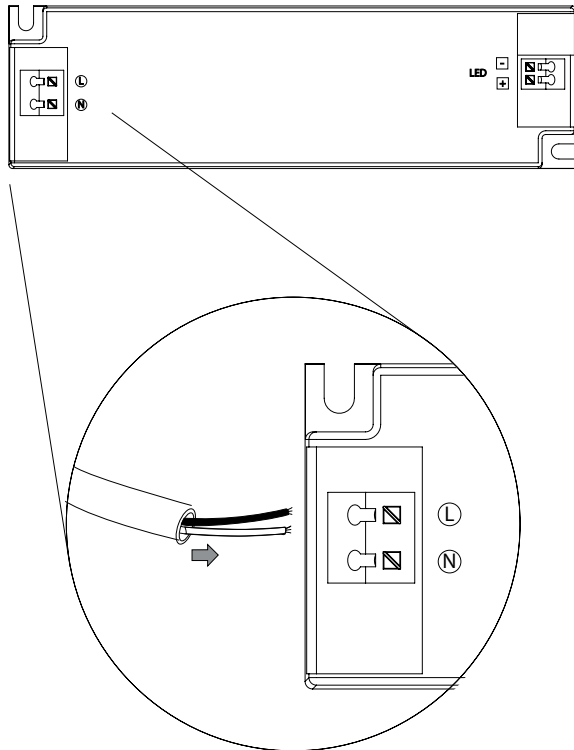


10.

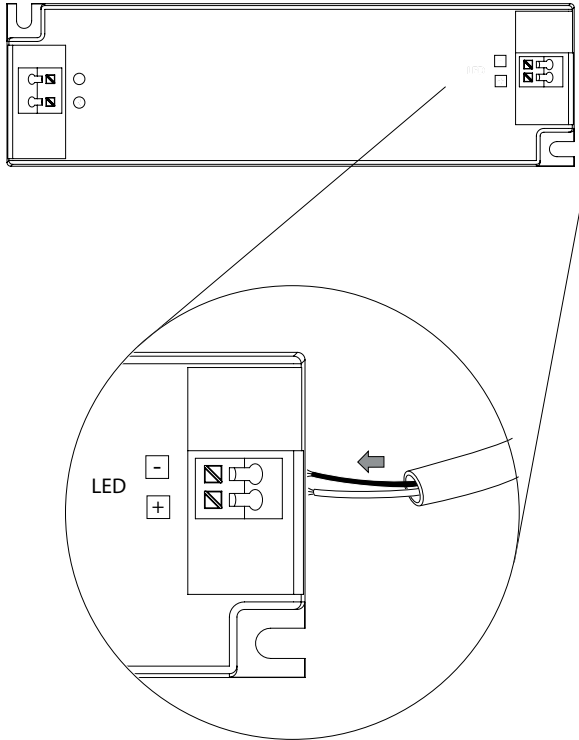
To secure the cable to the mounting bracket, start by loosening the screws on the cable clamps that are mounted on the mounting bracket, and pass the cable through. Once the cable is in place, tighten the screws again.



Wiring to mains power: Taking one wire at a time, insert the correct wires into the corresponding slots on the terminal block, while pressing down on the small button next to them. The live mains wire should be inserted into the slot marked L and the neutral mains wire into the slot marked N. If you are unsure of the polarity of the wires, then we recommend you contact a certified electrician.



Wiring to lamp: Insert the red cable (+) into the slot on the red terminal block (+). Insert the black cable (-) into the slot on the black terminal block (-). It is important that the wires are correctly connected. HAY accepts no responsibility for any damage due to incorrect wiring of the lamp.

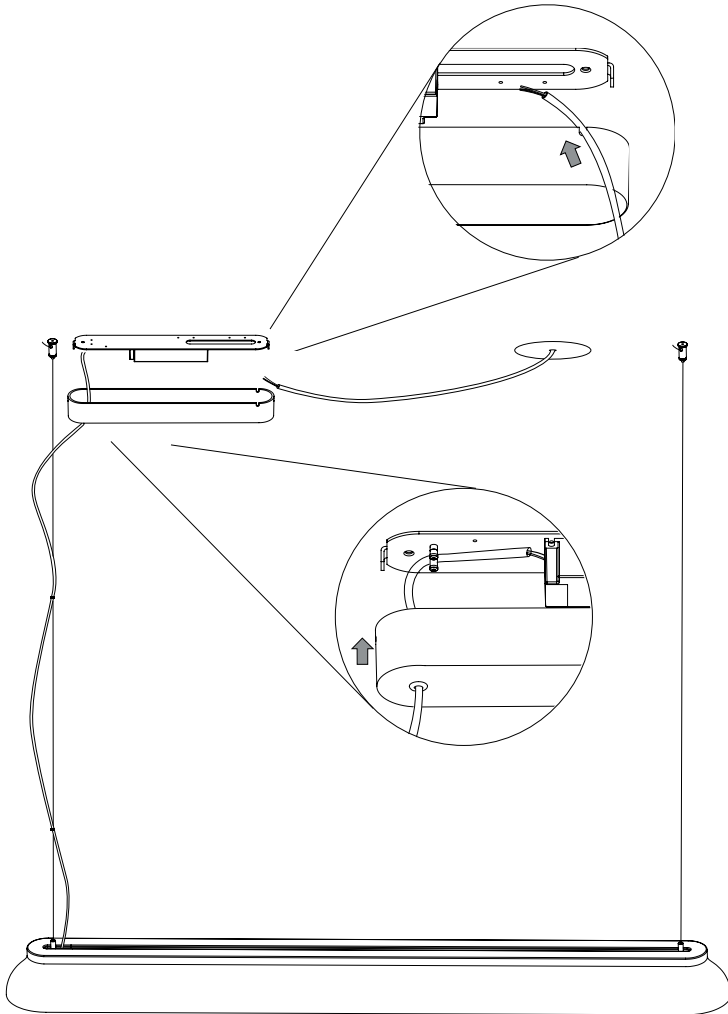


NOTICE

Black cable (-) in black terminal block (-)
Red cable (+) in red terminal block (+)

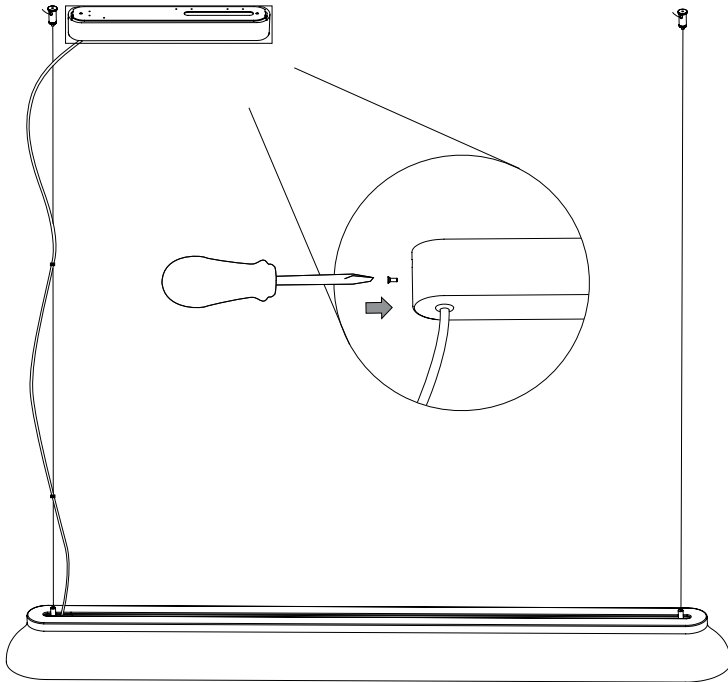
13.

Place the ceiling canopy over the LED driver and mounting bracket.
There are cable exit holes for the mains wires on either side of the ceiling cap.



14.

Fix the ceiling cap to the bracket using the provided screws.



- CARE & MAINTENANCE -

Our Care & Maintenance offers guidance for optimal maintenance of your HAY product. It includes advice and instructions on cleaning and caring for specific materials to prolong the life of your lighting.



Please find our Care & Maintenance guide by scanning the QR code



You can find more relevant information on PC Linear by scanning the QR code

You can also find the same information here
hay.dk/downloads

Havnen 1 8700 Horsens Denmark
+45 3164 6000 / hay@hay.com

www.hay.com

09/01/2023

HAY