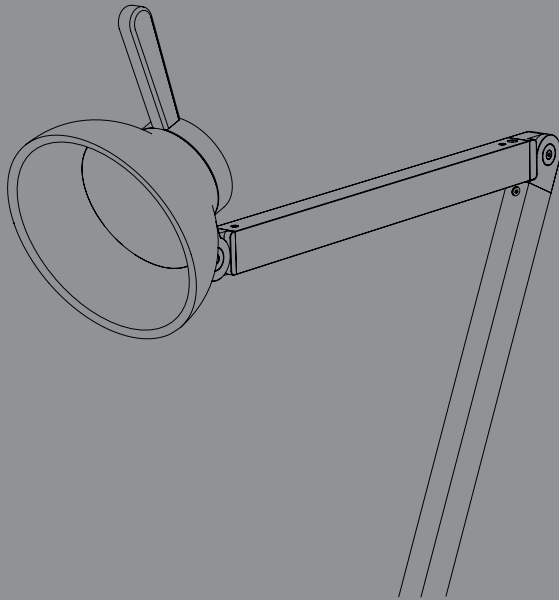


- INSTRUCTION MANUAL -

PC TASK COLLECTION



DESIGN BY PIERRE CHARPIN

HAY

- GENERAL INFORMATION -

TECHNICAL DATA

This product is supplied with an integrated LED light source. The expected lifespan of the LED light source is 25,000 hours, which equates to 8-10 years of general use. When the light source reaches its end of life, the whole luminaire should be replaced.

FITTING TYPE | Integrated LED

POWER (W) | 5,7W

COLOUR TEMPERATURE | 3100K cool white

ATTENTION

Ensure that the power supply to the circuit has clearly been turned OFF before installing the product. In some countries, electrical installation must be carried out by authorised electricians/contractors; please check with your local authority for guidance.

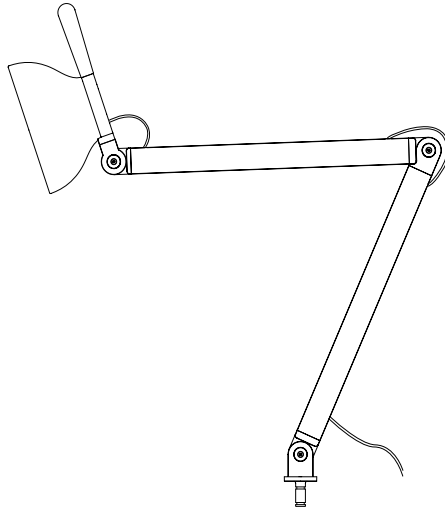
The product must not be modified in any way. HAY accepts no responsibility for any products that have been modified or tampered with. The external flexible cable or cord of this luminaire cannot be replaced. If the cord is damaged, the luminaire should be replaced. This lamp is designed for indoor use only.

CARE AND MAINTENANCE

The product can be cleaned with a soft damp cloth and mild detergent, or a dry microfibre cloth. Do not use alcohol or any other solvents to clean the product and avoid using abrasive or rough sponges. Ensure that the power supply has been turned OFF before cleaning the product.



- PARTS -



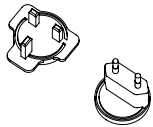
Lamp



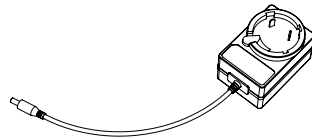
Allen key



Screw

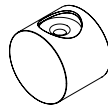
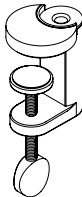
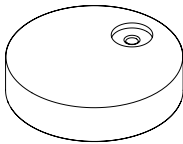
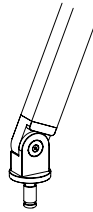
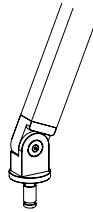
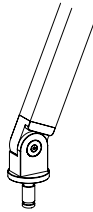
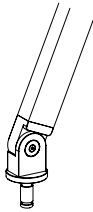


Adapter



Power supply

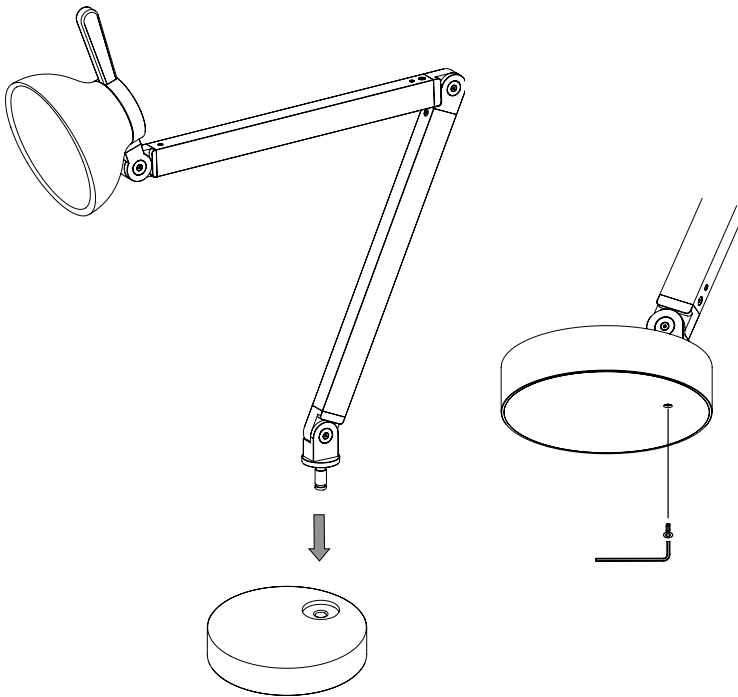
The lamp can be used with several different bases and fixings.
Unpack all the parts and check that you have received all the
parts listed.



1.

Table Lamp only

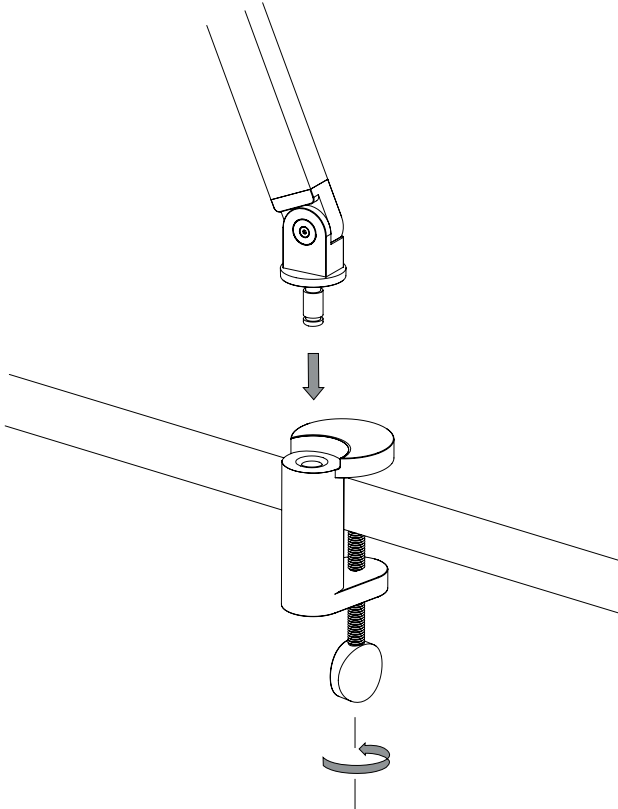
Insert the lamp into the base (packed separately). Using the provided Allen key and screw, the lamp can be fixed to the base through a hole underneath.



2.

Clamp only

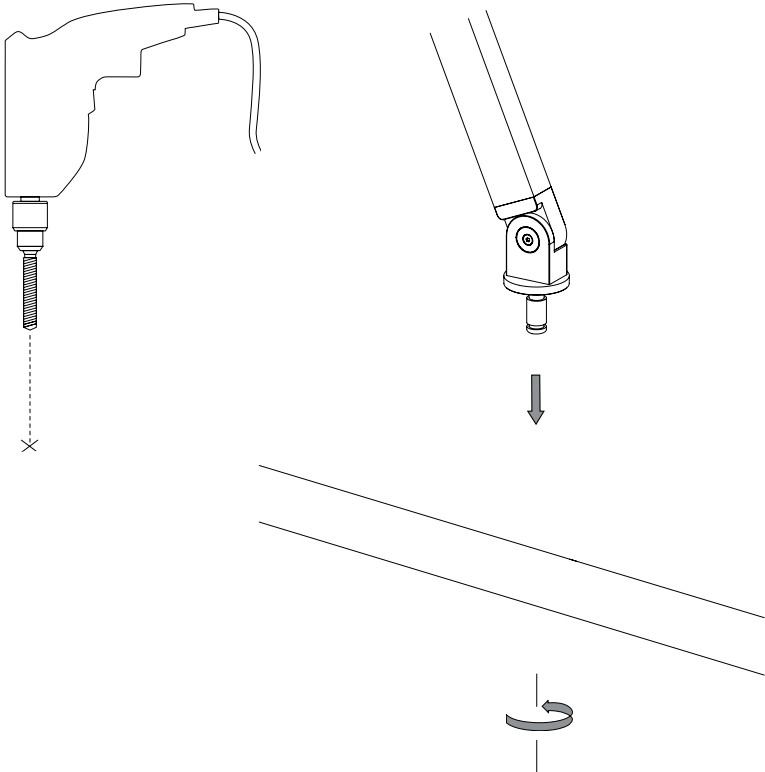
Clamp the clamp base in place by adjusting the grip.
Insert the lamp body into the clamp base.



3.

Table Insert only

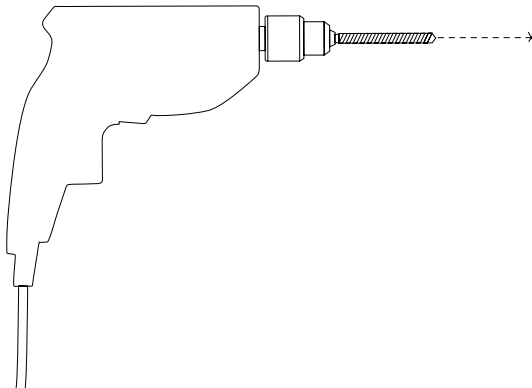
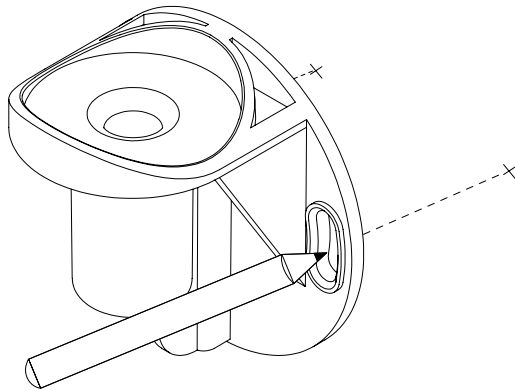
Carefully drill a 10 mm hole into a desktop where you would like the lamp to be positioned. Insert the table. Insert into the hole and tighten the circular nut underneath to hold firmly in place.



4.

Wall Bracket only

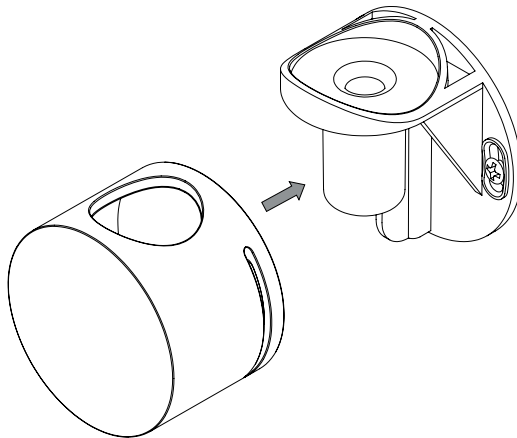
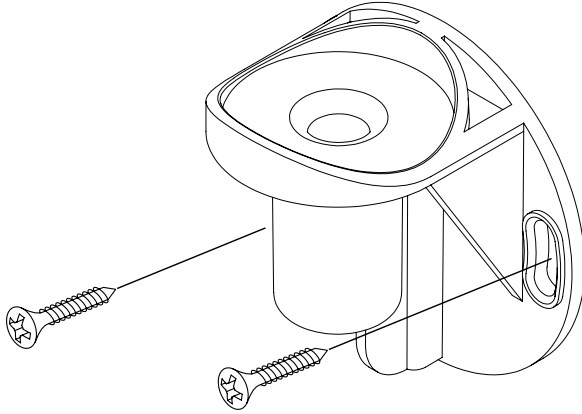
With a pencil, mark fixing holes on the wall.
Drill holes and insert wall plugs. Ensure you use the correct type of wall plug for the material you are drilling into.



5.

Wall Bracket only

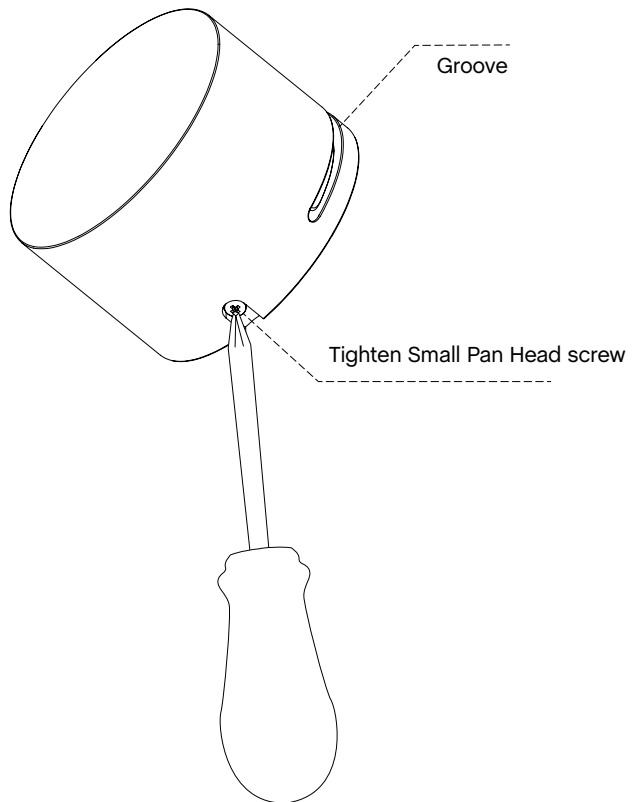
Screw the internal bracket to the wall with the fixings provided and place the external plastic cover over the wall bracket.



6.

Wall Bracket only

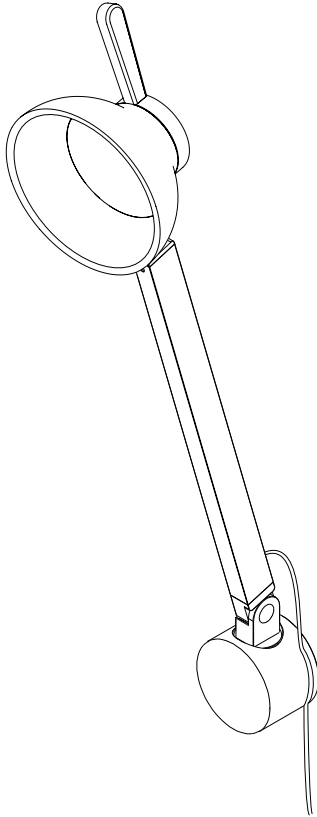
Fix the external plastic cover in place with the provided screw.
The groove on the side of the plastic cover provides simple cable management for the wall mounted lamp.



7.

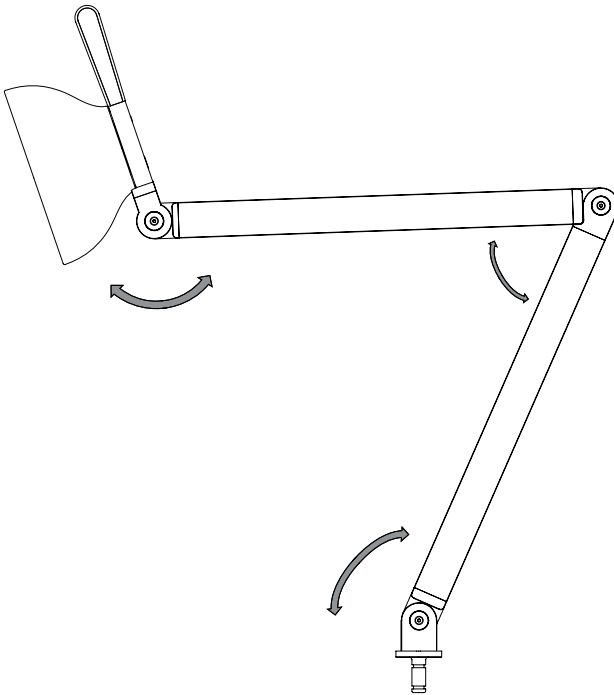
Wall Bracket only

Insert lamp into the wall bracket and push the cable into the groove.



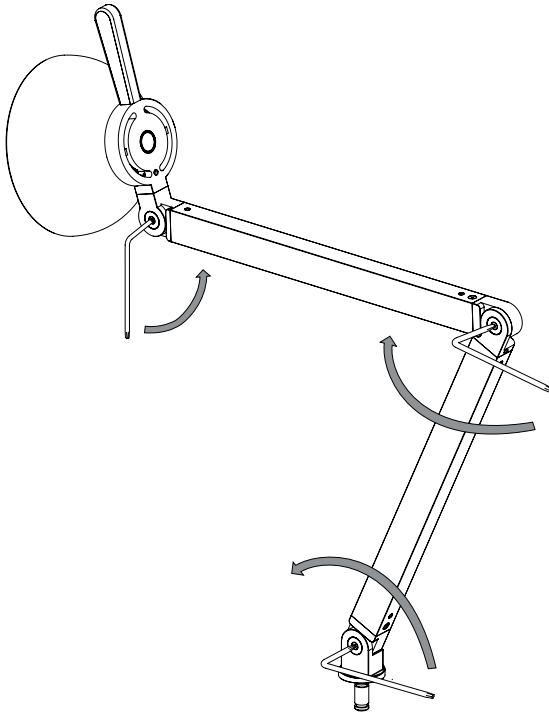
8.

The lamp can be freely moved and will hold in any position.



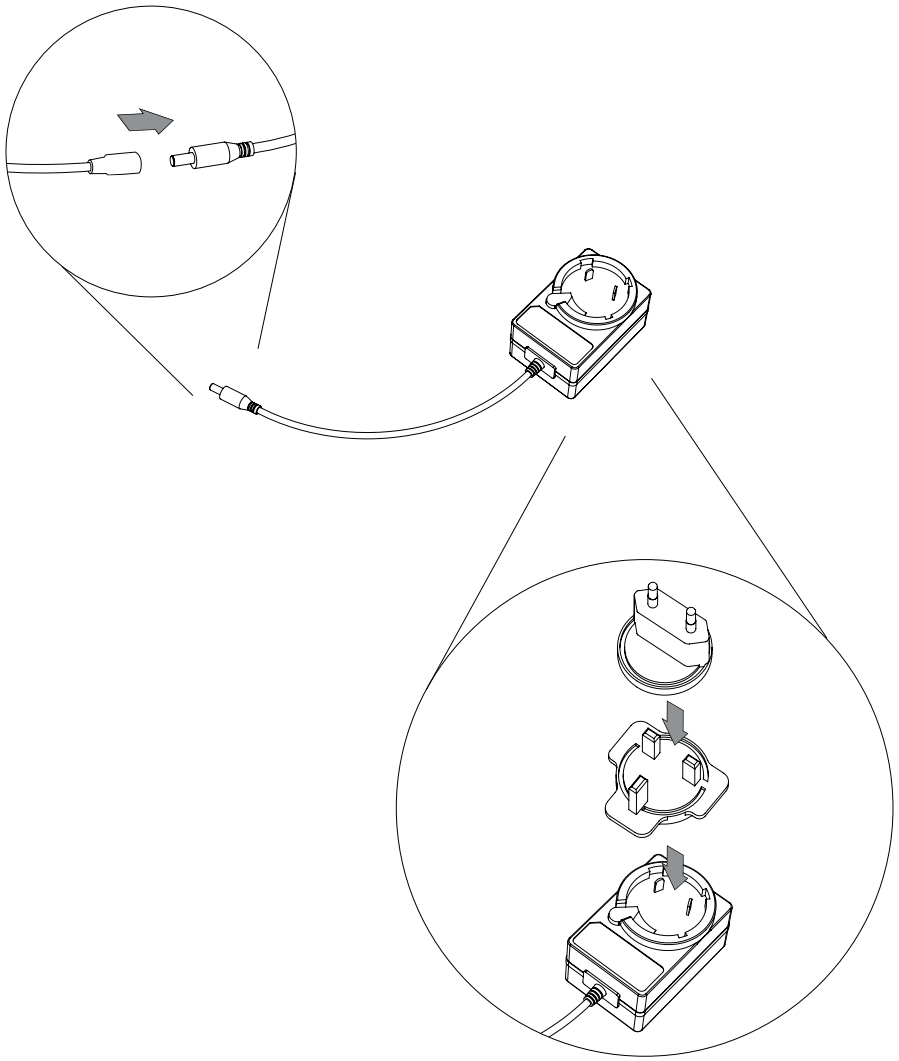
9.

If necessary, the joints can be adjusted using the provided torx tool. Carefully tighten the bolts until the lamp supports itself in any position.



10.

Plug the trailing cable into the power supply.
Attach the correct adapter for your region.
The lamp is now ready for use.



- CARE & MAINTENANCE -

Our Care & Maintenance offers guidance for optimal maintenance of your HAY product. It includes advice and instructions on cleaning and caring for specific materials to prolong the life of your lighting.



Please find our Care & Maintenance guide by scanning the QR code



You can find more relevant information on PC Task Collection by scanning the QR code

You can also find the same information here
hay.dk/downloads

Havnen 1 8700 Horsens Denmark
+45 3164 6000 / hay@hay.com

www.hay.com

09/01/2023

HAY