

# PH 2/1 DUSTY TERRACOTTA TABLE LAMP

PH 2/1 Dusty Terracotta Table Lamp - 5744171740

Based on Poul Henningsen's reflective three-shade system, this petite table lamp provides a soft downward directed light, while emitting a wonderful glow. The four-layered dusty terracotta coloured mouth-blown opal glass shades are glossy on top, and in combination with a sandblasted matt opal white lower side, it yields a soft and poetic light.



## Poul Henningsen

The very influential Danish designer, architect, writer, and cultural critic, Poul Henningsen (1894-1967), has had a huge impact on Danish thinking and design. His legacy is an integrated part of Louis Poulsen's endeavor to shape light.



## Product info

### Mounting

Brown textile cable 2x0,75 mm<sup>2</sup> with plug. Cable length: 2.8 m. Through-switch.

### Finish

Mouth-blown four-layered dusty terracotta coloured glass with a white sandblasted underside. Aged brass brushed with fine hairlines, laquered.

### Materials

Mouth-blown four layered dusty terracotta coloured glass, glossy on the outside, sandblasted on the inside. Top plate, base and stem: Aged brass, brushed with fine hairlines and treated with laquer. Please note the treated aged brass will not change over time.

### Sizes and weights

width x Height x Length (mm) | 200 x 355 x 200 Max 1.4 kg

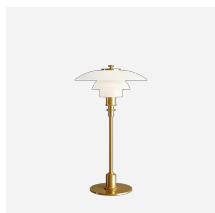
### Class

Ingress protection IP20. Electric shock protection II w/o ground.

## Related products



PH 2/1 Pendant



PH 2/1 Table Lamp



PH 2/1 Stem Fitting



PH 2/1 Wall Lamp

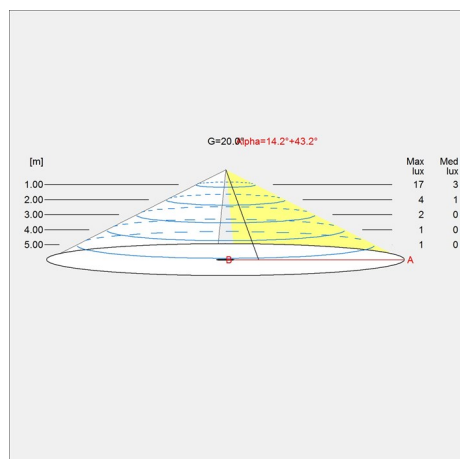


PH 2/1 Aged Brass Table Lamp

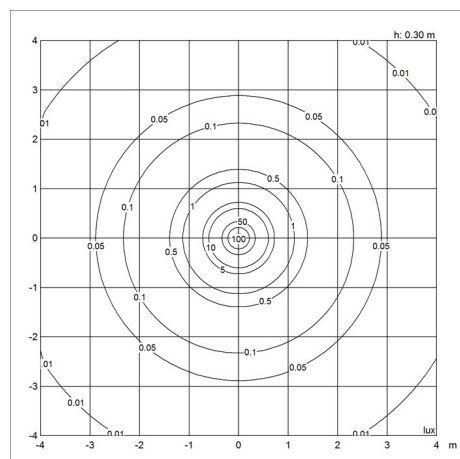


# Light distribution diagrams

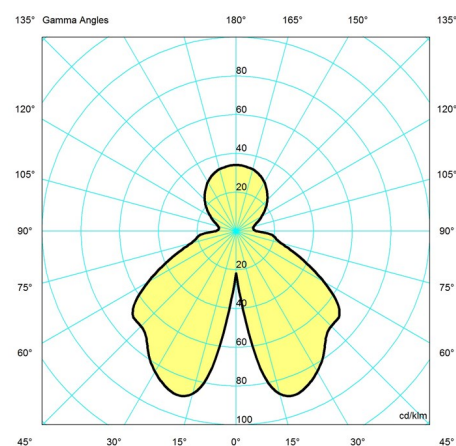
## Cartesian



## Isolux



## Polar



## Spare parts & accessories

Product	Variant number
PH 2/1 Table Lamp Dusty Terracotta top cover	5744171407
PH 2/1 Table Lamp Dusty Terracotta top nut	5744171410
PH 2/1 Table Lamp Dusty Terracotta shadeholder	5744171423
PH 2/1 Table Lamp Dusty Terracotta lower shade	5744171766
PH 2/1 Table Lamp Dusty Terracotta middle shade	5744171779
PH 2/1 Table Lamp Dusty Terracotta top shade	5744171782

## Data specifications

Colour	Dusty terracotta	Length	200
Width	200	Height	355
Built-in Height	-	IP class	20
Class	II	Net Weight	1.4
Standby (W)	-	Power Factor (P = 100 % / P = 50 %)	-
Inrush Current	-	Light source	-

**PH 2/1 Dusty Terracotta Table Lamp**

Kelvin	-
SDCM	-
Watt	<b>2.0</b>
Light control	-
UGR Transversal / Axial	<b>11.6/11.6</b>
Driver life	-

CRI	-
Lumen	<b>93</b>
Efficacy	<b>47</b>
Min. Dim Level (%)	-
L80B50 (hours)	-