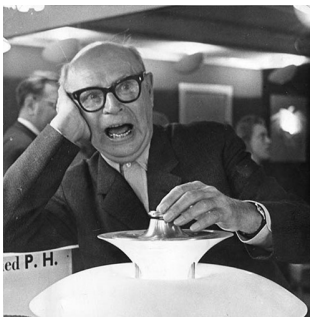


PH 2/1 WALL

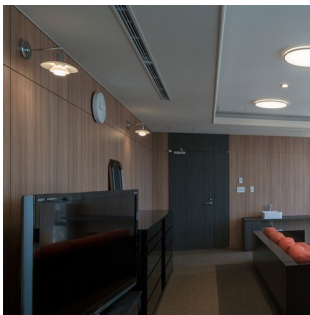
PH 2/1 Wall - 5743141629

The fixture is designed based on the principle of a reflective three-shade system, which directs the majority of the light downwards. The shades are made of mouth-blown opal three-layer glass, which is shiny on the top and sandblasted matt on the inside, giving a soft and diffused light distribution.



Poul Henningsen

The very influential Danish designer, architect, writer, and cultural critic, Poul Henningsen (1894-1967), has had a huge impact on Danish thinking and design. His legacy is an integrated part of Louis Poulsen's endeavor to shape light.



**Yokohama
College of
Dental Care and
Health Sciences**



Private residence, Sipoo

Product info

Mounting

Mounting with cord and plug or for hardwiring. With cord: Cord with plug. Cord length: 2.9m. Light control: On/off switch on wall box. Without cord for hardwiring: Wall bracket for mounting on wall. Light control: Two options. Either with on/off switch on wall box or without switch on wall box with turn on/off at main switch

Finish

White opal glass. High lustre chrome plated.

Materials

Shades: Mouth-blown white opal glass. Wall box: High lustre chrome plated, spun brass. Suspension: High lustre chrome plated, spun aluminium. Arm: High lustre chrome plated, brass.

Sizes and weights

Width x Height x Length (mm) | 200 x 165 x 296 Max 2.0 kg

Class

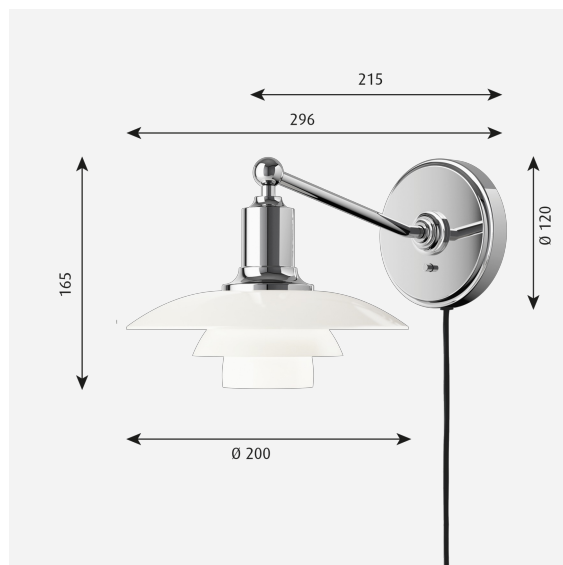
Ingress protection IP20. With cord and plug: Electric shock protection II. For hardwiring: Electric shock protection I.

Specification notes

The innovation of light sources is ongoing. Consequently we only inform about the max. wattages. On www.louispoulsen.com we update a list of recommendable light sources.

Light source

1x20W E14



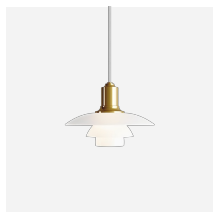
Related products



PH 2/1 Table



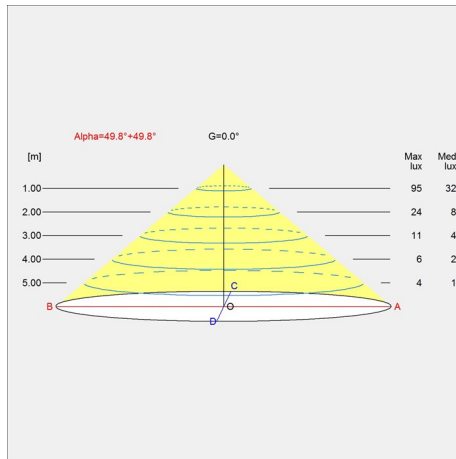
PH 2/1 Stem Fitting



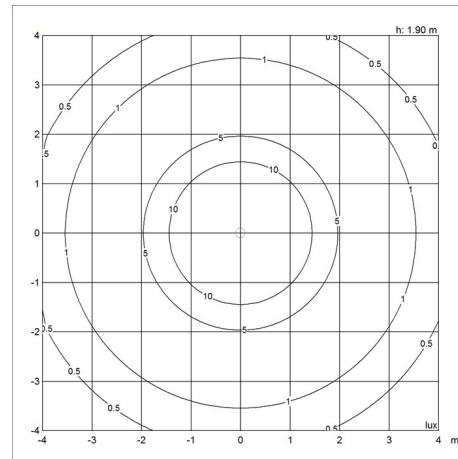
PH 2/1 Pendant

Light distribution diagrams

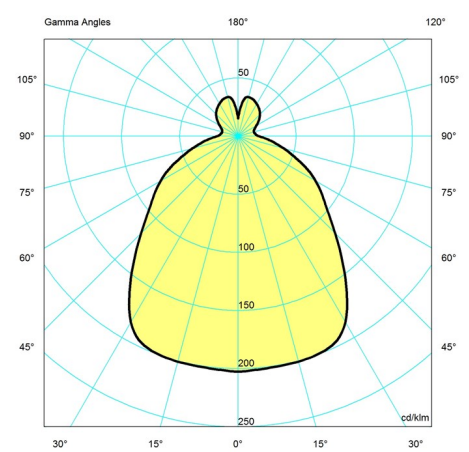
Cartesian



Isolux



Polar



Spare parts & accessories

Product

PH 2/1 Opal glass middle shade
 PH 2/1 Opal glass lower shade
 PH 2/1 Opal glass top shade
 PH 2/1 Table, springholder w/springs

Variant number

5741084940
 5741084953
 5741084937
 5741086333

Data specifications

Colour	White opal glass	Length	296
Width	200	Height	165
Built-in Height	-	IP class	-
Class	II	Net Weight	2.0
Standby (W)	-	Power Factor (P = 100 % / P = 50 %)	-
Inrush Current	-	Light source	1x20W E14
Kelvin	-	CRI	-

PH 2/1 Wall

SDCM	-
Watt	5.0
Light control	-
UGR Transversal / Axial	16.0/16.0
Driver life	-

Lumen	332
Efficacy	66
Min. Dim Level (%)	-
L80B50 (hours)	-