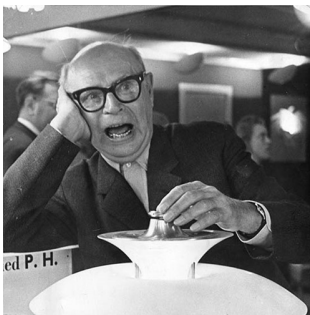


PH 2/2 LUNA TABLE LAMP

PH 2/2 Luna Table Lamp - 5744167699

The table lamp with three glass shades emits soft diffused light creating ambient room illumination while also casting downward-directed light onto the surface. The head is adjustable and can rotate to the sides.



Poul Henningsen

The very influential Danish designer, architect, writer, and cultural critic, Poul Henningsen (1894-1967), has had a huge impact on Danish thinking and design. His legacy is an integrated part of Louis Poulsen's endeavor to shape light.



Product info

Information

Please note that the untreated brass will change over time and develop a patina. PH initial is engraved on the edge of the base. The adjustable upper part of the lamp can be tilted 45 degrees to the right or left by turning the shade holder and tightening the finger screw.

Mounting

Cable: Brown textile cable with plug. Cable length: 2.8 m. Brass switch.

Finish

Untreated brushed brass with fine hairlines. White opal glass, glossy on the outside and sandblasted on the inside.

Materials

Shades: Mouth-blown 3-layered opal glass. Socket housing, shade holder, stem, base and switch: Untreated brass with fine hairlines. Bottom diffuser: Frosted glass.

Sizes and weights

Width x Height x Length (mm) | 200 x 324 x 511 Max 1.2 kg

Class

Ingress protection IP20. Electric shock protection II w/o ground.

Light source

1x15W E27

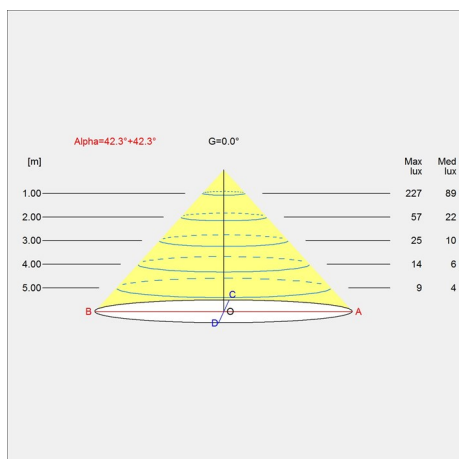
Information

Please note that the untreated brass will change over time and develop a patina. PH initial is engraved on the edge of the base. The adjustable upper part of the lamp can be tilted 45 degrees to the right or left by turning the shade holder and tightening the finger screw.

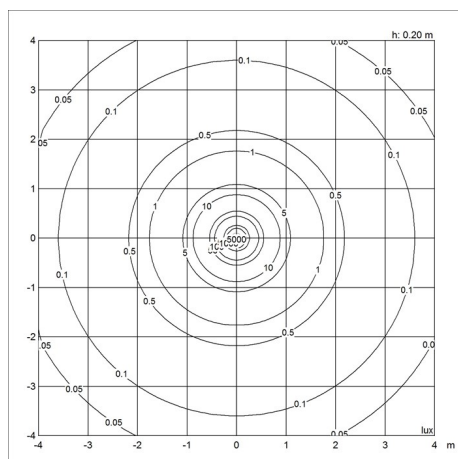


Light distribution diagrams

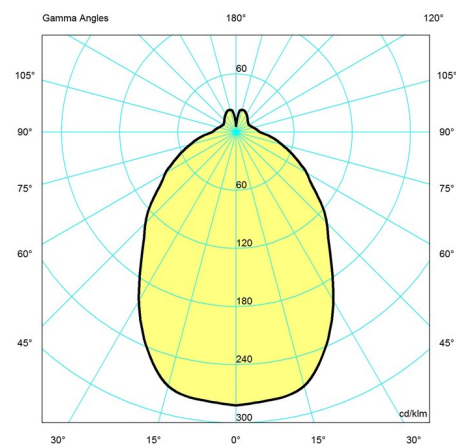
Cartesian



Isolux



Polar



Spare parts & accessories

Product	Variant number
PH 3-2, middle shade glass	5741481598
PH 3-2, lower shade glass	5741481608
PH 2-2, top shade opal glass	5744163570

Data specifications

Colour	Brass/glossy opal glass	Length	511
Width	200	Height	324
Built-in Height	-	IP class	20
Class	II	Net Weight	1.2
Standby (W)	-	Power Factor (P = 100 % / P = 50 %)	-
Inrush Current	-	Light source	1x15W E27
Kelvin	-	CRI	-

PH 2/2 Luna Table Lamp

SDCM	-
Watt	-
Light control	-
UGR Transversal / Axial	18.2/18.2
Driver life	-

Lumen	-
Efficacy	-
Min. Dim Level (%)	-
L80B50 (hours)	-