

PH 3-2½ BOLLARD

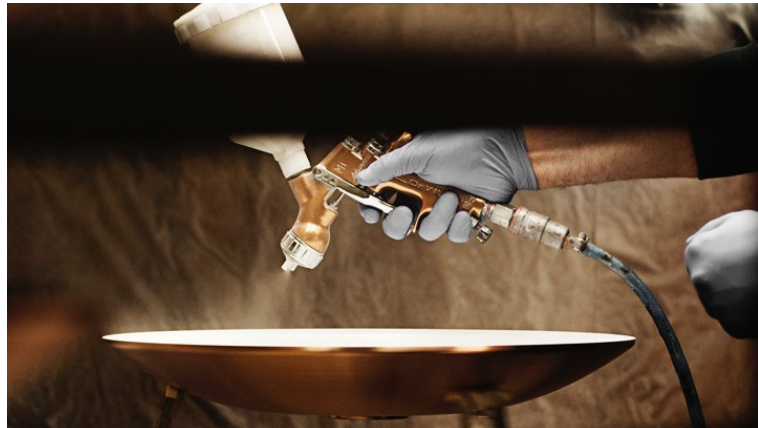
PH 3-2½ Bollard - 5747293366

The fixture is designed based on the principle of a reflective three-shade system, which directs the light downwards. The shades have a matt white painted interior surface, diffusing the light in a comfortable way.



Poul Henningsen

Poul Henningsen was born in Copenhagen by the famous Danish writer Agnes Henningsen. He never graduated as an architect, but studied at The Technical School at Frederiksberg, Denmark from 1911-14, and then at Technical College in Copenhagen from 1914-17.



Product info

Environmental Product Specification

This product is compliant with the requirements contained in the European Directives, RoHS Directive 2011/65 and 2015/863. This product is designed so that 100% of the product can be disassembled and reused.

Information

Earth anchor to be ordered separately. Anchor bolts to be sourced locally.

Mounting

Terminal block: 1x5x2.5mm². Terminal block positioning: In post. Cable entries: 2x bottom entries Ø 17mm. Looping: Approved, max. 5x2,5mm². Post w/base plate for surface mounting: H: 909mm incl. fixture head. Post dia. 32mm.

Finish

Black, powder coated.

Materials

Top shade: Spun stainless steel. Middle/lower shade: Spun stainless steel. Shadeholder: Form pressed glass. Post: Stainless steel.

Sizes and weights

width x Height x Length (mm) | 283 x 910 x 283 Max 3.7 kg | 283 x 1260 x 283 Max 4.0 kg

Class

Ingress protection IP44. Electric shock protection I.

Specification notes

The innovation of light sources is ongoing. Consequently we only inform about the max. wattages. On www.louispuulsen.com we update a list of recommendable light sources.

Light source

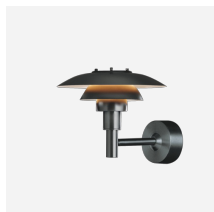
1x20W E27

Information

Earth anchor to be ordered separately. Anchor bolts to be sourced locally.



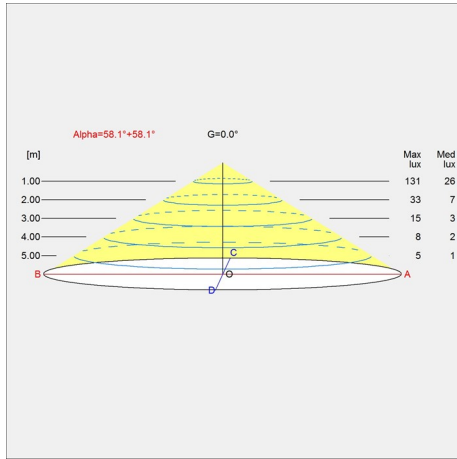
Related products



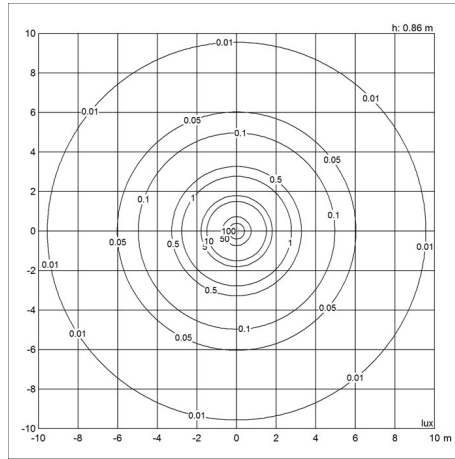
PH 3-2½ Outdoor Wall Lamp

Light distribution diagrams

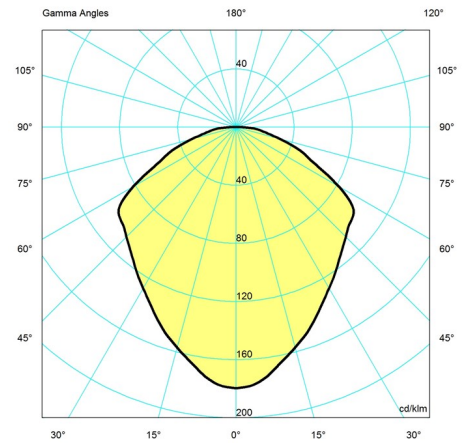
Cartesian



Isolux



Polar



Spare parts & accessories

Product

Anti-Theft screws 3 pcs M8X20 copper
 PH3-2½ BOL./TOLDBOD BOL.EARTH ANCHOR NEW
 PH 3-2½ BOL/WAL V2, GLASS

Variant number

5747293476
 5747293696
 5747293382

Data specifications

Colour	Black (RAL RAL 9011 G: 30)	Length	283
Width	283	Height	910
IP class	44	IK class	-
Class	I	Net Weight	3.7
Wind Load (m2)	-	Standby (W)	-
Power Factor (P = 100 % / P = 50 %)	-	Inrush Current	-
Light source	1x20W E27	Kelvin	-

PH 3-2½ Bollard

CRI	-
Lumen	349
Efficacy	6
Min. Dim Level (%)	-
BUG Rating	B0 U0 G0
Driver life	-

SDCM	-
Watt	60
Light control	-
Surge Protection	-
L80B50 (hours)	-