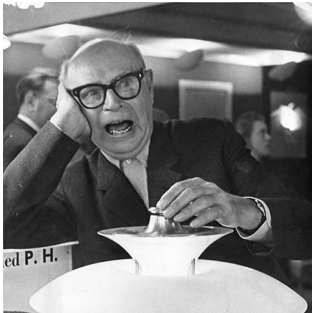


# PH 5

The fixture provides a comfortable, glare-free light, based on the principle of Poul Henningsen's reflective three-shade system, which directs the majority of the light downwards. It emits a lateral light as well as illuminating itself, providing a soft radiance from within its core. The lower shade is furthermore fitted with a frosted diffuser glass to ensure that the downward directed light is 100% glare-free.



## Poul Henningsen

Poul Henningsen was born in Copenhagen by the famous Danish writer Agnes Henningsen. He never graduated as an architect, but studied at The Technical School at Frederiksberg, Denmark from 1911-14, and then at Technical College in Copenhagen from 1914-17.



**Restaurant  
Madsen**



# Product info

## Environmental Product Specification

This product is compliant with the requirements contained in the European Directives, RoHS Directive 2011/65 and 2015/863. This product is designed so that 100% of the product can be disassembled and reused.

## Information

Colour of anti-glare disc: Blue: White Classic, Monochrome Blue and Hues of Orange. Green: Hues of Red and Hues of Rose. Red: Hues of Green and Hues of Blue. Rose: Pastel Blue Rose Peach, Hues of Grey and White Modern. Peach: Pastel Oyster Blue Rose. Same colour/material as main shade on Monochrome and Metal variants. Colour of struts: Purple: White Classic. Bronze coloured: White Modern and Hues of colours. White: Copper, Brass and Pastels. Same colour as main shade on Monochrome variants. Cable and canopy: Monochrome Black: Black cable and canopy. All others: White cable and canopy. Please note that the copper and brass surface is untreated. This means that the surface will change over time and develop a patina. This process may have already begun when the product is delivered.

## Mounting

Suspension type: Cable 2x1mm<sup>2</sup>. Canopy: Yes. Cable length: 3m.

## Finish

White Classic or White Modern: Matt powder coated. Monochrome Pale Rose, Monochrome Oyster Grey, Monochrome Black, Monochrome Blue or Monochrome White: Matt, wet painted. Pastels Oyster Blue Rose or Pastels Blue Rose Peach: Matt wet painted. Hues of Blue, Hues of Green, Hues of Grey, Hues of Orange, Hues of Red, Hues of Rose: Matt wet painted. Metal variants: Polished Brass or Copper: Matt, powder coated. Please note that the copper and brass surface is untreated. This means that the surface will change over time and develop a patina.

## Materials

Lower shade: Spun steel. Other shades and anti-glare disc: Spun aluminium, spun copper or spun brass. Struts: Rolled aluminium. Diffuser: Frosted glass.

## Sizes and weights

Width x Height x Length (mm) | 500 x 267 x 500 Max 3.5 kg

## Class

Ingress protection IP20. Electric shock protection II w/o ground.

## Specification notes

The innovation of light sources is ongoing. Consequently we only inform about the max. wattages. On [www.louispoulsen.com](http://www.louispoulsen.com) we update a list of recommendable light sources.

## Light source

1x75W E27

## Information

Colour of anti-glare disc:

Blue: White Classic, Monochrome Blue and Hues of Orange.

Green: Hues of Red and Hues of Rose.

Red: Hues of Green and Hues of Blue.

Rose: Pastel Blue Rose Peach, Hues of Grey and White Modern.

Peach: Pastel Oyster Blue Rose.

Same colour/material as main shade on Monochrome and Metal variants.

Colour of struts:

Purple: White Classic.

Bronze coloured: White Modern and Hues of colours.

White: Copper, Brass and Pastels.

Same colour as main shade on Monochrome variants.

Cable and canopy:

Monochrome Black: Black cable and canopy.



All others: White cable and canopy.

Please note that the copper and brass surface is untreated. This means that the surface will change over time and develop a patina. This process may have already begun when the product is delivered.



## Related products

### Product variants

Colour			Cable type	Light source
<input checked="" type="radio"/> Brass		PH 5 Retake	<input checked="" type="radio"/> Black fabric cord	<input checked="" type="radio"/> 1x75W E27
<input checked="" type="radio"/> Copper		PH 5 Anniversary Edition	<input type="radio"/> White fabric cord	

- Hues of blue
- Hues of green
- Hues of grey
- Hues of orange
- Hues of red
- Hues of rose
- Monochrome black
- Monochrome blue
- Monochrome oyster grey
- Monochrome pale rose
- Monochrome white
- Pastels blue rose peach
- Pastels oyster blue rose
- White classic
- White modern

# Product description

Suspended shade luminaire  
4 shades ensures minimal direct view of lamp  
Geometry created to ensure illumination of large rooms  
Iconic design  
Family of two dimensions  
Top shade to hide insert

---

## Mounting

Can be mounted on 4" octagonal junction box. (USA only)  
Relamping by removing bottom-center glare shield held in place with spring-loaded tabs.

---

## Light description

Spherical light distribution  
Top trumpet shaped shade provides vertical illumination of room  
Three lower primarily directs light down  
Internal reflector and bottom glass shield protect against glare  
Geometry ensures uniform light around the fixture  
Matte painted undersurfaces of shades creating uniform light distribution around the fixture

---

## Design

Poul Henningsen

---

## Material

Shades: Spun aluminum, 0.8 mm (0.03") thick.  
On PH5 White and PH50 variants: red interior adds warmth to light.  
Internal struts of matte chrome plated aluminum.  
Socket: Porcelain, medium base, for A-23 clear envelope lamps.  
Socket position is adjustable to allow correct lamp position and fixture illumination.  
Canopy: 5.3" diameter x 0.9" tall cone of spun aluminum.  
Cable: white PVC coated, 12 ft. (USA)

---

## Weight

Min: 2.003 kg Max: 3.483 kg

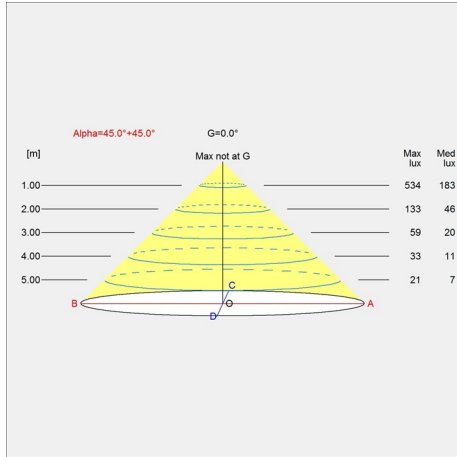
---

## Finish

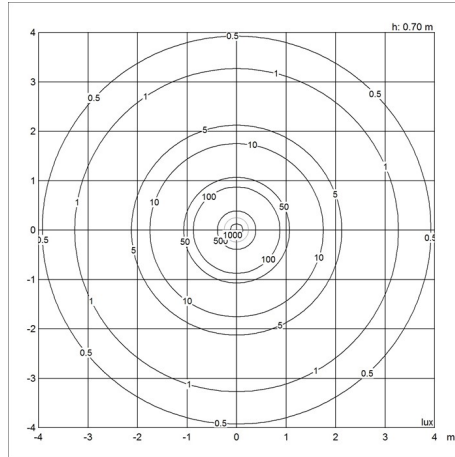
Brass, Copper, Hues of blue, Hues of green, Hues of grey, Hues of orange, Hues of red, Hues of rose, Monochrome black, Monochrome blue, Monochrome oyster grey, Monochrome pale rose, Monochrome white, Pastels blue rose peach, Pastels oyster blue rose, White classic, White modern

# Light distribution diagrams

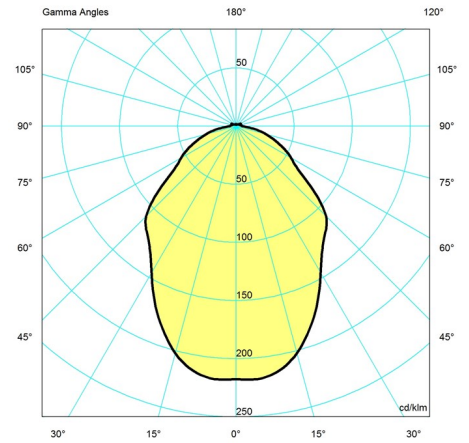
Cartesian



Isolux



Polar



## Spare parts & accessories

Product	Variant number
Canopy White 2-part tophat ©	5749329034
Canopy Black 2-part tophat©	5749329021
PH 5 electrical assembly white f/old	5741086498
PH 5 glass disc	5741093300
PH 5 Bearing plate 10/56, t/standard susp.	5741480667
Extension nipple f/stand. suspen	5741480670
PH 5 red/blue 100W inc bottom plate	5741481394
PH 5 Purple spacers	5741093407
PH 5 Bronze spacers	5741100235
Relief nipple white	5741481268
PH 5 Alu spacers	5741100015
PH 5 electrical assembly (EU)	5741099948
PH 5 White spacers	5741100248
PH 5 Monochrome White spacers	5741106093
PH 5 Monochrome Blue spacers	5741106103
PH 5 Monochrome Black spacers	5741106116