

PH 80

PH 80 - 5744610816

The fixture emits a diffused, reflected, symmetrical light. The majority of the light is directed downward. The opal acrylic shades provide comfortable room lighting. On the original fixture, the red hue of the top reflector adds an intense, warm glow to the light. The black and white fixtures have a white top reflector that reflects the light for a clean, elegant look. The choice of light source will determine the color of the illumination.



Poul Henningsen

The very influential Danish designer, architect, writer, and cultural critic, Poul Henningsen (1894-1967), has had a huge impact on Danish thinking and design. His legacy is an integrated part of Louis Poulsen's endeavor to shape light.



Product info

Mounting

Cord type: Plastic cord with plug. Cord length: 2.6 m. Light control: on/off switch or dimmer on cord.

Finish

White opal acrylic shades. High-luster chrome-plated stand with textured black base. Black stand with smooth black base. White stand with smooth white base.

Materials

Shades: High-pressure molded white opal acrylic. Top reflector: Red or white polycarbonate. Top cover and base: Black or white; high-pressure molded ABS. Stand: High-luster chrome-plated, or black or white powder-coated steel.

Sizes and weights

Width x Height x Length (mm) | 550 x 1315 x 550 Max 7.6 kg

Class

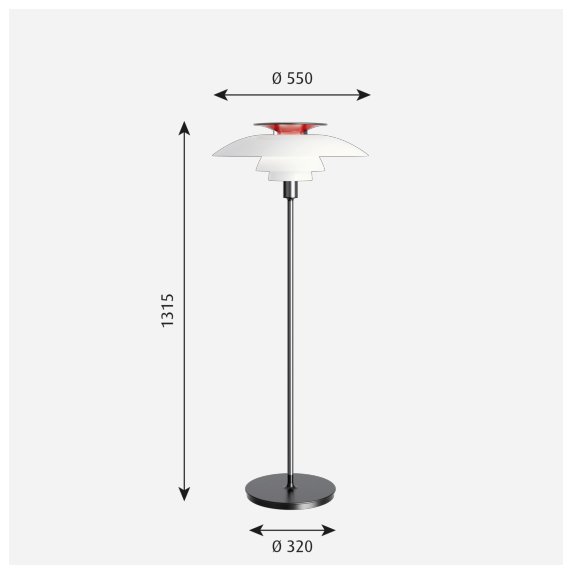
Ingress protection IP20. Electric shock protection II.

Specification notes

The innovation of light sources is ongoing. Consequently we only inform about the max. wattages. On www.louispoulsen.com we update a list of recommendable light sources.

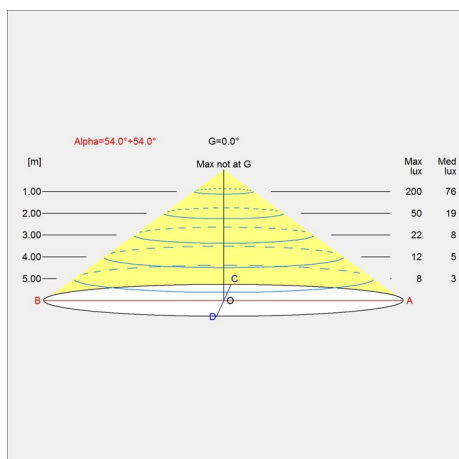
Light source

1x70W E27

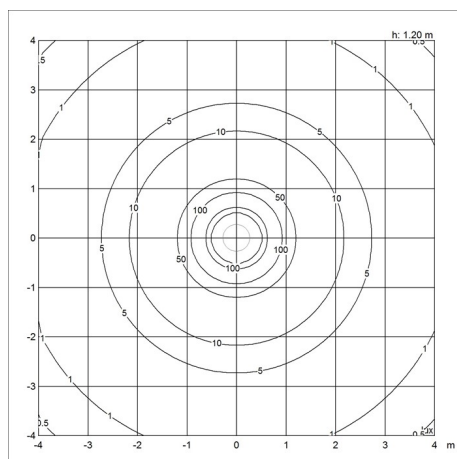


Light distribution diagrams

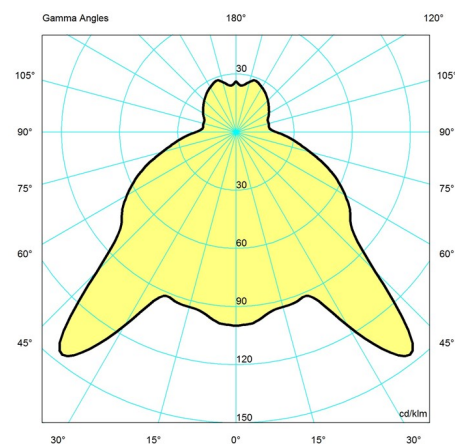
Cartesian



Isolux



Polar



Spare parts & accessories

Product	Variant number
PH 80 Floor, Top shade	5744610298
PH 80 Floor, middle shade	5744610638
PH 80 Floor, lower shade	5744610641
PH 80 Floor, Red/Black top shade	5744610667
PH 80 Floor, socket cover with branch	5744610654
PH 80 Floor, rebuilding set	5744610793
PH 80 Floor, White/Black top shade	5744611530
PH 80 Black socket cover w/branch	5744611543
PH 80 Floor, White/White top shade	5744611556
PH 80 White socket cover w/branch	5744611569
PH 80 Floor white rebuilding set	5744611572
PH 80 Floor black rebuilding set	5744611585
PH 80 Floor black switch with dimmer	5744611666
PH 80 Floor white switch with dimmer	5744611679
Black foot switch	5717000000

Data specifications

Colour	White opal acryl/high lustre chrome plated	Length	550
--------	--	--------	-----

Width	550
Built-in Height	-
Class	II
Standby (W)	-
Inrush Current	-
Kelvin	-
SDCM	-
Watt	18
Light control	-
UGR Transversal / Axial	13.4/13.4
Driver life	-

Height	PH 80 1315
IP class	20
Net Weight	7.4
Power Factor (P = 100 % / P = 50 %)	-
Light source	1x70W E27
CRI	-
Lumen	1143
Efficacy	64
Min. Dim Level (%)	-
L80B50 (hours)	-