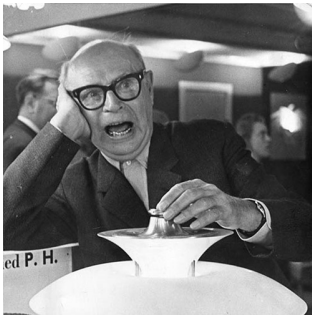


# PH SNOWBALL

PH Snowball - 5741115275

The fixture emits comfortable glare-free diffused light. Matt painted undersurfaces and glossy top surfaces result in an attractive reflection of the diffused light, creating uniform light distribution around the fixture.

When the light is switched on, the top portion is illuminated while the bottom part remains dark.



## Poul Henningsen

The very influential Danish designer, architect, writer, and cultural critic, Poul Henningsen (1894-1967), has had a huge impact on Danish thinking and design. His legacy is an integrated part of Louis Poulsen's endeavor to shape light.



## Product info

### Mounting

E27: Cable 3 x 0,75 mm<sup>2</sup>. Cable length: 3 m. Canopy: Yes. LED: Cable 2 x 1,5 mm<sup>2</sup>. Cable length: 4 m. Canopy: Yes. LED canopy contains driver.

### Finish

Wet painted outside in White, Dusty Blue, Dusty Blue or Soft White, and white painted inner side. <br> High lustre chrome plated or polished brass metallised.

### Materials

<p>Shades: Spun aluminium. <br />Frame: Brass metallised, die cast zinc or High lustre chrome plated, die cast aluminium. <br />Housing: Brass metallised, spun zinc or High lustre chrome plated, spun aluminium.</p>

### Sizes and weights

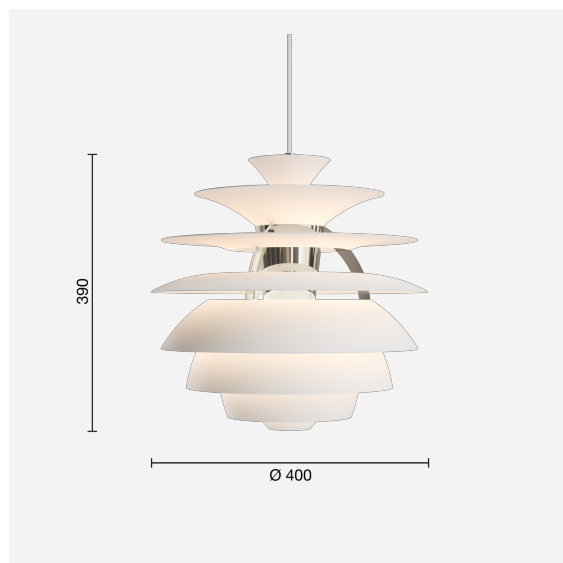
width x Height x Length (mm) | 400 x 390 x 400 Max 4.5 kg

### Class

Ingress protection IP20. Electric shock protection I w. ground.

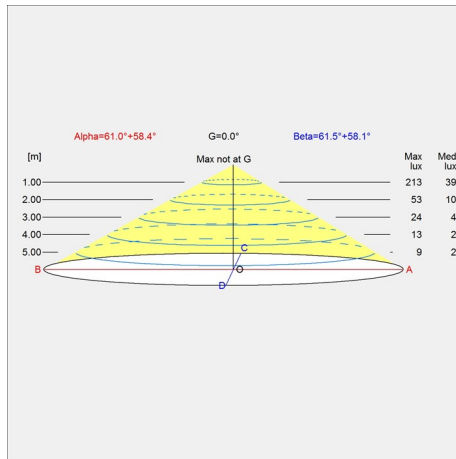
### Light source

1x70W E27

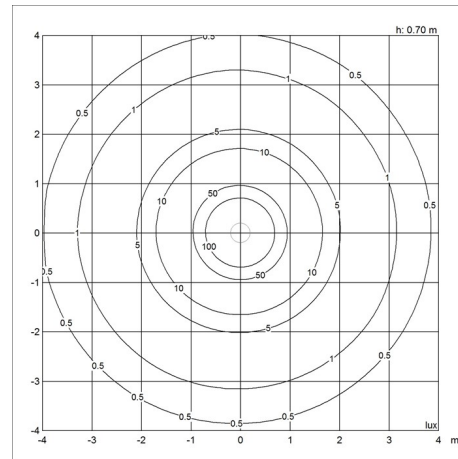


# Light distribution diagrams

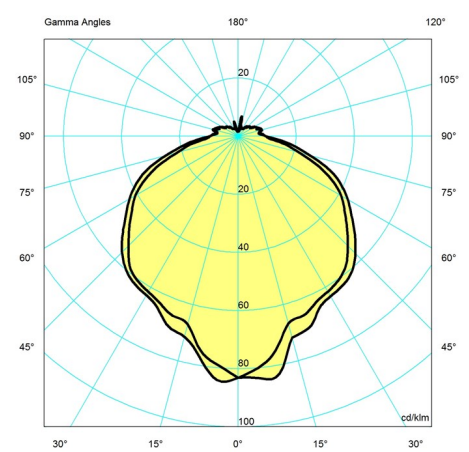
## Cartesian



## Isolux



## Polar



## Spare parts & accessories

### Product

Canopy White 2-part tophat @  
PH Snowball bottom shade

### Variant number

5749329034  
5741086456

## Data specifications

Colour	Soft white/high lustre chrome plated	Length	400
Width	400	Height	390
Built-in Height	-	IP class	20
Class	I	Net Weight	1.8
Standby (W)	-	Power Factor (P = 100 % / P = 50 %)	-
Inrush Current	-	Light source	1x70W E27
Kelvin	-	CRI	-
SDCM	-	Lumen	734

**PH Snowball**

Watt	21
Light control	-
UGR Transversal / Axial	14.2/14.2
Driver life	-

Efficacy	35
Min. Dim Level (%)	-
L80B50 (hours)	-