



CorePro Glass LED bulbs

CorePro LEDBulbND 7-60W E27 A60 827FR G

Featuring a classic heritage design, these filament LED lamps combine the familiar shapes of classic incandescent bulbs with the benefits of long-lasting LED technology. A very easy choice for people who are looking for a retrofit LED replacement, these CorePro LED bulbs provide 90% energy savings compared with conventional lamps. CorePro Glass LED bulbs provide excellent quality of light in a vintage style. CorePro LED lighting that offers a lifetime of 15,000 hours to reduce maintenance costs.

Product data

General Information		Operating and Electrical	
Cap-Base	E27 [E27]	Line Frequency	50 to 60 Hz
Nominal lifetime	15,000 hour(s)	Input Frequency	50 to 60 Hz
Switching Cycle	30,000	Power Consumption	7 W
Lighting Technology	LED	Lamp Current (Nom)	60 mA
Flux measurement reference	Sphere	Wattage Equivalent	60 W
Light Technical		Starting Time (Nom)	0.5 s
Color Code	827 [CCT of 2700K]	Warm-up time to 60% light	0.5 s
Luminous Flux	806 lumen	Power Factor (Fraction)	0.51
Color Designation	Warm White (WW)	Voltage (Nom)	220-240 V
Correlated Color Temperature (Nom)	2700 K	Temperature	
Luminous Efficacy (rated) (Nom)	115.00 lm/W	T-Case Maximum (Nom)	50 °C
Color Consistency	<6	Controls and Dimming	
Color rendering index (CRI)	80	Dimmable	No
LLMF At End Of Nominal Lifetime (Nom)	70 %		

CorePro Glass LED bulbs

Mechanical and Housing

Bulb Finish	Frosted
Bulb Shape	A60 [A 60mm]

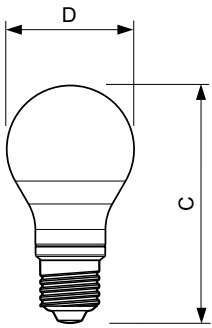
Approval and Application

Energy Efficiency Class	E
Energy Consumption kWh/1000 h	7 kWh
EPREL Registration Number	387366
CE mark	Yes
EU RoHS compliant	Yes

Product Data

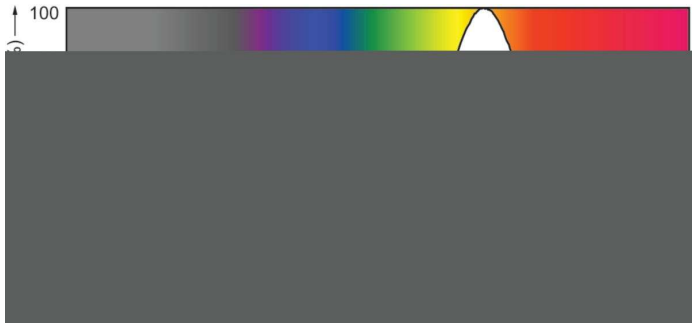
Full product code	871951436124900
Order product name	CorePro LEDBulbND 7-60W E27 A60 827FR G
Order code	929001243002
Numerator - Quantity Per Pack	1
Numerator - Packs per outer box	10
Material number (12NC)	929001243002
Full product name	CorePro LEDBulbND 7-60W E27 A60 827FR G
EAN/UPC - Case	8719514361256

Dimensional drawing

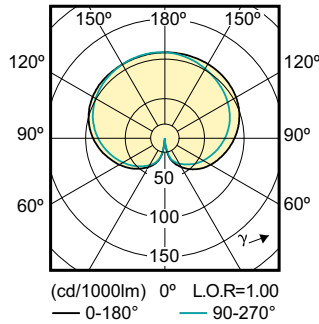


Product	D	C
CorePro LEDBulbND 7-60W E27 A60 827FR G	60 mm	110 mm

Photometric data



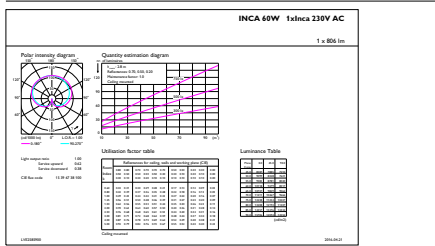
Spectral Power Distribution Colour - CorePro LEDBulbND 7-60W E27 A60 827FR G



Light Distribution Diagram - CorePro LEDBulbND 7-60W E27 A60 827FR G

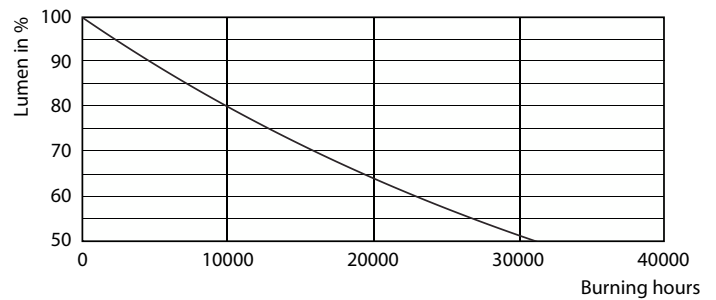
CorePro Glass LED bulbs

Photometric data



General uniform lighting - CorePro LEDBulbND 7-60W E27 A60 827FR G

Lifetime



Life Expectancy Diagram - CorePro LEDBulbND 7-60W E27 A60 827FR G

Lumen Maintenance Diagram - CorePro LEDBulbND 7-60W E27 A60 827FR G

