



# MASTER VALUE LEDspot PAR

## MAS LEDspot VLE D 9.5-75W 927 PAR30S 25D

With its robust design and warm-white beam of light, these new-generation PAR lamps are ideal for general lighting and spot lighting in the hospitality industry. It's a dimmable solution. They are especially suitable for public areas such as lobbies, corridors, stairwells, where the light is always on. The product offers more energy saving comparing with normal LED spots.

### Product data

General information	
Lighting Technology	LED
Flux measurement reference	Narrow Cone
Switching Cycle	50,000
Nominal lifetime	25,000 h
Cap base	E27 [E27]
Light technical	
Colour Code	927 [CCT of 2700K]
Beam angle (nom.)	25 degree(s)
Luminous Flux	740 lm
Luminous intensity (nom.)	3,000 cd
Colour designation	Warm White (WW)
Correlated Colour Temperature	2700 K
Luminous Efficacy (rated) (Nom)	77 lm/W
Colour consistency	<6
Colour rendering index (CRI)	90
LLMF at end of nominal lifetime (nom.)	70 %
Luminous flux in 90° cone (rated)	740 lm
Flickering value (PstLM)	1

Stroboscopic effect	0.4
Operating and electrical	
Line Frequency	50 to 60 Hz
Input frequency	50 to 60 Hz
Power Consumption	9.5 W
Lamp current (nom.)	60 mA
Wattage equivalent	75 W
Starting time (nom.)	0.5 s
Warm-up time to 60% light	0.5 s
Power Factor (Fraction)	0.7
Voltage (nom.)	220-240 V
Temperature	
T-Case maximum (nom.)	80 °C
Controls and dimming	
Dimmable	Only with specific dimmers

# MASTER VALUE LEDspot PAR

## Mechanical and housing

Lamp Finish	Clear
Bulb shape	PAR30S [PAR 3.75 inch/95 mm short]

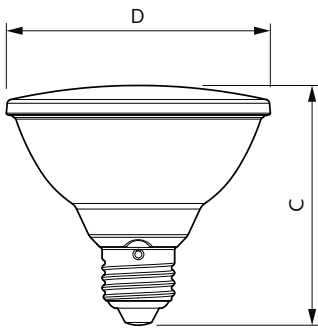
## Approval and application

Energy Efficiency Class	F
Suitable for accent lighting	Yes
Energy consumption kWh/1,000 hours	10 kWh
EPREL registration number	1121746
EU RoHS compliant	Yes

## Product data

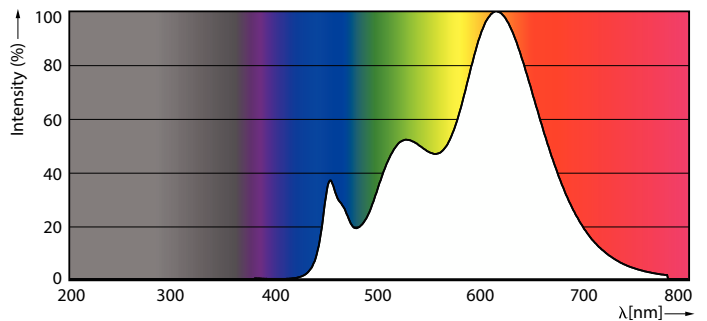
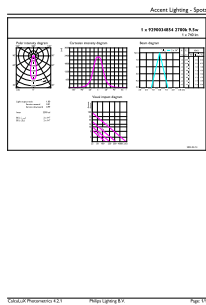
Full EOC	871951444320400
Order product name	MAS LEDspot VLE D 9.5-75W 927 PAR30S 25D
Order code	44320400
SAP numerator – quantity per pack	1
Numerator – packs per outer box	6
Material number (12NC)	929003485402
Full product name	MAS LEDspot VLE D 9.5-75W 927 PAR30S 25D
EAN/UPC – Case	8719514443211

## Dimensional drawing



Product	D	C
MAS LEDspot VLE D 9.5-75W 927 PAR30S 25D	95 mm	86 mm

## Photometric data

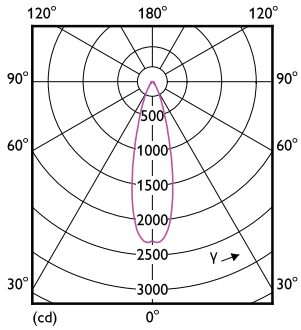


Accent Lighting Spots - MAS LEDspot VLE D 9.5-75W 927 PAR30S 25D

Spectral Power Distribution Colour - MAS LEDspot VLE D 9.5-75W 927 PAR30S 25D

# MASTER VALUE LEDspot PAR

## Photometric data



Light Distribution Diagram - MAS LEDspot VLE D 9.5-75W 927 PAR30S 25D

## Lifetime



Life Expectancy Diagram - MAS LEDspot VLE D 9.5-75W 927 PAR30S 25D



Lumen Maintenance Diagram - MAS LEDspot VLE D 9.5-75W 927 PAR30S 25D

