

# ALINE

MANUAL

Pendant lamp  
Afterroom  
2022

pholc

## ALINE

Reviving a classic cone silhouette and updating it for today, Aline is an elegant companion to daily life. Designed by Afterroom, the pendant's shade boasts a clean, modern outline, supported by a powder-coated aluminium ring that comes in four colourways. An exercise in thoughtful simplicity, the translucent shade brings a calming atmospheric light to the entire room, as well as illuminating the area directly below – making it flexible enough for any use at work or home. Available in two sizes, the lightweight plastic shade is fully recyclable and can be easily detached for seamless updates.

## AFTERROOM

Afterroom is a design studio based in Stockholm. Founded and directed by Hung-Ming Chen and Chen-Yen Wei, their mission is to create beautiful products that will accumulate emotional value over time, resulting in design objects one wants to grow old with. Their inspiration begins with an interest in forms, senses, proportions, materials, and cultures. Building on their design philosophy of simplicity and honesty, Aline is Afterroom's first collaboration with Pholc.

## PHOLC

Founded in 2015 by Maja and Samuel Norburg, Pholc is a distinctly Swedish lighting brand with a new take on Scandinavian design. The brand collaborates with talents from diverse fields with a commitment to creating meaningful and versatile designer lamps with strong personalities.

PRODUCT	COLOR	ART
ALINE 40	Cotton	430 113
ALINE 40	Aluminium	430 114
ALINE 40	Black	430 115
ALINE 40	Chamomile	430 118
ALINE 58	Cotton	431 113
ALINE 58	Aluminium	431 114
ALINE 58	Black	431 115
ALINE 58	Chamomile	431 118

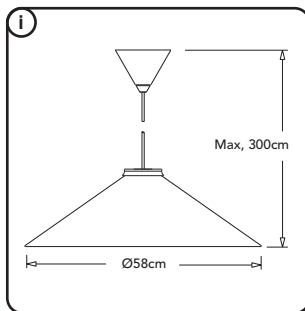
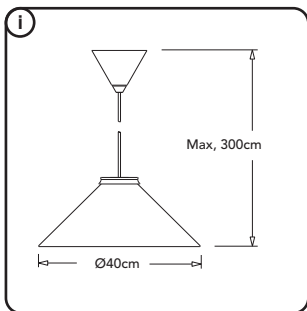
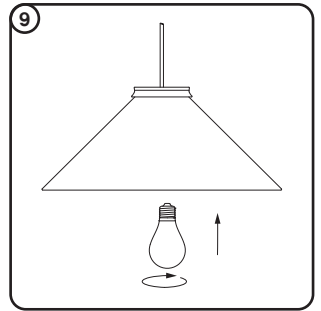
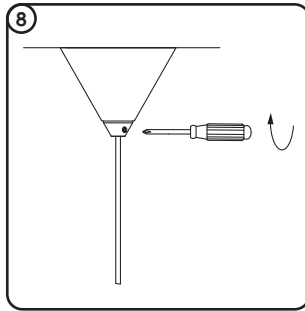
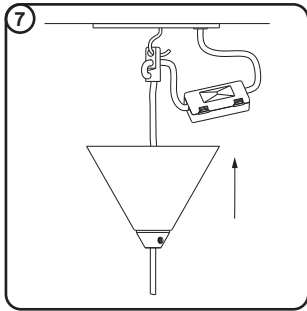
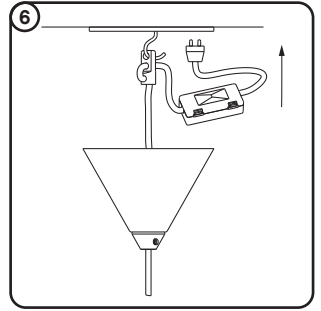
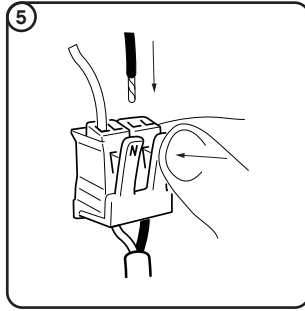
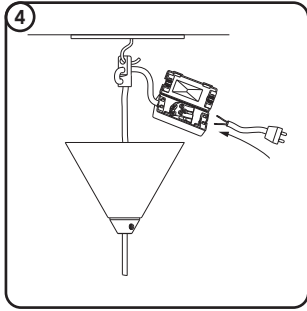
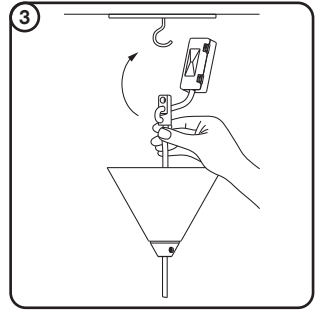
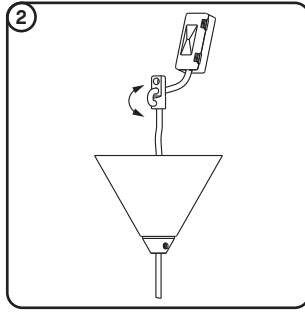
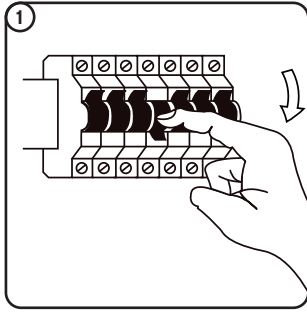
**EXPRESSIVE.**

**SOPHISTICATED.**

**RELEVANT.**

**INFORMED.**

**ASSEMBLE**



Plug in the power supply of  
AC 230V 50/60Hz;  
Max Watt 1x25W E27  
LED Bulb  
The light source can easily  
be changed by the end user

Cleaning instructions:  
Wipe with a dry cloth



**EN** Installation instruction

**CAUTION: DISCONNECT POWER**

Always shut off power at the circuit breaker or disconnect fuse when installing or repairing this or any other electric appliance. Failure to do so may result in severe injury.

1. Make sure the bulb does not touch the shade
2. If the external flexible cable or cord of this lamp is damaged, it shall be exclusively replaced by the manufacturer, the service agent or a similar qualified person in order to avoid a hazard.

**SV** Installationsanvisning

**VARNING: BRYT STRÖMMEN**

Se till att lampan är spänningslös innan installationen påbörjas. Underlåtenhet att göra detta kan leda till allvarlig personskada.

1. Säkerställ att ljuskällan inte rör skärmen
2. Om sladden eller någon kabel till lampan är skadad får utbyte av delar endast utföras av person med rätt kvalifikationer för att undvika att man utsätter sig för fara.

**DE** Installationsanweisung

**VORSICHT: TRENNEN SIE DIE STROMVERSORGUNG**

Schalten sie die stromversorgung aus stellen sie sicher, dass die lampe stromlos ist, bevor sie mit der installation beginnen. Andernfalls kann es zu schweren verletzungen kommen.

1. Stellen sie sicher, dass die glühbirne den schirm nicht berührt
2. Wenn das externe flexible kabel dieser leuchte beschädigt wird, wenden sie sich ausschließlich an den hersteller, seinen kundendienst oder eine ähnlich qualifizierte person, um eine gefährdung zu vermeiden.

**FI** Asennusohje

**VAROITUS: KATKAISE VIRTA**

Ennen asennusta varmista ettei valaisimessa ole virtaa. Jos näin ei tehdä seurauksena voi olla vakavia vammoja.

1. Varmista ettei valonlähde ole kosketuksessa varjostimeen
2. Jos jokin valaisimeen kytketyistä johdoista on vahingoittunut, niin vaaran välttämiseksi vahingoittuneiden osien vaihdon saa suorittaa ainoastaan vaadittavan pätevyuden omaava henkilö.

**FR** Instructions d'installation

**MISE EN GARDE: DÉCONNECTER L'ALIMENTATION**

Coupez toujours l'alimentation au disjoncteur ou débranchez le fusible lors de l'installation ou de la réparation de cet appareil ou de tout autre appareil électrique. Ne pas le faire peut entraîner de graves blessures.

1. Assurez-vous que l'ampoule ne touche pas l'abat-jour
2. Si le câble de ce luminaire est endommagé, il doit être remplacé exclusivement par le fabricant ou par une personne qualifiée afin d'éviter tout incident.

**ES** Instrucciones de instalación

**PRECAUCIÓN: DESCONECTE LA ENERGÍA**

Siempre corte la energía en el disyuntor o desconecte el fusible al instalar o reparar este o cualquier otro aparato eléctrico. No hacerlo puede resultar en lesiones graves.

1. Asegúrese de que la bombilla no toque la pantalla
2. Si el cable exterior flexible o el cordón de esta luminaria está dañado, debe ser sustituido exclusivamente por el fabricante o en su defecto por su servicio técnico o por un profesional cualificado similar para evitar posibles riesgos.