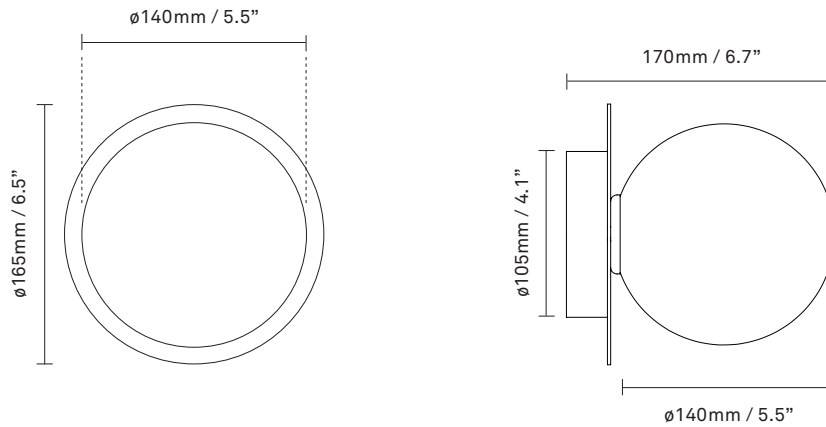


NUURA



LIILA 1 OUTDOOR
dark bronze / opal

Design: Sofie Refer, 2018



Liila 1 Outdoor is an extension of the Liila collection, designed to be suitable for the entrance areas of a home. A thin round sheet of metal in a dark bronze powder coating comprises the base and is topped with an opal white glass globe from which a soft, evenly diffused light is spread. Illuminate every entrance of the home with Liila 1 Outdoor and create a warm welcome.

Explore the rest of the Liila collection on our website, [here](#)

Product no.: EU - 2046009

Certifications: CE, IP54, Class I

Type: Wall / ceiling light - outdoor

Cleaning: Use a soft dry cloth to clean the product.
Do not use household cleaners.

Colour: Glass: opal / Metal: dark bronze

Materials: Powder-coated metal, mouth-blown glass

Light source: Socket: G9
Max wattage: 7W LED
Voltage (V): 220-240V / 120V

Dimensions: 165mm / 6,5in x 170mm / 6,7in
Ceilling plate: \varnothing 105mm / 4.1in
Glass: \varnothing 140 / 5,5in

See recommended light source [here](#)

Weight: Armature + glass: 540g

Light sources not included

Packaging: Dimensions: L: 340mm / 13.3in x
W: 190mm / 7.4in x H: 180mm / 7in
Weight: 460g
Total weight incl. product: 1010g
Number of parcels: 1
Material: Brown cardboard

Dimmable if installed with appropriate dimmable LED light source(s) suitable for your dimmer circuit.

Light source can be added to delivery on request or via our webshop at [nuura.com](#).

Works with appropriate lighting control module. Module can be added to delivery on request.

Find our recommendations [here](#)