


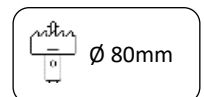
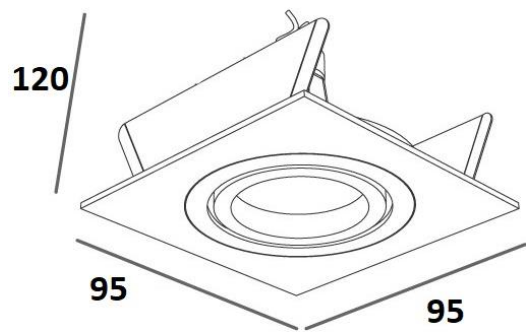
Datasheet

RD113AL

RD113AL.11



Reference :	RD113AL.11
Colour :	11 – Brushed Aluminium
Materials :	Aluminium
Adjustable :	No
Lampholder:	GU10 x 1
Voltage :	220-240Vac, 50-60Hz, max 7,5W
Bulb included :	No
Dimensions:	Fixture dimensions : 95mmX95MM x 25mm  Cutting hole : \varnothing 80mm
Class rating :	CE - IP20 - Class 2
Origin :	Made in P.R.C.
Warranty :	5 years



Also available in the RD225 range :

	Colour	Number of GU10 bases	Dimensions
RD113AL.20	Matt White	1 x	95mmX95MM x 25mm

