

## Lámina 165

Antoni Arola. 2023  
Wall Lamp



Lamina's use offers a comfortable ambient light for multiple uses.  
White and concave lampshades opens up new depths of space both vertically and horizontally.

### General description:

White grey metallic shade with glossy finish (exterior).  
Black metal structure with matte finish.  
Polycarbonate diffuser.

### Approximate weight (unpacked):

2,8 Kg / 6.2 lb

### Technical information:

Light source included (dimnable).  
Built-In LED

Rated input wattage: 37 W  
Operating current: 1.000 mA  
CCT: 2.700K  
CRI: 90  
Lifetime: 40.000 h  
Luminous flux: 1.484 lm

Built-in LED.  
Suitable for dimming 0-10V / DALI (UL 1-10V). Not included external dimmer switch.  
Suitable only for indoor use.  
Always use this light source.

Input voltage: 110 ~ 277 Vac.  
(50 Hz / 60 Hz). According to destination.

### Regulations:

CE  
UNE-EN 60598  
UNE-EN 55015  
UNE-EN 60529

UL  
UL-1598  
UL-8750  
E-336377  
Dry location only

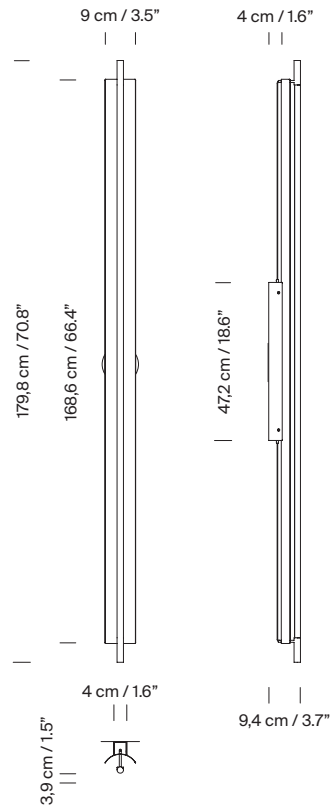
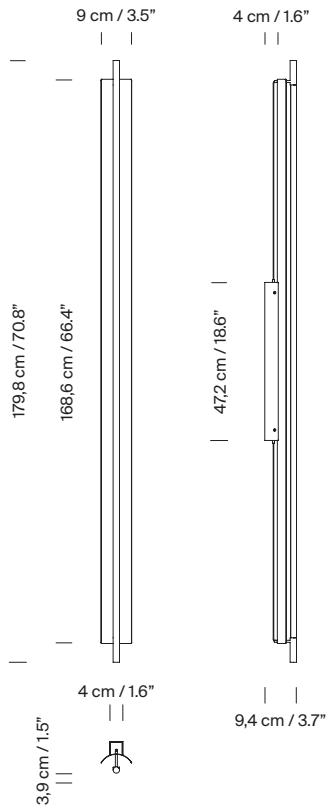
**Maintenance:**

Clean with a smooth cloth. Do not use ammonia, solvents or abrasive cleaning products.

**Others:**

The lamp is delivered in one package.  
 The assembly instructions are delivered with the product.

**Model:**



**Collection:**

Table lamps

Floor lamps

Pendant lamps



Lámina 45



Lámina 45



Lámina 165



Lámina 45 / 85



Lámina 165



Lámina Mayor

Wall lamps



Lámina 45



Lámina 165