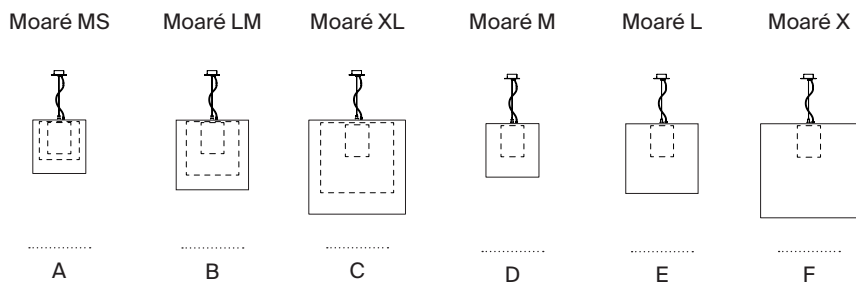


Moaré

Antoni Arola. 2003
Pendant lamps



The Moaré series takes its name from the iridescent effect achieved by the two cylindrical shades, which create optical illusions as their textures react against the light. Today, the collection includes a range of colours and formats for a wide variety of uses. An interplay of transparency and colours. The pendant and the floor versions both feature three central bulbs and an interior diffuser that ensures the brightness is diluted.

Antoni Arola was awarded the Spanish National Design Prize in 2003, and he is recognised as one of the most outstanding members of Spanish design. His versatility and common sense have allowed him to create a range of brilliant designs, from a perfume bottle to a lamp, to large scale interior design projects.

General description:

Two superimposed cylindrical polyester lampshades.

With a range of sizes and colours (white, red, grey and black), numerous combinations are possible.

Aluminium structure with graphite black finish and cast aluminium base.

Acrylatine methacrylate cylindrical diffuser. Metallic graphite black square canopy.

Suitable for Junction Box (UL market).

Electric cable length: 3 m / 118.1"

Approximate weight (unpacked):

(A) Moaré MS: 5,5 kg / 12.1 lb

(B) Moaré LM: 6,3 kg / 13.9 lb

(C) Moaré XL: 7,8 kg / 17.1 lb

(D) Moaré M: 4,5 kg / 9.9 lb

(E) Moaré L: 4,8 kg / 10.6 lb

(F) Moaré X: 6 kg / 13.2 lb

Technical information:

Light source included (CE market):

3 x LED bulb: 12 W / 1.521 lm / 2700K / A++ (subject to updates in LED technology)

E27 - E26 / Max. hgt. 130 mm / 5.1" / Max. power 100 W

Compatible with bulbs of the Energy efficiency class (E.E.C): A++ ... E.

Suitable only for indoor use.

Always use the light source recommended or equivalent.

Input voltage: 100, 120, 230 Vac.

(50 Hz / 60 Hz). According to destination.

Moaré

Antoni Arola. 2003
Pendant lamps

Regulations:

CE
UNE-EN 60598
UNE-EN 55015
UNE-EN 60529

UL

Dry location only
UL-1598
E-353545

Maintenance:

Clean with a smooth cloth. Do not use ammonia, solvents or abrasive cleaning products.

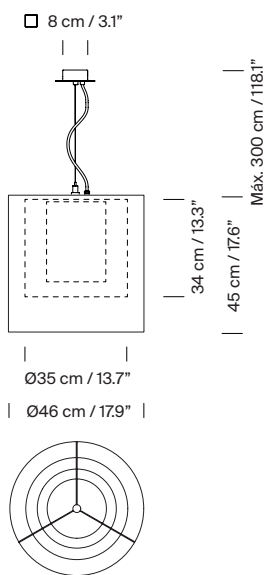
Others:

The lamp is delivered in different packages.
The assembly instructions are delivered with the product.

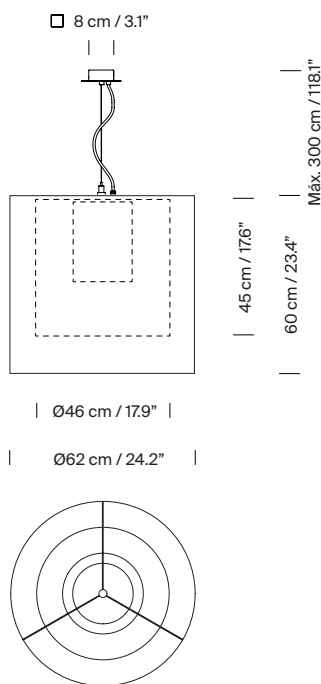
CE Models

CE

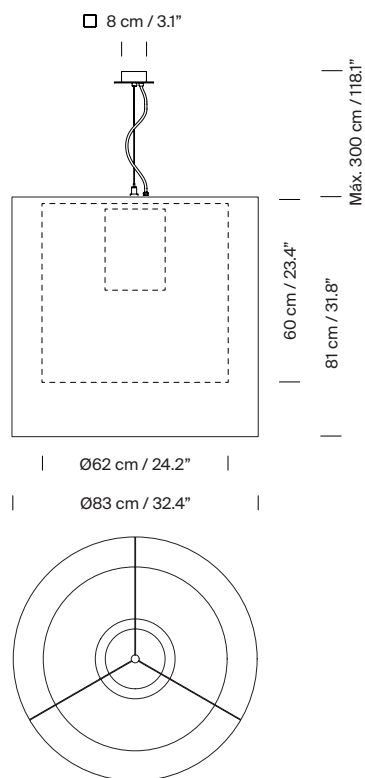
Model A: Moaré MS



Model B: Moaré LM

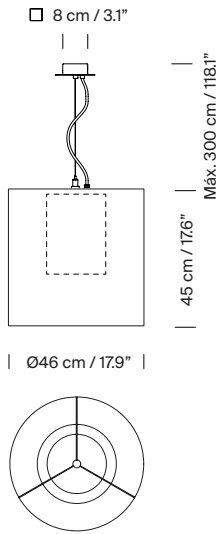


Model C: Moaré XL

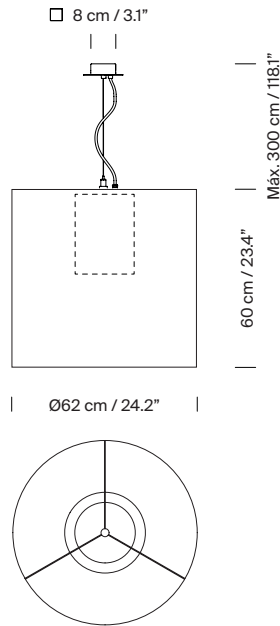




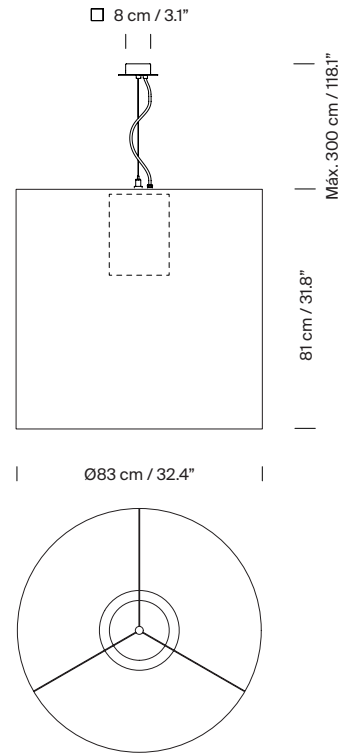
Model D: Moaré M



Model E: Moaré L



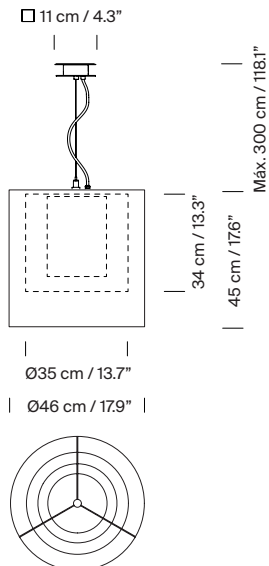
Model F: Moaré X



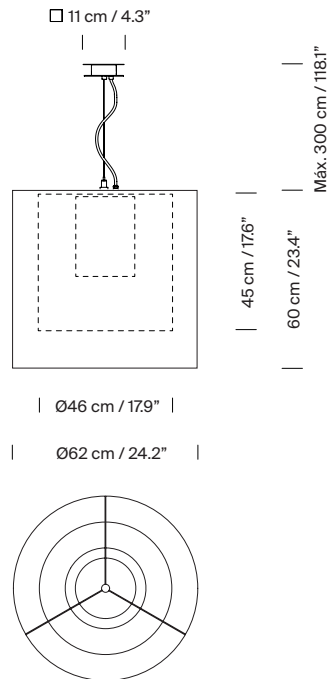
UL Models



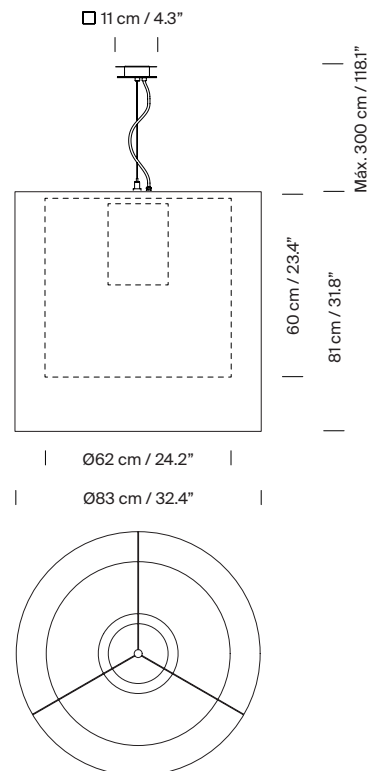
Model A: Moaré MS



Model B: Moaré LM

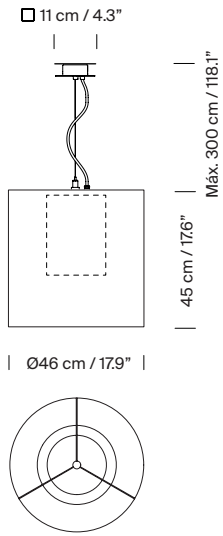


Model C: Moaré XL

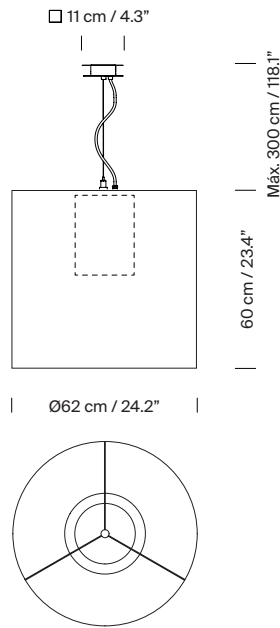




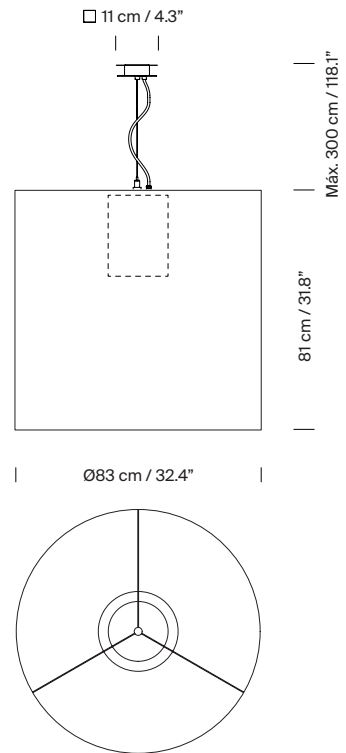
Model D: Moaré M



Model E: Moaré L



Model F: Moaré X



Collection:
 Pendant lamps



Moaré



Moaré Liviana