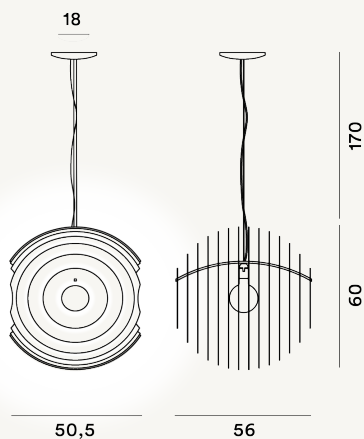


SUPERNOVA SUSPENSION PTL

DIMENSIONE

60 x 56 x 51



COLORE



Aluminium, Fuchsia

CERTIFICAZIONI



PESO

Net kg 8

MATERIALE

Natural aluminium, Lacquered aluminium

CAVO

Transparent

SORGENTE LUMINOSA

Bulb not included E27 150W Max ON-OFF