

TRANSPARENT

User Manual
Bruksanvisning
Manuel De L'utilisateur
Benutzerhandbuch
Manual De Usuario
ユーザーマニュアル
사용 설명서
透明玻璃唱盘机

Transparent Turntable

User Manual
Safety Instructions

TT—B/W



The Transparent Turntable is a high quality vinyl record player. It is built by a tempered glass plinth and dust cover, with most structural parts crafted out of aluminium. These sturdy materials offer a rigid structure to ensure a reliable playback over time.

The belt driven motor system is a reliable method to ensure a consistent playback over a long period of time, and there are precision speed and tracking controls for fine tuning the playback.

We have developed our own tonearm with a custom headshell that can hold any moving magnet cartridge with standard mounting holes, but even the headshell is modular by the standard SME connector.

The tonearm is operated by custom aluminium tonearm grip, lifting lever and clip.

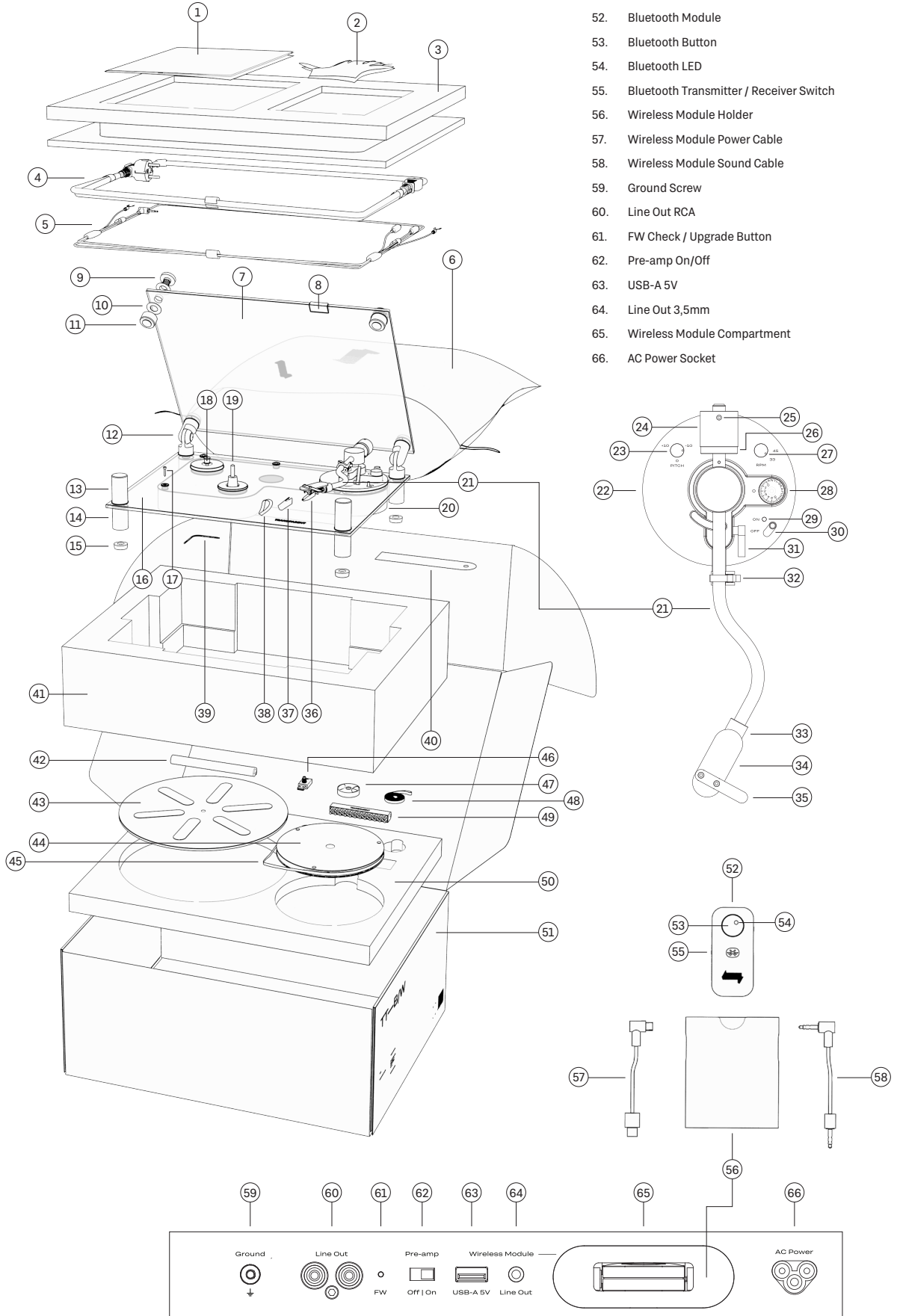
The Transparent Turntable has a built in pre-amp. This means it can play directly to any modern (active) loudspeaker without the need of separate equipment. If you wish to use external amplifiers there is of course a pre-amp on/off switch as well. The TT comes with music cables of course, but to ensure a timeless functionality of the turntable, we have developed a compartment for wireless modules as well. The first generation TT comes with our pre-installed Bluetooth™ module so you can enjoy your vinyl records in a wireless playback if you wish. In future home demands the compartment is ready to adapt and upgrade to future needs.

The completely modular design, high quality build and upgradable nature of this products is part of Transparent's circular design philosophy. It is not only about where all raw materials come from, but also about a plan to make the product stay relevant over a long time to come.

Parts

- 1. User Manual
- 2. Gloves
- 3. Top Buffer
- 4. Power Cable
- 5. Music Cable (RCA)
- 6. Product Bag
- 7. Dust Cover
- 8. Finger Grip
- 9. Pillar Screw x4
- 10. Washers x16
- 11. Top Pillars x2
- 12. Hinge Pillars x2
- 13. Front Pillars x2
- 14. Bottom Pillars x4
- 15. Rubber Feet x4
- 16. Plinth
- 17. Screws
- 18. Motor Pulley
- 19. Spindle
- 20. E Box
- 21. Tonearm
- 22. Tonearm Base Plate
- 23. Precision Speed / Pitch Knob
- 24. Tonearm Counterweight
- 25. Counterweight Set Screw
- 26. Counterweight Dial
- 27. Speed RPM Setting Knob
- 28. Anti Skating Knob
- 29. LED
- 30. On/Off Switch
- 31. Tonearm Lifting Lever
- 32. Tonearm Clip
- 33. Headshell Mount
- 34. Headshell
- 35. Tonearm Grip
- 36. Cartridge
- 37. Cartridge Cover
- 38. Rubber Band
- 39. Assembly Tool (Allen Key/Hex key)
- 40. Cartridge Alignment Tool
- 41. Middle Buffer
- 42. Cloth
- 43. Platter
- 44. Sub-Platter
- 45. Rubber Belt
- 46. USB Ground Adapter
- 47. 45 RPM Adapter
- 48. Extra Rubber Belt
- 49. Record Brush
- 50. Bottom Buffer
- 51. Packaging

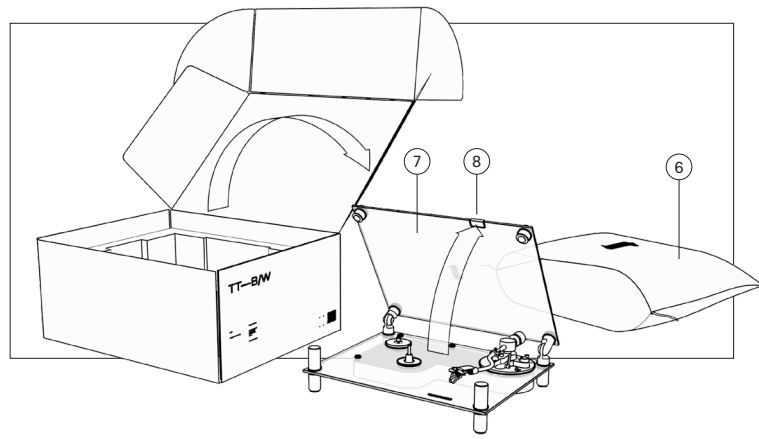
- 52. Bluetooth Module
- 53. Bluetooth Button
- 54. Bluetooth LED
- 55. Bluetooth Transmitter / Receiver Switch
- 56. Wireless Module Holder
- 57. Wireless Module Power Cable
- 58. Wireless Module Sound Cable
- 59. Ground Screw
- 60. Line Out RCA
- 61. FW Check / Upgrade Button
- 62. Pre-amp On/Off
- 63. USB-A 5V
- 64. Line Out 3,5mm
- 65. Wireless Module Compartment
- 66. AC Power Socket



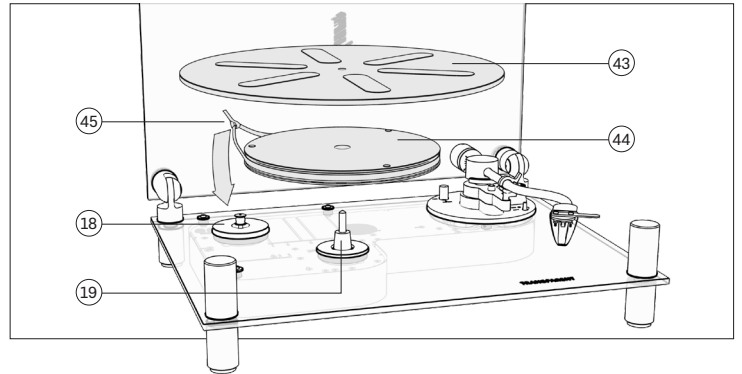
User Manual

Setup Guide

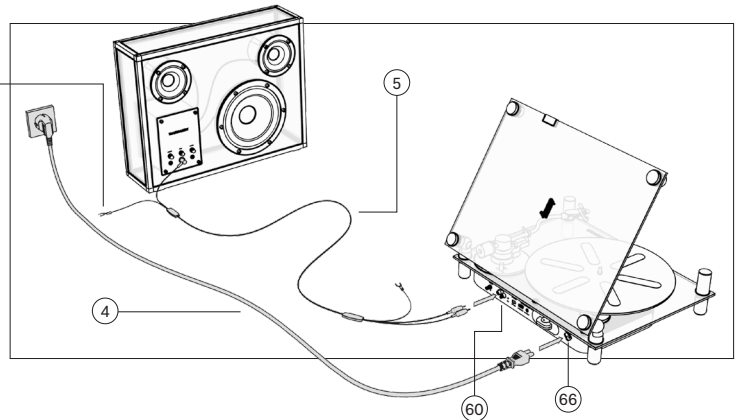
- Unbox your turntable near the speaker you will use with it. Make sure you have enough flat surface to place your turntable and an electrical socket nearby.
- Open the box.
- Put on the gloves (2). Take out the whole top buffer (3) and put it away for now.
- Lift up your turntable from the packaging.
- Open the product bag (6) and gently pull the opening over the front pillars, and then backwards to reveal the full turntable.
- Open the dust cover (7) by the finger grip (8).



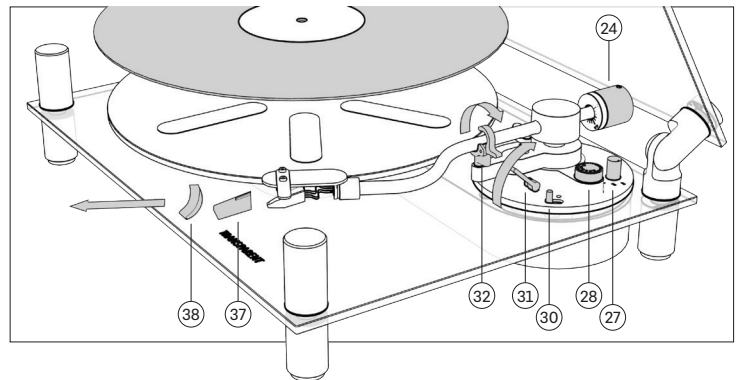
- Take out the sub-platter (44) from the packaging.
- Place the sub-platter on the spindle (19) with the three rubber dots facing upwards.
- Pinch the paper flag holding the rubber belt (45) on the sub-platter side and pull it over the motor pulley (18), then remove the paper flag.
- Place the main platter (43) on top with the six rubber stripes facing upwards.



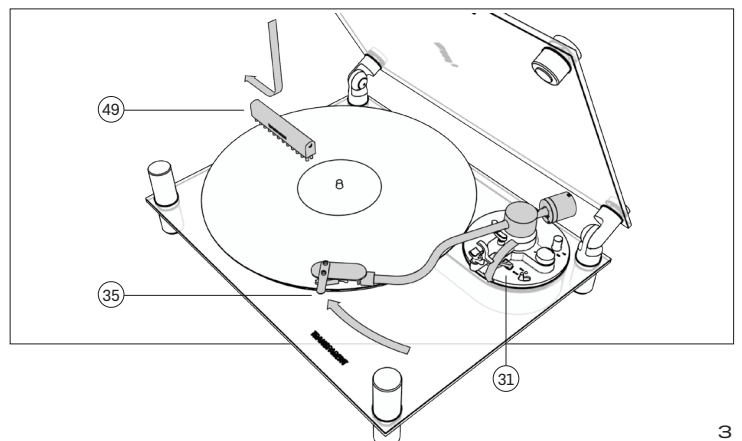
- Connect the power cable (4) first to the AC power socket (66) on the backside of the turntable. Connect the other side to a wall socket.
- Connect the mini-jack of the music cable (5) to the "Line in" on your speaker or amplifier and plug the RCA side of the cable to the RCA line out socket (60) on the backside of the turntable. Make sure you plug the white plug to the white connector and the red plug to the red connector.
- For instructions of the Y shaped ground wire on the sound cable (needed for Small Transparent Speaker) see page 4.
- For playback to two speakers see page 4.
- For playback over Bluetooth see page 4.
- Make sure your speaker is turned on and has the volume at least to 50%.
- Make sure the pre-amp switch (62) in the back of the turntable is in the "on" position. For usage with external amplifiers turn the pre-amp switch to the off position.
- Now place the turntable in the place you want it to be. We recommend using gloves and having the dust cover closed at all times when lifting and moving the turntable.
- If the surface below your turntable is uneven, you have the possibility to adjust the leveling of the rubber feet (15) by using a normal flat head screwdriver.



- The tonearm counterweight (24) comes pre-calibrated, so there is no need to set the weight. For tracking force calibration instructions see page 5.
- Remove the rubber band (38) holding the cartridge cover (37) in place during shipping. Also remove the cartridge cover.
- Place your favorite vinyl record on the platter.
- Move the on/off switch (30) to the on position.
- Double check that the speed RPM setting knob (27) is at the 33 RPM position (this is the most common record speed). For playing singles at 45 RPM see page 4.
- Double check that the anti-skating knob (28) is at position 2. For anti-skating settings see page 5.
- Unlatch the tonearm clip (32).
- Raise the tonearm by lifting the tonearm lifting lever (31).



- Move the tonearm by pinching the tonearm grip (35) and position the cartridge needle above the edge at the beginning of the record. By now the record should have started spinning.
- If there is dust or particles on your record, take this time to clean the record using the record brush (49). While the record is spinning and the tonearm is in up position, lower the brush onto the left side of the record so it cleans all the tracks of the record simultaneously, there is no need to move the brush back and forth, just let it catch the debris as the record spins and then move it out from the record.
- Lower the tonearm by lowering the tonearm lever (31).
- You should now hear music. If needed, fine tune the speed using the pitch knob (23). Adjust the volume on your speaker and enjoy the moment.



- After the record is finished the motor will stop. When you are done playing, first lift the tonearm lever up. Grab the tonearm grip and move the tonearm back over its resting position. Lower the tonearm lifting lever. Latch the tonearm clip. Close the dust cover by the finger grip.

Dust Cover

When opening and closing the dust cover, always use the finger grip (8) to avoid smudging the glass. While playing a record or when not in use the cover should be down to protect from dust. If you find the hinge force to be too strong or over time perhaps too loose, use the assembly tool (39) attached to the bottom of the E box and tighten the hinge screws to find the desired hinge force. Remember to remove all platters and to use gloves if turning your turntable upside down.

If you prefer using your turntable without the dust cover for some reason you can dismantle it using only your fingers:

- Unscrew the four pillar screws (9) on the top, remove the dust cover and the two top pillars (11).
- Unscrew the two front pillars (13) and the two hinge pillars (12) and put them away.
- Attach the four pillar screws, this time through the plinth and down into the bottom pillars (14). Make sure they have a washer (10) each to protect the glass.

If you find your front pillars and top pillars does not align perfectly:

- Unscrew the two top pillar screws and reposition the top pillars so they align with the two front pillars, then tighten them again. If needed, repeat this procedure on the front pillars.

Speed Settings

Most records use the 33 1/3 RPM speed so this is the default speed setting. Some records, often smaller records or singles use 45 RPM speed. These records often have a bigger hole for the spindle, for this you should use the included 45 RPM Adapter (47) when placing your record, and you should change the speed RPM setting knob (27) to 45. If you feel your music playback speed needs further fine tuning you can use the precision speed / pitch knob (23).

Playing to the Small Transparent Speaker over cable / Avoiding ground noise

Turntable pickups are sensitive devices and they can pick up various kinds of unwanted noise in various situations. It can depend on the grounding or shielding in the internal electronic components on various speakers. The bottom side Line In socket on the Small Transparent Speaker sometimes result in unwanted ground noise when playing from a turntable, and we have developed a method to handle this. The RCA cable (5) has a small ground wire with a small "Y shaped" grounding fork on both ends. This fork is meant to be attached to a ground screw (59) on both sides.

First insert the RCA cable to the turntable RCA line out (60) and flip the STS on its side to expose the connectors upwards and insert the mini-jack to the STS Line in.

On the turntable side the ground screw is located on the left side of the RCA line out. Use your fingers and screw the fork in place on the ground screw. On the speaker side, insert the USB Ground Adapter (46) in the USB socket and screw the fork in place on the ground screw. Now you can follow the normal steps to start playing a record.

Note! If playing to the front Line In socket on the STS or if playing to a large Transparent Speaker there should be no need for using the ground wire fork or the USB ground adapter.

Playing to two speakers over cable

All Transparent Speakers come with a sound cable included. This can be used from the 3,5mm line out socket (64) on the turntable to the 3,5mm Line In socket on the back, rear or front of your Transparent speaker (depending on the model).

The second speaker can then be connected using the RCA cable for simultaneous playback.

If one of the speakers is a Small Transparent Speaker, please see instructions of using the USB Ground Adapter (46) above.

If you play to two Small Transparent Speakers, we recommend using the RCA cable (5) with ground wire to the bottom line-in, and the STS included music cable to the front line-in of your second speaker. For Left / Right channel selection on your Transparent Speaker or Small Transparent Speaker please refer to these respective user manuals.

Note! If you wish to play to a pair of traditional loudspeakers we recommend using the RCA cable from the turntable RCA line out (60) to the line in on your existing amplifier that already have your (passive) speakers connected. Consider turning off the pre-amp switch (62) on the back of your TT in this scenario.

Playing to one speaker over Bluetooth

The Transparent Turntable should be compatible with most Bluetooth speakers and headphones on the market, but we can not guarantee compatibility with all protocols from all times. The instructions below will focus on pairing with Transparent speakers. Note! Your smartphone is not needed to pair a speaker with the turntable.

- Make sure both your turntable and speaker are powered on.
- Press the bluetooth button on your Transparent speaker (or other bluetooth enabled speaker).
- Press the Bluetooth button (53) on your Transparent Turntable. Notice how the Bluetooth LED (54) start to blink faster during the pairing mode, and slower again when the connection has been established. You should also hear a sound effect in the speaker confirming the connection.

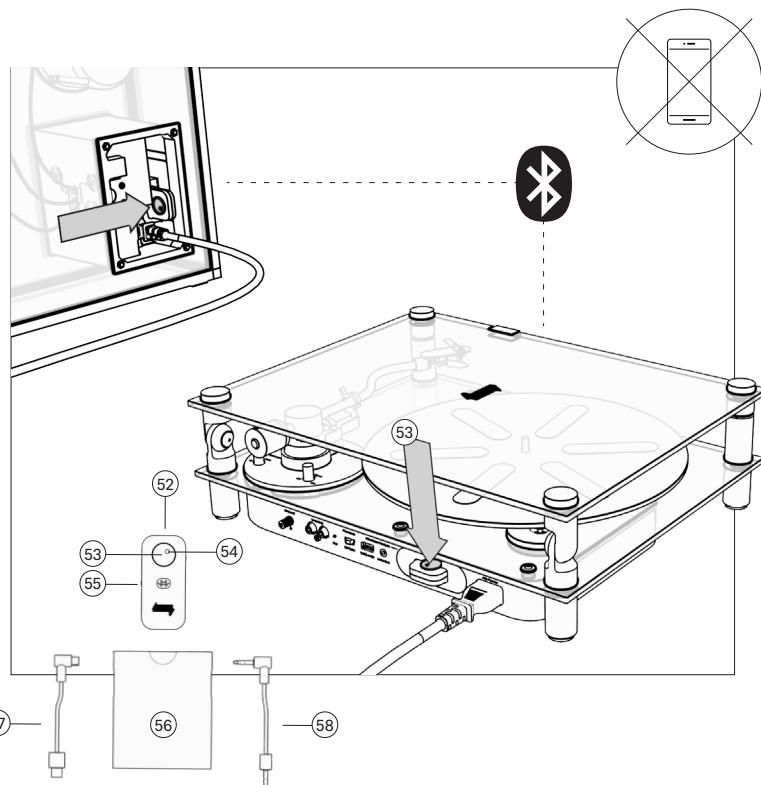
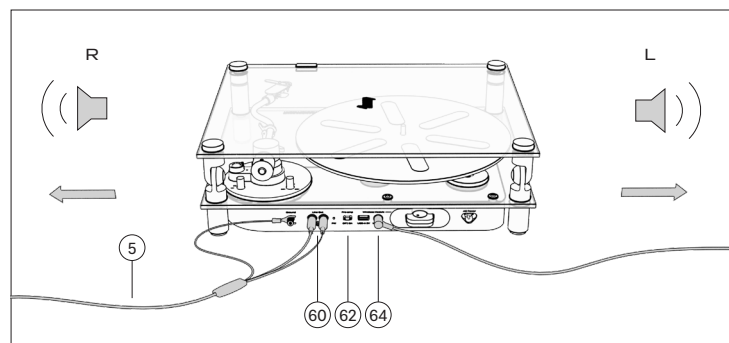
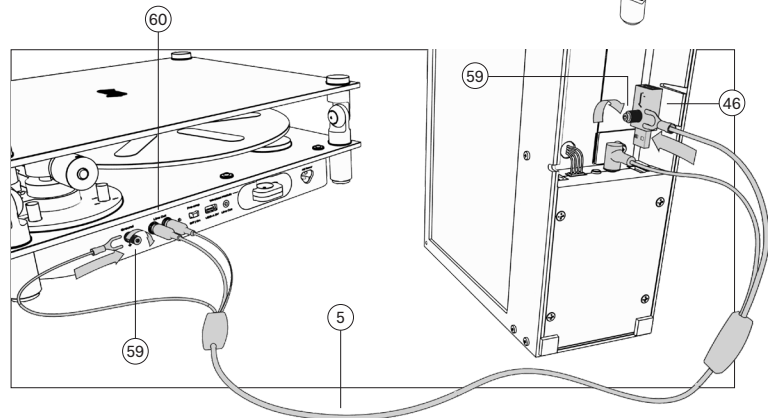
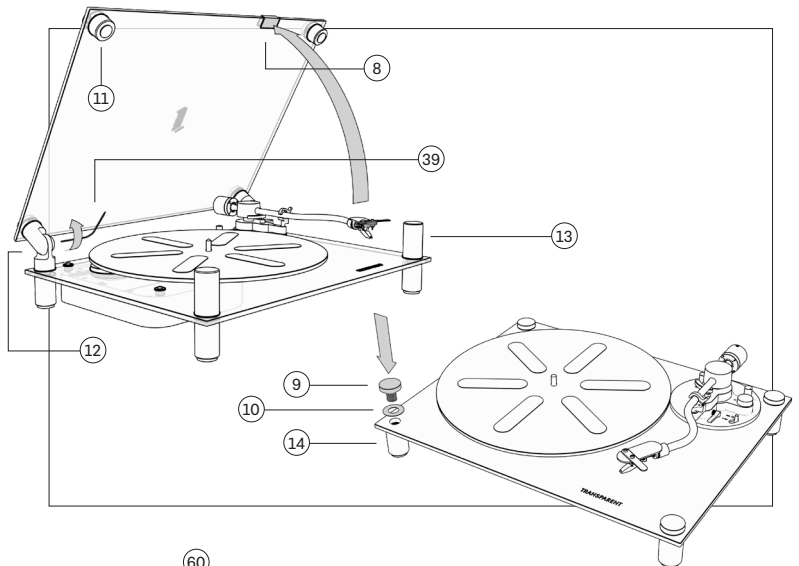
Troubleshooting:

- Make sure the speaker and turntable are close enough together. In some conditions not more than a few meters apart.
- Select "forget device" of your Transparent speakers in the bluetooth settings in all previously paired smartphones, tablets, computers, TVs etc. This is to avoid the speakers connecting to other devices than the turntable during the pairing operation.
- Factory reset by doing a long press of the bluetooth button on your speaker and turntable (usually +6 or +10 seconds) until the bluetooth LED blinks swiftly.
- Make sure the Bluetooth module on the speaker side is set to "Receiver" (N/A on STS) and the Bluetooth module on the turntable side is set to "Transmitter" (55).
- Make sure the turntable Bluetooth module is in fact on, it should have a slowly blinking red light on the button. Otherwise (after removing any record and both platters and with gloves on) carefully flip the turntable upside down and investigate the wireless module compartment (65) so that both cables (57, 58) inside the compartment are sufficiently plugged in to both turntable and Bluetooth module.

Playing to two speakers over Bluetooth

The Transparent Turntable should be compatible with most Bluetooth speakers and headphones on the market, but we can not guarantee compatibility of True Wireless Pairing with all protocols from all times. The instructions below will focus on pairing with Transparent speakers.

- If you have any of the speakers previously paired to smartphones, tablets, laptops, TVs etc, navigate to the Bluetooth menu and select "forget device". Then do a long press FW reset on the speaker Bluetooth button.
- Place your speakers and turntable in the same room, not further away than 5 m from each other, preferably even closer.
- Make sure both speakers and the turntable are powered on.
- Long press the Bluetooth button on the first speaker and release during red LED light and hear

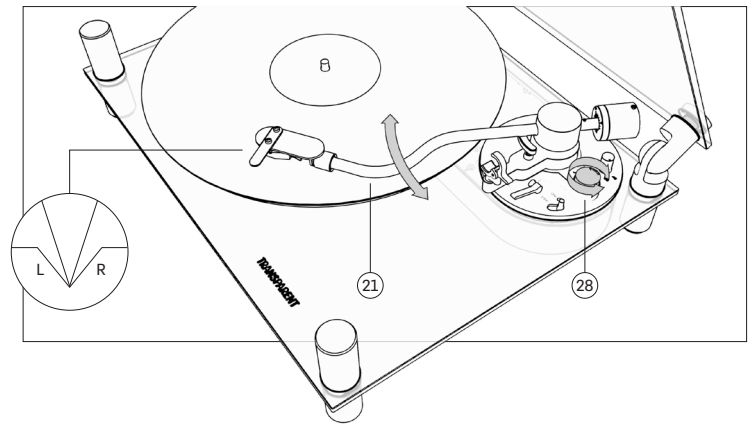


the "True Wireless Pairing Mode" command. Then do the same on the second speaker.

- Tip: Open a smartphone Bluetooth setting and wait for both speakers to show up in the bluetooth new devices list (but don't select them on the screen).
- Now press the pairing button on the turntable (53).
- Now the connection should be completed.
- If using two Small Transparent Speakers or Light Speakers, or a combination of these, they should automatically go into "Left" respectively "Right" channel mode. Otherwise it can be adjusted by long press (see the speaker bottom side instructions). For the large Transparent Speaker you do this selection manually on the back panel by a switch.

Anti-skating

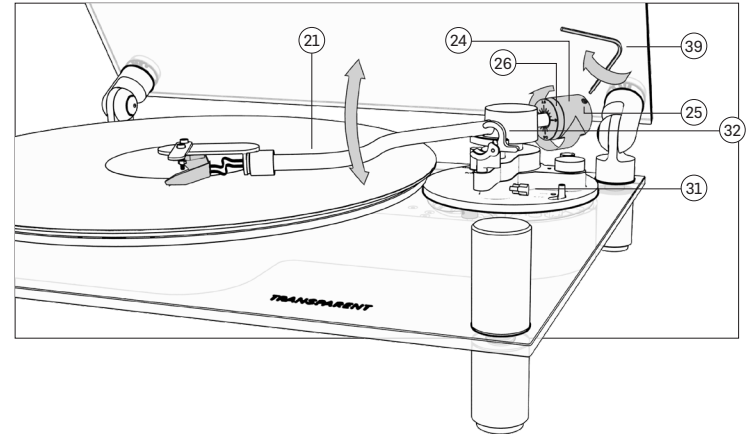
The small "needle" or "stylus" at the tip of the tonearm (21) picks up the music vibrations from a V-shaped groove on the record. The inner or "left" side of the V holds all the sound wave information of the left channel of the music recording, and vice versa on the outer or "right" side of this groove. The tonearm naturally wants to move closer to the center of the record, but if it pulls or "skates" too hard inwards it will push too hard on the left channel side, which in turn creates distortion of the right channel in the music. If you hear this happen you can make the stylus "skate" less inwards by increasing the anti-skating force on the anti-skating knob (28). And vice versa, if you hear distortions of the left channel in the music you should decrease the anti-skating force. The aim is to let the stylus travel in the middle of the V shaped groove. The default anti-skate setting on your TT should be 2.



Vertical Tracking Force / Tonearm Counterweight Calibration

Your TT should arrive with a pre-calibrated tonearm counterweight (24). But if needed please follow the steps below.

- Open the dust cover and use the assembly tool (39) to release the counterweight set screw (25).
- Release the tonearm clip (32) but keep the tonearm lifting lever (31) in down position.
- Grab the counterweight with your fingers, screw it outwards until the tonearm lifts up from its resting position.
- Rotate the tonearm inwards over the record. Now gently screw the counterweight back in until you can see a perfectly balanced tonearm. It does not have to be completely level, but it should float in mid air without moving up or down. Give it some time and when you find a completely balanced position, gently grab the rotatable counterweight dial (26) and turn it to the 0 position. You need to keep the rest of the weight from rotating so you might need to hold it in place with your other hand.
- Find out the recommended tracking force of your cartridge. For example, for the Ortofon OM5E it is 1,75g which can be found on the Ortofon website or user manual. Normally it is around 2g so if you are unsure we recommend this setting.
- Now turn the whole counterweight (including the dial) to the recommended tracking force of your cartridge.
- Finally tighten one of the set screws to fix the now calibrated counterweight position.



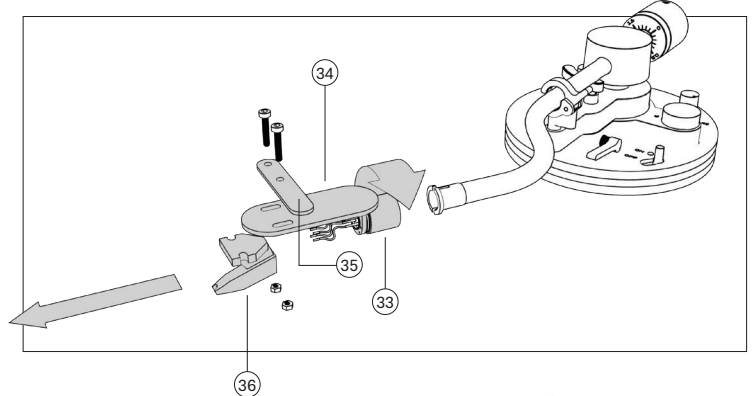
Changing the Cartridge

Usually, the cartridge (36) comes pre-installed. Otherwise, install the cartridge into the aluminium headshell (34) using the two mounting screws located on the tonearm grip (35). All cartridges with standard half inch mounting holes can be fitted.

Connect the cartridge cables as indicated below:

- White: left channel L+
- Red: right channel R+
- Green: right channel R-
- Blue: left channel L-

Use the cartridge alignment tool to calibrate the new cartridge along an entire record (instructions below).



Changing the Stylus

The stylus is the front part of the cartridge. A damaged or worn stylus may harm your record collection and should be replaced. Please remove stylus protection before pulling the stylus from the cartridge and replace for a new one.

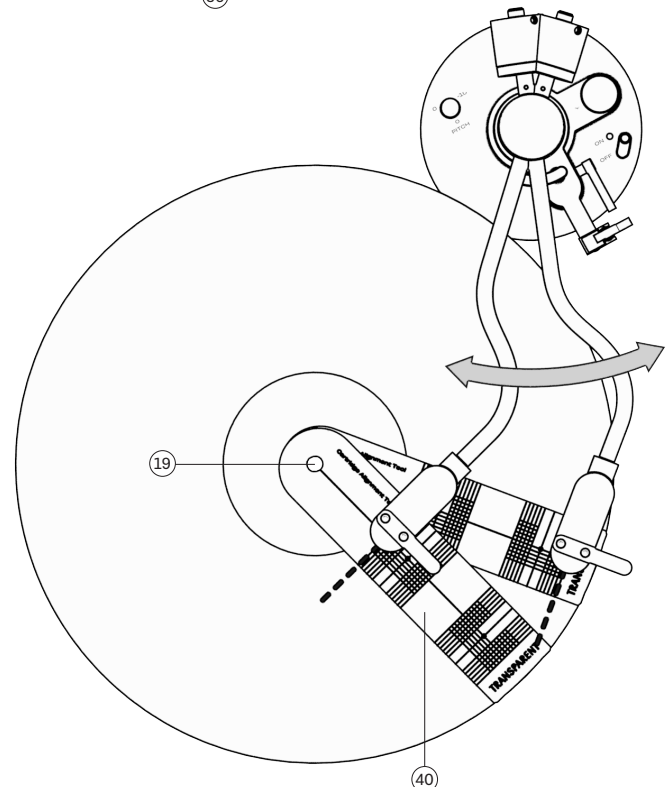
The replacement stylus type for the pre-mounted cartridge Ortofon OM5E is the "Stylus OM5E". If changing only the stylus on the Ortofon OM5E there is usually no need for re-alignment of the cartridge or re-adjustment of the tracking force.

Changing The Headshell

If you wish to use another headshell (34) simply unscrew the headshell mount (33) and then pull the headshell outwards to release it. Insert another SME connector compatible headshell, screw it in place with your fingers and use the cartridge alignment tool to calibrate it along an entire record (instructions below).

Cartridge Alignment

- First retrieve your cartridge alignment tool (40) from the bottom side of the E box.
- To make sure that the turntable cannot move during the alignment procedure, place small cardboard wedges (or similar) beneath the outer edge of the turntable platter.
- Put a record on the turntable.
- Unlatch the tonearm clip.
- Lift the tonearm lifting lever to the up position.
- Unscrew the cartridge screws a bit so it can be adjusted.
- Move the cartridge forward or backward in the headshell to place the stylus tip at the overhang point recommended for the headshell. If there is no recommended overhang, position the cartridge in the middle of the headshell.
- Balance the tone arm and temporarily apply a tracking force of 1 gram.
- Slip the hole of the alignment tool over the turntable spindle (19), and place the alignment tool on the record over the area where the stylus tracks.
- Inner (near the center of the record) alignment point: Lower the tone arm lever so that the stylus tip rests on the inner stylus tip marking on the tool. If the sides of the cartridge body are not parallel to the reference lines on the tool, raise the tone arm lever and adjust the cartridge body position by the two top screws, so that it is parallel to the reference lines on the protractor.
- Outer Alignment Point: Repeat this procedure for the outer stylus tip marking on the alignment tool.
- Repeat this procedure on both points until the cartridge body is parallel at both points, or as close to parallel as possible. If the cartridge can only be made parallel at one point, select the inner point (closer to the center of the record).
- When the adjustment procedure is completed, fully tighten the cartridge mounting screws.
- Finally reset the correct tracking force of your tonearm counterweight.



Maintenance

Your record player requires little or no regular maintenance. Remove dust gently with the included cloth (42) slightly moistened. Never use a dry cloth because this will create static electricity which attracts more dust.

Antistatic cleaning fluids are available at specialist stores but must be applied sparingly to avoid damage to rubber parts. It is recommended to fit the cartridge cover (37) before cleaning or maintenance is carried out to avoid damage.

If the player is not used over a long period of time the rubber belt (45) can be removed to prevent unequal stretching.

It is recommended to change rubber belt every 1-2 years to maintain a consistent playback. Boiling the old rubber belt in hot water can regain its strength as it will shrink a bit.

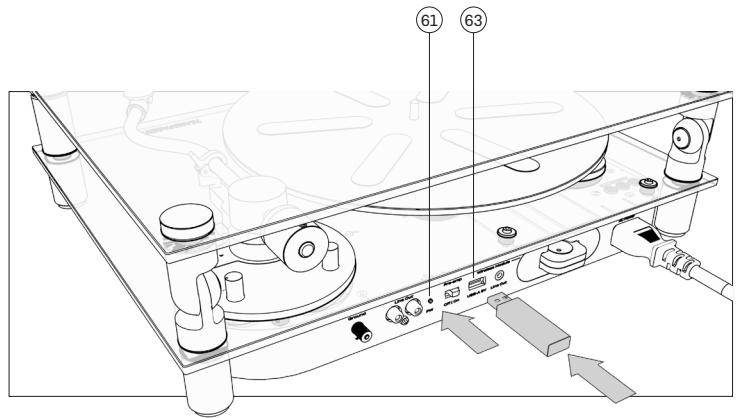
FW Version / FW Upgrade

The firmware (FW) of your TT electronics can be updated over time.

You can check your FW version by clicking the FW button (61) on the back. The LED on the tonearm base will then signal with a number of blinks to indicate the FW version. Version 01 is one blink, V02 is two blinks and so on.

If you have been in contact with the Transparent support team and received a new FW file, and you have it on a USB-A stick:

- Power on your turntable and insert the USB stick in the USB-A socket (63) in the back.
- Press and hold the FW button. Release the button when the LED starts blinking (after around 5 seconds). Now the new FW version will upload to the turntable.
- Important: do NOT power off your turntable during the FW upgrade as it might damage the internal memory.
- After the LED has stopped blinking you can eject your USB stick and if you want check the new FW version with a click.



HW Upgrade

Transparent™ lives by a circular design philosophy. A big part of that is about trying to prepare our products for any future scenario, so the main product does not become obsolete, but that it can be upgraded and improved over time as technology evolves.

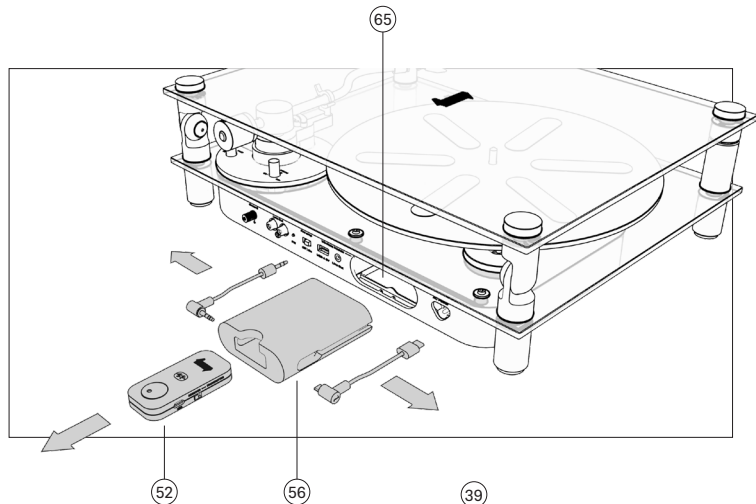
Apart from the cartridge and headshell that has been already described, it is quite likely that a new wireless module would be needed some years after the first generation TT was shipped.

The wireless module compartment (65) has a silicon holder (56) that holds the Bluetooth module (52).

If you wish to upgrade to a new wireless module, it is likely that Transparent offers upgrades, visit our website at <https://transpa.rent> and look for upgrades.

If you obtain an upgrade from Transparent it is likely it comes with a new silicon holder and perhaps new cables. In this case you simply eject the whole silicon holder and insert the new one, make sure the cables plug in properly during this operation.

There might also be 3rd party wireless transmitters that can be powered by USB 5V and has a line in socket. Feel free to try this and use for example a double sided pad to fix the 3rd party module in the compartment, if it fits.



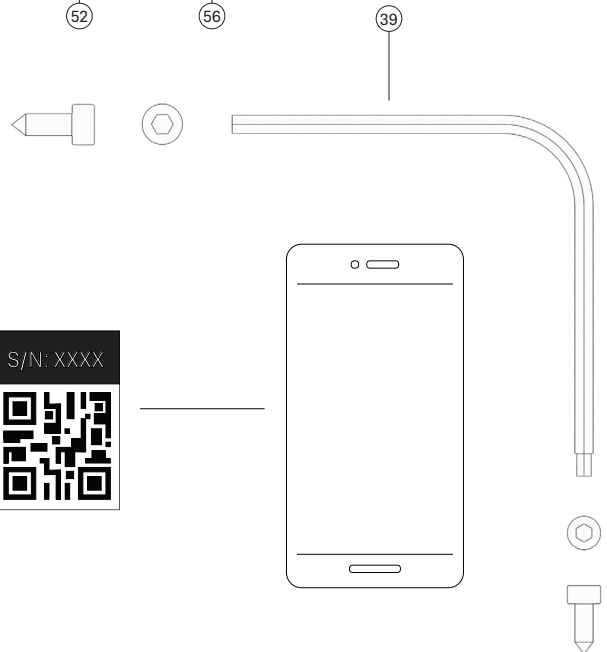
Disassembly

Your Transparent Turntable has a completely modular design. If any part would need service or an upgrade, this should be doable by using the assembly tool (39) attached to the bottom side of the E box. All screws in the TT are operable by either end of this tool.

Before commencing any disassembly work make sure to unplug the power cable and music cables. As described in the dust cover section, the hinges and pillars are dismantled by hand. After this you can release the rest of the components by using the assembly tool.

Important note: We do not recommend opening of the e box unless you have professional experience, or by guidance by the Transparent support team. You might risk damaging sensitive components or if the power cable is still plugged in there is risk for electrical shock!

All disassembly activities are carried out at your own risk and will void any warranty.



Recycling

If needed, the Transparent Turntable can be completely dismantled into individual materials (except for the circuit boards, that at the time of writing still need to be soldered together).

If you end up in a situation where you need to discard outdated or broken parts, make sure to sort and recycle them in their respective waste stream in your local area. If in doubt, get in touch with our support team on support@transpa.rent

Warranty

Transparent offers a 2 year warranty as a standard. Please consult your local dealer or <https://transpa.rent> for further assistance.

Scan for Traceability

Do scan your QR code sticker. Your Transparent Turntable has a unique serial number that will lead you to several product specific discoveries online. You might find an interactive CO2 impact tool to further dive into the traceability of your TT. You might find product and generation specific advice about upgrades and service.

Service and Support

Get in touch with us over email on support@transpa.rent with any questions you might have.

Contact

Transparent Sound AB
Döbelnsgatan 47
113 52 Stockholm
Sweden

<https://transpa.rent>

Technical Specifications

General

Nominal speeds: 33 1/3 and 45 RPM
Speed variance: 33: ±0.70% 45: ±0.60%
Wow and flutter: 33: ±0.25% 45: ±0.25%
Signal to noise: ≥ 70dB at 1kHz, 0dB A-weighted
Tracking force : 1.75gram
Effective tonearm mass: 13.5g
Effective tonearm length: 220mm
Overhang: 19.5mm
Max power consumption: 15W
Dimensions (W x H x D): 410 x 125 x 320 mm
Weight: 6,5kg
Dimensions packaging (W x H x D): 580 x 240 x 460mm
Weight incl. packaging: 7,0kg
Rated input voltage: 100-240Vac, @ 50/60Hz.

MM phono pre-amplifier

Gain: 34dB +/- 2dB
Output voltage: > 220 mV/1kHz at 5mV/1kHz input
Input impedance: 47kOhms/100pF
RIAA-equalisation curve accuracy: 20Hz-15kHz / max. 2db.

Bluetooth 5 Module (Pre-installed in TT Gen 1)

Bluetooth version: 5.0
Normal or True Wireless (stereo) pairing
3.5 mm port for digital optical and analogue signals
µUSB port for 5V power
Dual mode: Switch between Transmitter (TX) and Receiver (RX) - Default in TT should be TX
Chip: Qualcomm CSR8670C
Codec: aptX LL / SBC / MP3 / AAC
Latency: Extremely low <40ms
Gold-plated contacts for perfect signal transmission
Multiple set-up options and flexible use
Multi-Configurable I2S, SPDIF Interface
Built in 16-bit Stereo Codec- 95dB SNR for DAC
D/A conversion 16 Bit / 96 kHz
A/D conversion 16 Bit / 48 kHz
Temperature range: 5 to +50 °C
Permissible relative humidity: 5 - 90%
Voltage supply: 5V
Dimensions: 33 x 62 x 12 (w x h x d in mm)
Weight: 0.02 kg

MM-Cartridge Ortofon OM 5E

Frequency range: 20-25.000Hz +3 / -3
Output voltage at 1000 Hz, 5cm/s: 4 mV
Channel balance at 1 kHz: 2 dB
Channel separation at 1 kHz: 22 dB
Channel separation at 15 kHz: 15 dB
Tracking ability at 315Hz at recommended tracking force (typical value): 60 µm
Compliance, dynamic, lateral: 20 µm/mN
Stylus type: Elliptical
Stylus tip radius: r/R 8/18 µm
Tracking force range: 1.5-2.0 g (15-20 mN)
Tracking force, recommended: 1.75 g (17.5 mN)
Tracking angle: 20°
Internal impedance, DC resistance: 750 Ohm
Internal inductance: 450 mH
Recommended load resistance: 47 kOhm
Recommended load capacitance: 200-500 pF
Cartridge colour, body/stylus: Black/Black
Cartridge weight incl. extra weight: 5 g
Cartridge weight excl. extra weight: 2.5 g
Replacement stylus unit: Stylus 5E
OM 5E features an elliptical stylus that provides balanced and distortion-free playback. Elliptical diamonds are able to follow the groove oscillations more accurately than spherical diamonds due to their contoured shape. This results in better tracking and less distortion.

Materials

Glass: Tempered Optiwhite
Aluminium: AL6061 - Estimated 50% recycled content
Plastics: ABS V0+UV - 100% recycled content
Papers and Cardboards: 100% FSC Certified
Product Bags: Spunlace
Packaging Buffer: EPE

Important Safety Instructions

1. Read these instructions – All the safety and operating instructions should be read before this product is operated.
2. Keep these instructions–The safety and operating instructions should be retained for future reference.
3. Heed all warnings–All warnings on the appliance and in the operating instructions should be adhered to.
4. Follow all instructions – All operating and use instructions should be followed.
5. Do not use this apparatus near water – The appliance should not be used near water or moisture – for example, in a wet basement or near a swimming pool, and the like.
6. Clean only with dry cloth.
7. Do not block any ventilation openings. Install in accordance with the manufacturer's instructions.
8. Do not install near any heat sources such as radiations, heat registers, stoves, or other apparatus (including amplifiers) that produce heat.
9. Do not defeat the safety purpose of the polarized or grounding plug. A polarized plug has two blades with one wider than the other. A grounding plug has two blades and a third grounding prong. The wide blade or the third prong is provided for your safety. If the provided plug does not fit into your outlet, consult an electrician for replacement of the obsolete outlet.
10. Protect the power cord from being walked on or pinched particularly at the plugs, convenience receptacles, and at the point where they exit from the apparatus.
11. Only use attachments/accessories specified by the manufacturer.
12. Use only with the cart, stand, tripod, bracket, or table specified by the manufacturer, or sold with the apparatus. When a cart or rack is used, use caution when moving the cart/apparatus combination to avoid injury from tip-over.
13. Unplug the apparatus during lightning storms or when unused for long periods of time.
14. Refer all servicing to qualified personnel. Servicing is required when the apparatus has been damaged in any way, such as power supply cord or plug is damaged, liquid has been spilled or objects have fallen into the apparatus has been exposed to rain or moisture, does not operate normally, or has been dropped.
15. -This lightning flash with arrowhead symbol within an equilateral triangle is intended to alert the user to the presence of non-insulated "dangerous voltage" within the product's enclosure that may be of sufficient magnitude to constitute a risk of electric shock.
-Warning: To reduce the risk of electric shock, do not remove cover (or back) as there are no user-serviceable parts inside. Refer servicing to qualified personnel.
-The exclamation point within an equilateral triangle is intended to alert the user to the presence of important operating and maintenance instructions in the literature accompanying the appliance.
16. The mains plug is used as the disconnect device. The socket-outlet shall be installed near the equipment and shall be easily accessible.
17. **WARNING**
To reduce the risk of fire or electric shock, do not expose this apparatus to rain or moisture. The apparatus shall not be exposed to dripping or splashing and that no objects filled with liquids,

18. such as vases, shall not be placed on apparatus.
19. The use of the equipment in moderate climate.
20. The ventilation should not be impeded by covering the ventilation openings with items such as, newspapers, tablecloths, curtains, etc.
21. No naked flame sources, such as lighted candles, should be placed on the apparatus.
22. The symbol with - Indicates AC voltage.
23. CAUTION: These servicing instructions are for use by qualified service personnel only. To reduce the risk of electric shock, do not perform any servicing other than that contained in the operating instructions unless you are qualified to do so. Changes or modifications not approved by Transparent Sound AB could void the user's authority to operate the equipment.

Symbols

Caution: To prevent the risk of electric shock, do not remove cover (or back). No user-serviceable parts inside. Refer servicing to qualified service personnel.



This appliance may not be treated as regular household waste. Management of WEEE (waste electrical and electronic equipment) is applicable in the Member States of the European Union and other European countries with individual national policies on the management of WEEE. If you need more information on the collection, reuse and recycling systems, please contact your local or regional waste administration.



The product complies with the following European Directives:
• Ecodesign requirements for Energy-related Products Directive (EC) 278/2009
• Radio Equipment Directive (RED) 2014/53/EU
• The Low Voltage Directive (LVD) 2014/35/EU



• Safety Standard for ITE and AV Equipment. Conforms to UL62368-1 for North America and certified to Canada IEC62368-1.

The product complies with RoHS (Restriction of Hazardous Substances Directive) 2011/65/EU & 2015/863/EU (RoHS 3)

RoHS

Radio Frequency Interference Requirements - FCC

This device complies with Part 15 of the FCC Rules.

Operation is subject to the following two conditions:

(1) This device may not cause harmful interference, and

(2) This device must accept any interference received, including interference that may cause undesired operation.

NOTE This product has been tested and found to comply with the limits for a Class B digital device, pursuant to Part 15 of the FCC Rules. These limits are designed to provide reasonable protection against harmful interference in a residential installation. This product generates, uses, and can radiate radio frequency energy and, if not installed and used in accordance with the instructions, may cause harmful interference to radio communications. However, there is no guarantee that interference will not occur in a particular installation. If this product does cause harmful interference to radio or television reception, which can be determined by turning the equipment off and on, the user is encouraged to try to correct the interference by one or more of the following measures:

—Reorient or relocate the receiving antenna.

—Increase the separation between the equipment and receiver.

—Connect the equipment into an outlet on a circuit different from that to which the receiver is connected.

—Consult the dealer or an experienced radio/TV technician for help.

Please pay attention that changes or modification not expressly approved by the party responsible for compliance could void the user's authority to operate the equipment.

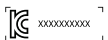


Under Industry Canada regulations, this radio transmitter may only operate using an antenna of a type and maximum (or lesser) gain approved for the transmitter by Industry Canada. To reduce potential radio interference to other users, the antenna type and its gain should be so chosen that the equivalent isotropically radiated power (e.i.r.p.) is not more than that necessary for successful communication.

The product complies with safety and EMC (Electro Magnetic Compatibility) approval for electrical products sold on the Japanese market. The applicable law is the DENAN Act (Electrical Appliance and Material Safety Act) of Japan.



Korea Communication Commission: signifies compliance with Korea's product safety requirements for electrical and electronic equipment and is issued by Korea-based certification body that have been approved by the Korea Standards Association.



UK Conformity Assessed (UKCA) marking is a conformity mark that indicates conformity with the applicable requirements for products sold within Great Britain (England, Scotland and Wales).



The UKNI marking is a conformity marking for products placed on the market in Northern Ireland which have undergone mandatory third-party conformity assessment by a notified body.



IEC 60417 : To identify electrical equipment designed primarily for indoor use.



This product complies with:

ETLus: UL62368-1
FCC SDOC: FCC PART15B
IC: ICES-003
CE-LVD: EN62368-1
CE-EMC: EN55032 + EN55035 + IEC EN61000-3-2 + IEC EN61000-3-3
UKCA: BS EN62368-1+BS EN55032/35 +BS EN61000-3-2/3
PSE: J62368

Transparent Turntable är en högkvalitativ vinylskivspelare. Plinten och locket är av hårdat glas, med de flesta konstruktionsdelar tillverkade av aluminium. Dessa robusta material erbjuder en styv struktur för att säkerställa en tillförlitlig uppspelning över tid.

Det remdrivna motorsystemet är en pålitlig metod för att säkerställa en stabil uppspelning under en lång tidsperiod, och det finns precisionsreglage för att finjustera uppspelningen.

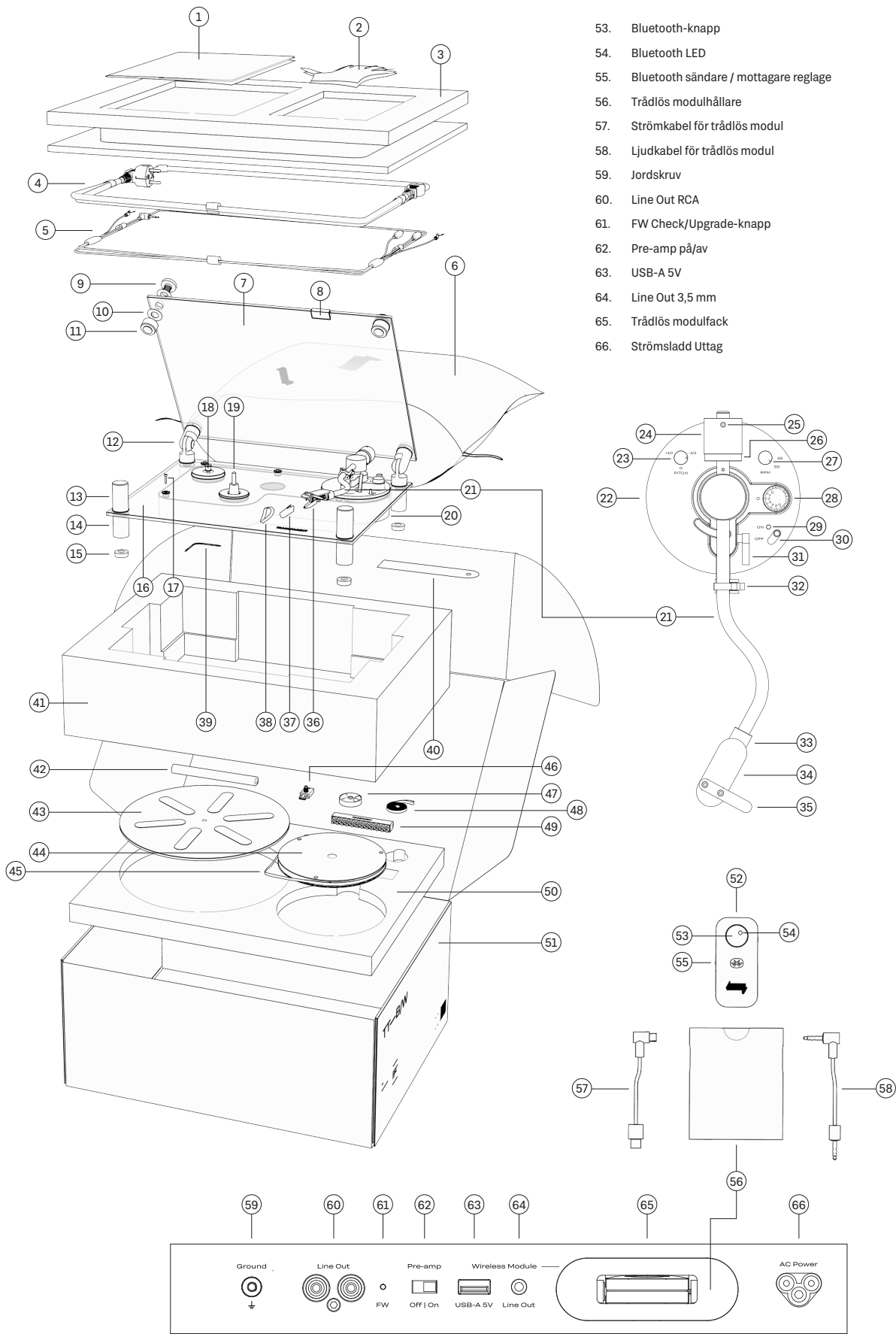
Vi har utvecklat vår egen tonearm med ett anpassat headshell som kan hålla vilken pickup som helst med standard monteringshål, men även headshelldelen använder sig av en standard SME-kontakt för att möjliggöra modularitet.

Transparent Turntable har en inbyggd förstärkare. Det betyder att den kan spela direkt till alla moderna (aktiva) högtalare utan att behöva separat utrustning. Om du vill använda externa förstärkare finns naturligtvis en "pre-amp on/off"-brytare också. TT kommer med musikkabel, men för att säkerställa en tidlös funktionalitet hos skivspelaren har vi tagit fram ett fack för trådlösa moduler också. Första generationens TT kommer med vår förinstallerade Bluetooth™-modul så att du kan njuta av dina vinylskivor i trådlös uppspelning om du vill. I framtida hem är din TT redo att anpassas och uppgraderas till framtida trådlösa tekniker.

Den helt modulära designen, högkvalitativa konstruktionen och uppgraderingsbara karaktären hos dessa produkter är en del av Transparens cirkulära designfilosofi. Det handlar inte bara om var alla råvaror kommer ifrån, utan också om en plan för att få produkten att hålla sig relevant under lång tid framöver.

Delar

1. Användarmanual
2. Handskar
3. Toppbuffert
4. Strömkabel
5. Musikkabel (RCA)
6. Produktpåse
7. Lock
8. Fingergrepp
9. Pelarskruv x4
10. Brickor x16
11. Toppelare x2
12. Gångjärnspelare x2
13. Främre pelare x2
14. Bottenpelare
15. Gummifötter x4
16. Plint
17. Skruvar
18. Motorskaft
19. Spindle
20. E Box
21. Tonarm
22. Tonarmsplatta
23. Precisionshastighet / Pitch-vred
24. Tonarmsmotvikt
25. Motviktsskruv
26. Motviktsskiva
27. Inställningsratt för hastighet RPM
28. Anti-skate vred
29. LED
30. På / Av knapp
31. Tonarmslyftspak
32. Tonarmsklämma
33. Headshell-krage
34. Headshell
35. Tonarmsgrepp
36. Pickup
37. Pickup-skydd
38. Gummiband
39. Monteringsverktyg (insexnyckel)
40. Pickup-linjeringssverktyg
41. Mellanbuffert
42. Trasa
43. Platta
44. Underplatta
45. Gummibälte
46. USB-jordadapter
47. 45 RPM Adapter
48. Extra gummibälte
49. Skivborste
50. Bottenbuffert
51. Förpackning
52. Bluetooth-modul

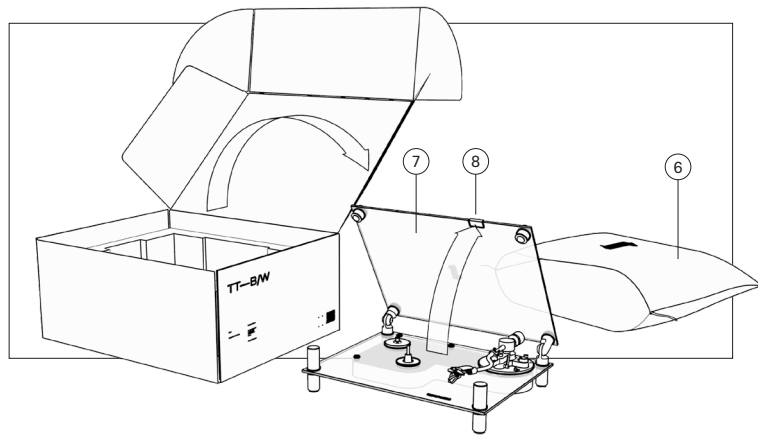


53. Bluetooth-knapp
54. Bluetooth LED
55. Bluetooth sändare / mottagare reglage
56. Trådlös modulhållare
57. Strömkabel för trådlös modul
58. Ljudkabel för trådlös modul
59. Jordskruv
60. Line Out RCA
61. FW Check/Upgrade-knapp
62. Pre-amp på/av
63. USB-A 5V
64. Line Out 3,5 mm
65. Trådlös modulfack
66. Strömssladd Uttag

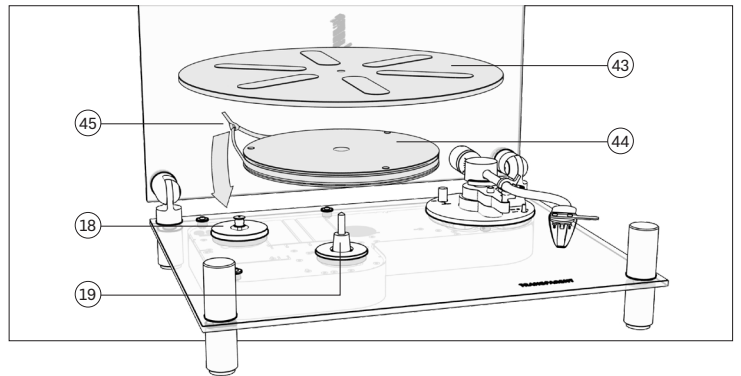
Användarmanual

Installationsguide

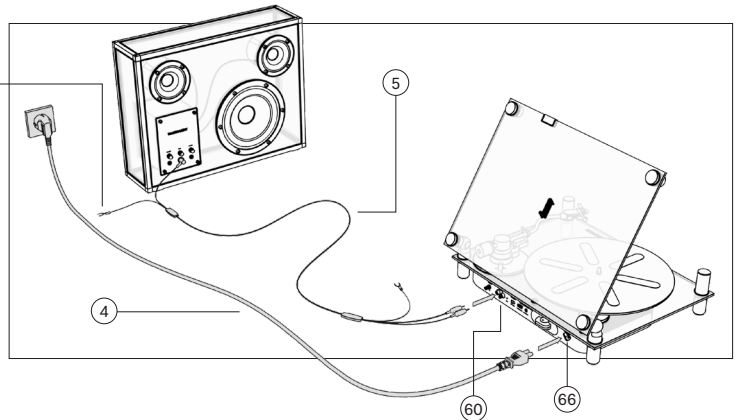
- Packa upp skivspelaren nära högtalaren du ska använda den med. Se till att du har tillräckligt med plan yta för att placera din skivspelare och ett eluttag i närheten.
- Öppna lådan.
- Sätt på handskarna (2). Ta ut hela den övre bufferten (3) och lägg undan den tills vidare.
- Lyft upp din skivspelare från förpackningen.
- Öppna produktpåsen (6) och dra försiktigt öppningen över de främre benen och sedan bakåt för att visa hela skivspelaren.
- Öppna locket (7) med fingregreppet (8).



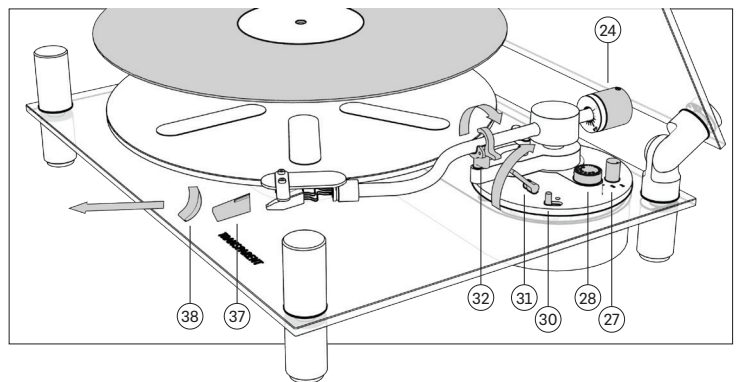
- Ta ut underplattan (44) ur förpackningen.
- Placera underplattan på spindeln (19) med de tre gummiprickarna vända uppåt.
- Ta tag i pappersflaggan som håller gummiremman (45) på underplattans sida och dra den över motorskaftet (18), ta sedan bort pappersflaggan.
- Placera plattan (43) ovanpå med de sex gummiränderna vända uppåt.



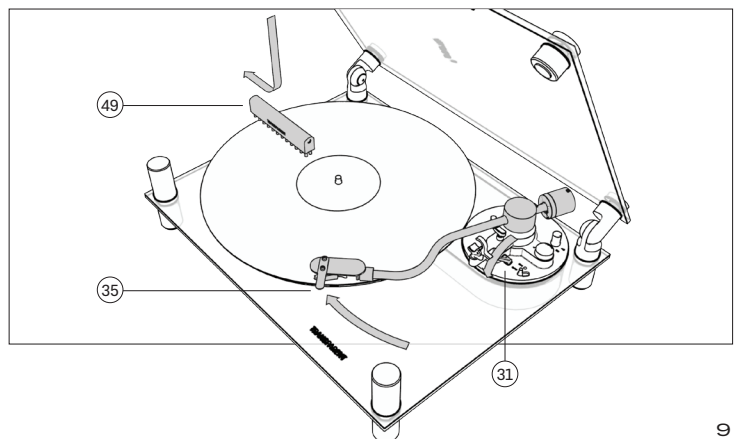
- Anslut strömkabeln (4) först till uttaget (66) på baksidan av skivspelaren. Anslut den andra sidan till ett vägguttag.
- Anslut 3,5mm pluggen på musik kabeln (5) till "Line in" på din högtalare eller förstärkare och anslut RCA-sidan av kabeln till RCA line out-uttaget (60) på baksidan av skivspelaren. Se till att du ansluter den vita pluggen till den vita kontakten och den röda pluggen till den röda kontakten.
- För instruktioner om den Y-formade jord-gaffeln på ljudkabeln (behövs för Small Transparent Speaker) se sidan 10.
- Se sidan 10 för uppspelning till två högtalare.
- Se sidan 10 för uppspelning över Bluetooth.
- Se till att din högtalare är påslagen och har en volym på minst 50 %.
- Se till att pre-amp switchen (62) på baksidan av skivspelaren är i läget "på". För användning med externa förstärkare ställ pre-amp switchen till avstängt läge.
- Placera nu skivspelaren på den plats du vill att den ska vara. Vi rekommenderar att du använder handskarna och alltid har locket stängt när du lyfter och flyttar skivspelaren.
- Om ytan under din skivspelare är ojämn, har du möjlighet att justera nivån på gummifötterna (15) med hjälp av en vanlig platt skruvmejsel.



- Tonarmsmotvikten (24) kommer förkalibrerad, så det du behöver inte ställa in vikten. Se sidan 11 för instruktioner för kalibrering av motvikten.
- Ta bort gummibandet (38) som håller pickup-skyddet (37) på plats under transporten. Ta också bort pickup-skyddet.
- Lägg din bästa vinylskiva på plattan.
- Flytta på/av-knappen (30) till på-läget.
- Dubbelkolla att inställningsratten för hastighet RPM (27) är i 33 RPM position (detta är den vanligaste hastigheten för vinylskivor). För att spela singlar vid 45 RPM, se sidan 10.
- Dubbelkolla att anti-skating-ratten (28) är i position 2. Se sidan 11 för anti-skating-inställningar.
- Lossa tonarmsklämman (32).
- Lyft tonarmen genom att lyfta tonarmens lyftspak (31).



- Flytta tonarmen genom att nypa itag i tonarmsgreppet (35) och placera nålen ovanför kanten i början av skivan. Nu ska skivan ha börjat snurra.
- Om det finns damm eller partiklar på din skiva, passa på att rengöra skivan med skivborsten (49). Medan skivan snurrar och tonarmen är i upp-läge, sänk ner borsten på skivans vänstra sida så att den rensar alla spår på skivan samtidigt, det finns ingen anledning att flytta borsten fram och tillbaka, bara låt den fånga skräpet när skivan snurrar och dra den sedan ut från skivan.
- Sänk tonarmen genom att sänka tonarmsspaken (31).
- Du bör nu höra musik. Finjustera vid behov hastigheten med pitch-ratten (23).
- Justera volymen på din högtalare och njut av stunden.
-



- När skivan är slut kommer motorn att stanna. När du är klar med att spela, lyft först upp tonarmsspaken. Ta tag i tonarmsgreppet och flytta tillbaka tonarmen över sitt viloläge. Sänk tonarmslyftspaken. Spärra tonarmsklämman. Stäng dammskyddet med fingregreppet.

Lock / Dammskydd

När du öppnar och stänger locket, använd alltid fingergreppet (8) för att undvika fingeravtryck på glasets. När du spelar en skiva eller när den inte används ska locket vara nere för att skydda mot damm. Om du tycker att gångjärnsmotståndet är för starkt eller med tiden kanske för löst, använd monteringsverktyget (39) som är fäst under av E-boxen och dra åt gångjärnsskruvarna för att hitta önskad gångjärnsmotstånd. Kom ihåg att ta bort båda plattorna och att använda handskar om du vänder din skivspelare upp och ner.

Om du av någon anledning föredrar att använda din skivspelare utan dammskyddet kan du ta isär den med bara fingrarna:

- Skruva loss de fyra pelarskruvarna (9) på toppen, ta bort locket och de två översta pelarna (11).
- Skruva loss de två främre stolparna (13) och de två gångjärnsstolparna (12) och lägg undan dem.
- Fäst de fyra stolpskruvarna, denna gång genom plinten och ner i bottenpelarna (14). Se till att de har en bricka (10) vardera för att skydda glasets.

Om du upptäcker att dina främre och övre pelare inte linjerar perfekt:

- Skruva loss de två övre stolparnas skruvar och placera om de övre pelarna så att de är i linje med de två främre pelarna, dra sedan åt dem igen. Om det behövs, upprepa denna procedur på de främre pelarna.

Hastighetsinställningar

De flesta skivor använder hastigheten 33 1/4 RPM så detta är standardinställningen. Vissa skivor, ofta mindre skivor eller singlar, använder 45 varv/min. Dessa skivor har ofta ett större hål för spindeln, för detta bör du använda den medföljande 45 RPM-adaptorn (47) när du placerar din skiva, och du bör ändra inställningsratten för hastighet RPM (27) till 45. Om du känner att din uppspelningshastighet behöver finjusteras ytterligare kan du använda precisionshastighets- / pitch-ratten (23).

Spela till Small Transparent Speaker över kabel / Att undvika jordnings-brus

Skivspelares pickuper är känsliga och de kan fånga upp olika typer av oönskat ljud i olika situationer. Det kan bero på jordning eller skärmning i de interna elektroniska komponenterna på olika högtalare. Line In-uttaget på Small Transparent Speakers undersida resulterar ibland i oönskat brus när man spelar från en skivspelare, och vi har utvecklat en metod för att hantera detta.

RCA-kabeln (5) har en liten liten "Y-formad" jord-gaffeln i båda ändar. Denna gaffel är avsedd att fästas på en jordskruv (59) på båda sidor. Sätt först in RCA-kabeln till skivspelarens RCA line out (60) och vänd STS på sidan för att exponera kontaktarna uppåt och sätt in 3,5mm pluggen till STS Line in.

På skivspelaren sitter jordskruven på vänster sida av RCA kontaktarna. Använd fingrarna och skruva fast gaffeln på jordskruven. På högtalarsidan, sätt in USB-jordadaptorn (46) i USB-uttaget och skruva fast gaffeln på jordskruven.

Nu kan du följa de vanliga stegen för att börja spela en skiva.

OBS! Om du spelar till Line In-uttaget framtill på STS eller om du spelar till en stor Transparent Speaker bör det inte finnas något behov av att använda jord-gaffeln eller USB-jord-adaptorn.

Spela till två högtalare över kabel

Alla Transparent™ högtalare kommer med en ljudkabel. Denna kan användas från 3,5 mm line out-uttaget (64) på skivspelaren till 3,5 mm Line In-uttaget på baksidan, undersidan eller framsidan av din högtalare (beroende på modell).

Den andra högtalaren kan sedan anslutas med RCA-kabeln för samtidig uppspelning. Om en av högtalarna är en STS, se instruktionerna för hur du använder USB-jord-adaptorn (46) ovan. Om du spelar till två små STS rekommenderar vi att du använder RCA-kabeln (5) med jordkabel till den undre line-in kontakten, och den medföljande STS-musikkabeln till den främre kontakten på din andra högtalare.

För att ställa in vänster/höger kanal på dina Transparent högtalare, se deras respektive användarmanualer.

OBS! Om du vill spela till ett par traditionella högtalare rekommenderar vi att du använder RCA-kabeln från skivspelarens RCA line out (60) till line in på din befintliga förstärkare som redan har dina (passiva) högtalare anslutna. Överväg att stänga av pre-amp switchen (62) på baksidan av din TT i detta scenario.

Spela till en högtalare över Bluetooth

Transparent Turntable bör vara kompatibel med de flesta Bluetooth-högtalare och hörlurar på marknaden, men vi kan inte garantera kompatibilitet med alla protokoll från alla tider. Instruktionerna nedan kommer att fokusera på parning med transparenta högtalare. OBS! Din smartphone behövs inte för att para ihop en högtalare med skivspelaren.

- Se till att både din skivspelare och högtalare är påslagna.
- Tryck på bluetooth-knappen på din Transparent högtalare (eller annan bluetooth-högtalare).
- Tryck på bluetooth-knappen (53) på din TT. Lagg märke till hur Bluetooth-lampan (54) börjar blinka snabbare under parningsläget och långsammare igen när anslutningen har upprättats. Du bör också höra en ljud effekt i högtalaren som bekräftar anslutningen.

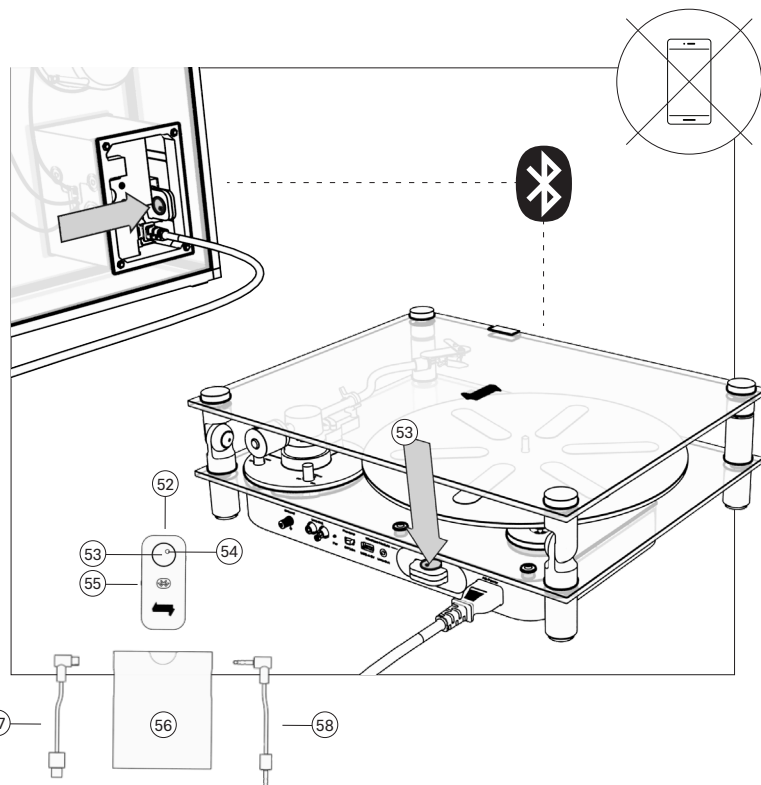
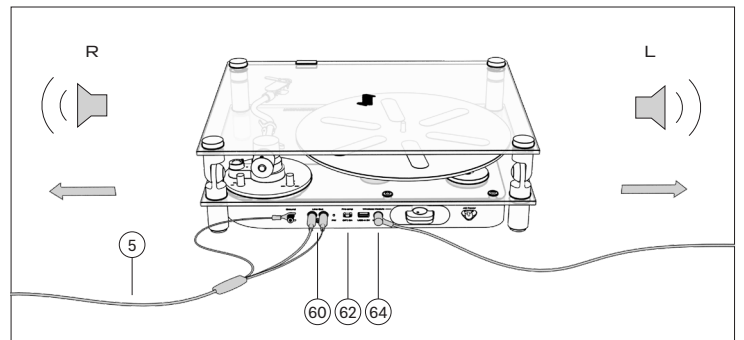
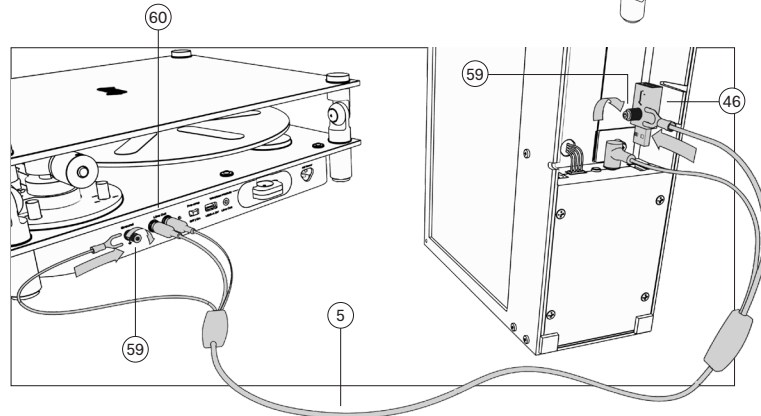
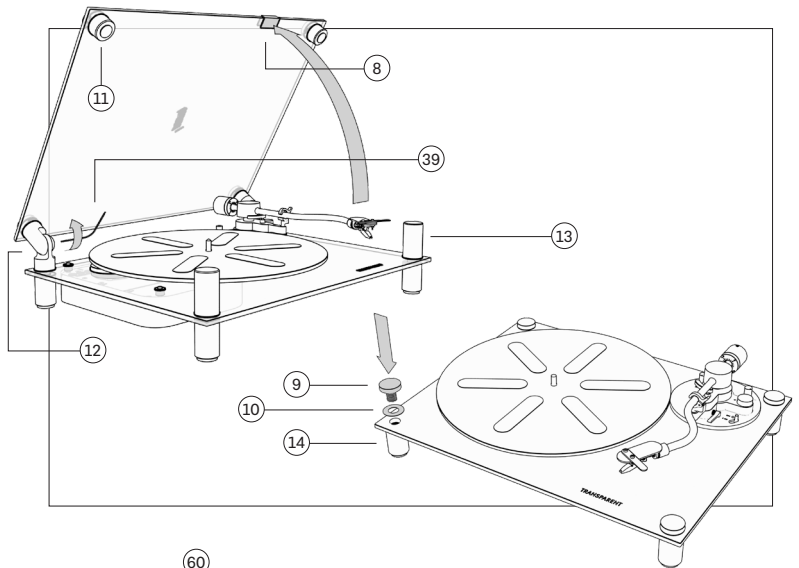
Felsökning:

- Se till att högtalaren och skivspelaren är tillräckligt nära varandra. I vissa förhållanden inte mer än några meter från varandra.
- Välj "glöm enhet" av dina Transparent-högtalare i bluetooth-inställningarna i alla tidigare ihopparade smartphones, surfplattor, datorer, TV-apparater etc. Detta för att undvika att högtalarna kopplas upp till andra enheter än skivspelaren under ihopparningen.
- Fabriksåterställning genom att trycka länge på bluetooth-knappen på din högtalare och skivspelare (vanligtvis +6 eller +10 sekunder) tills bluetooth-lampan blinkar snabbt.
- Se till att Bluetooth-modulen på högtalarsidan är inställd på "Receiver" (ej applicerbart på STS) och att Bluetooth-modulen på skivspelarens sida är inställd på "Transmitter" (55).
- Se till att skivspelarens Bluetooth-modul faktiskt är på, den ska ha en långsamt blinkande röd lampan på knappen. Annars (efter att ha tagit bort alla skivor och båda plattorna och med handskar på) vänd skivspelaren försiktigt upp och ner och undersök facket för trådlösa moduler (65) så att båda kablarna (57, 58) inuti facket är tillräckligt anslutna till både skivspelare och Bluetooth modul.

Spela till två högtalare via Bluetooth

Transparent Turntable bör vara kompatibel med de flesta Bluetooth-högtalare och hörlurar på marknaden, men vi kan inte garantera kompatibilitet med True Wireless Pairing med alla protokoll från alla tider. Instruktionerna nedan kommer att fokusera på parning med Transparent högtalare.

- Om du har någon av högtalarna tidigare kopplad till smartphones, surfplattor, bärbara datorer,



TV-apparater etc, navigera till Bluetooth-menyn och välj "Glöm enhet". Gör sedan ett långt tryck på FW-återställning på högtalarens Bluetooth-knapp.

- Placera dina högtalare och skivspelare i samma rum, inte längre bort än 5 m från varandra, helst ännu närmare.
- Se till att både högtalarna och skivspelaren är påslagna.
- Tryck länge på Bluetooth-knappen på den första högtalaren och släpp under röd LED-lampa och hör kommandot "True Wireless Pairing Mode". Gör sedan samma sak på den andra högtalaren.
- Tips: Öppna dina Bluetooth-inställningar på en smartphone och vänta tills båda högtalarna visas i listan över nya Bluetooth-enheter (men välj dem inte på skärmen).
- Tryck nu på Bluetooth-knappen på skivspelaren (53).
- Nu ska anslutningen vara klar.
- Om du använder två STS eller Light Speakers, eller en kombination av dessa, bör de automatiskt gå in i "Vänster" respektive "Höger" kanalläge. Annars kan den justeras med ett långt tryck (se instruktionerna på högtalarens undersida). För den stora Transparent Speaker gör du detta val manuellt på bakpanelen med en switch.

Anti-skating

Den lilla "nålen" på pickupen (36), långt ut på tonarmen (21) fångar upp musik-vibrationerna från ett V-format spår på skivan. Den inre eller "vänstra" sidan av V:t innehåller all ljudvågsinformation från den vänstra kanalen i musikinspelningen, och vice versa på den yttre eller "högra" sidan av detta spår. Tonarmen vill naturligt dra sig närmare skivans mitt, men om den drar eller "skejtar" för hårt inåt kommer den att trycka för hårt på vänster spår, vilket i sin tur skapar distortioner av höger kanal i musiken. Om du hör detta hända kan du få pickupen att "skejta" mindre inåt genom att öka anti-skating-kraften på anti-skating-vredet (28). Och vice versa, om du hör distortioner av vänster kanal i musiken bör du minska anti-skating-kraften. Syftet är att låta nålen färdas i mitten av det V-formade spåret. Standardinställningen för anti-skate på din TT ska vara 2.

Inställning av tonarmens motvikt

Din TT bör anlända med en förkalibrerad tonarmsmotvikt (24), men följ stegen nedan om det behövs.

- Öppna dammskyddet och använd monteringsverktyget (39) för att lossa motviktsställskruven (25).
- Öppna tonarmsklämman (32) men håll tonarmslyftspaken (31) i dess nedre läge.
- Ta tag i motvikten med fingrarna, skruva ut den tills tonarmen lyfts upp från sitt viloläge.
- Vrid tonarmen inåt över skivan. Skruva nu försiktigt tillbaka motvikten tills du kan se en perfekt balanserad tonarm. Den behöver inte vara helt vågrät, men den ska vara stilla i luften utan att röra sig upp eller ner. Ge det lite tid och när du hittar en helt balanserad position, ta försiktigt tag i den roterbara motvikts-skivan (26) och vrid den till 0-läget. Du kan behöva hålla i själva motvikten med din andra hand så den inte roterar.
- Ta reda på rekommenderad "tracking force" för din pickup. Till exempel, för Ortofon OM5E är det 1,75g som finns att hitta på Ortofons webbplats eller användarmanual. Normalt är den runt 2g så om du är osäker rekommenderar vi denna inställning.
- Vrid nu hela motvikten (inklusive motvikts-skivan) till den rekommenderade tracking force:en för din pickup.
- Dra slutligen åt en av ställskruvorna för att fixera den nu kalibrerade motvikten.

Byte av pickup

Vanligtvis kommer pickupen (36) förinstallerad. Annars installerar du pickupen i headshell:et (34) med hjälp av de två monteringskruvorna på tonarmsgreppet (35). Alla pickuper med standard halvtums monteringshål kan monteras.

Anslut pickup-kablarna enligt nedan:

Vit: vänster kanal L+
Röd: höger kanal R+
Grön: höger kanal R-
Blå: vänster kanal L-

Använd pickup-linjeringssverktyget för att kalibrera den nya pickuper längs en hel skiva (instruktioner nedan).

Byta nål

Nålen är den främre delen av pickuper. En skadad eller slitna nål kan skada din skivsamling och bör bytas ut. Ta bort pickup-skyddet innan du drar ut nålen från pickuper och byt ut den mot en ny. Ersättningsnålen för den förmonterade pickuper Ortofon OM5E är "Stylus OM5E". Om du bara byter nålen på Ortofon OM5E behöver du vanligtvis inte justera om pickuper eller justera tracking force:en.

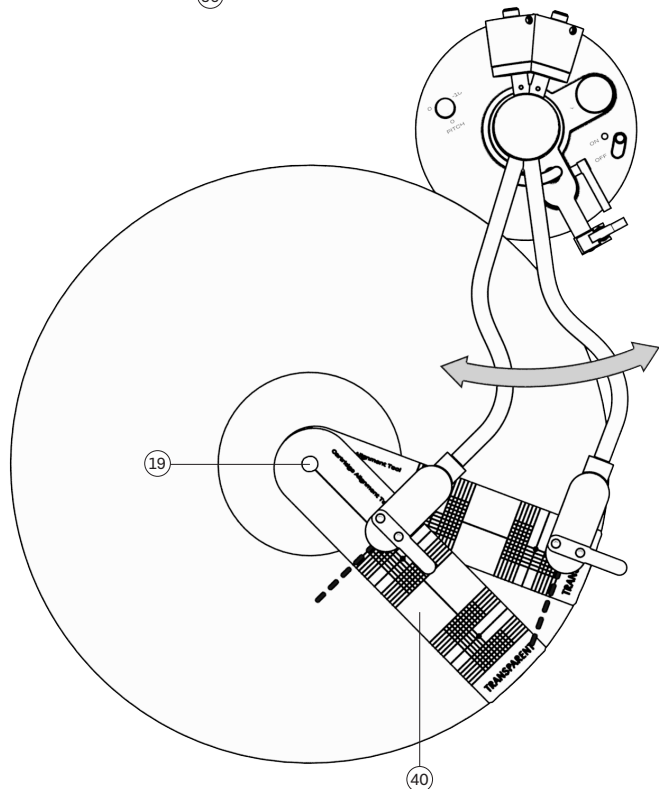
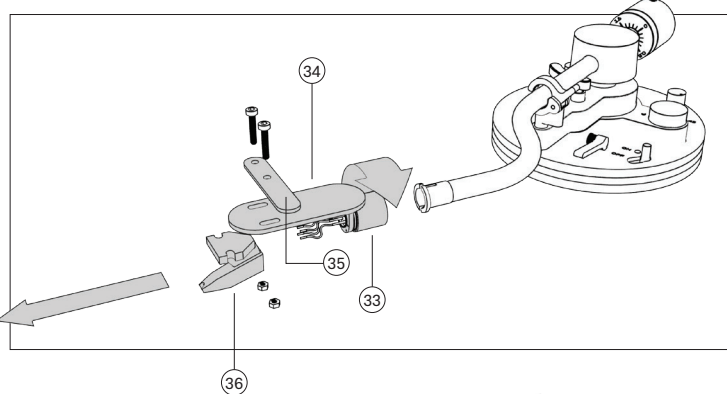
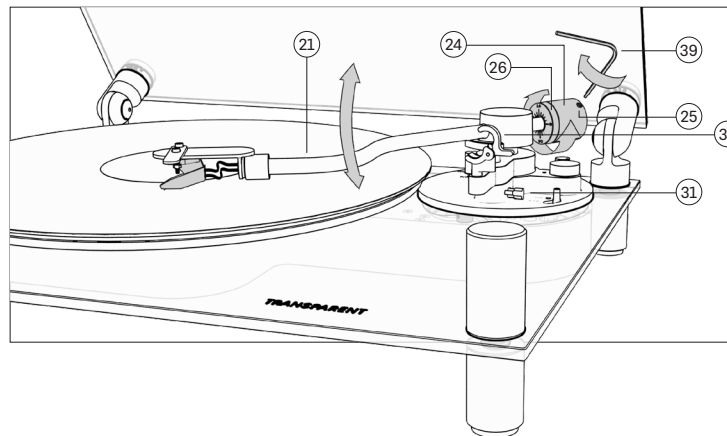
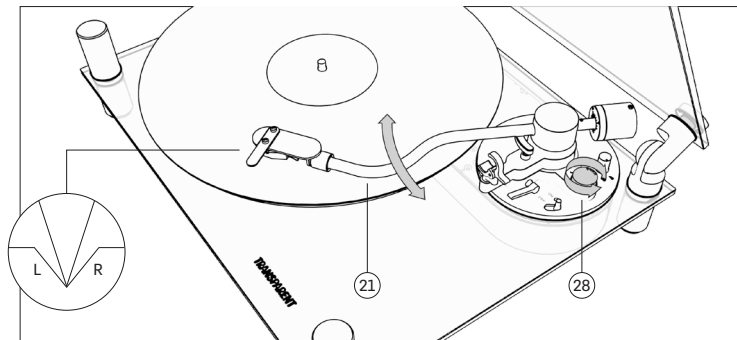
Byta Headshell

Om du vill använda ett annat headshell (34), skruva helt enkelt loss headshell-fästet (33) och dra sedan headshell:et utåt för att frigöra det.

Sätt i ett annat SME-kontakt kompatibel headshell, skruva fast det med fingrarna och använd pickup-linjeringssverktyget för att kalibrera det längs en hel skiva (instruktioner nedan).

Pickup linjering

- Hämta först ditt pickup-linjeringssverktyget (40) från undersidan av E-boksen.
- För att säkerställa att skivspelaren inte kan röra sig under inriktningsproceduren, placera små kartongkilar (eller liknande) under ytterkanten av skivtallriken.
- Lägg en skiva på skivspelaren.
- Lossa tonarmsklämman.
- Lyft upp tonarmslyftspaken till det övre läget.
- Skruva loss pickup-skruvorna en aning så att den kan justeras.
- Flytta pickuper framåt eller bakåt i headshell:et för att placera nålpetsen vid överhångspunkten som rekommenderas för pickuper. Om det inte finns något rekommenderat överhäng, placera pickuper i mitten av headshell:et.
- Balansera tonarmen och applicera tillfälligt en tracking force på 1 gram.
- Sätt linjeringssverktyget på spindeln (19) och placera linjeringssverktyget på skivan över området där nålen är.
- Inre (nära mitten av skivan) inriktningspunkt: Sänk tonarmsspaken så att nålens spets vilar på den inre spetsmarkeringen på verktyget. Om sidorna av pickuper inte är parallella med referenslinjerna på verktyget, höj tonarmsspaken och justera pickuperens position med de två övre skrivar, så att den är parallell med referenslinjerna på linjeringssverktyget.
- Yttre justeringspunkt: Upprepa denna procedur längst ut på skivan och linjeringssverktyget.
- Upprepa denna procedur på båda punkterna tills pickuper är parallell vid båda punkterna, eller så nära parallell som möjligt. Om pickuper bara kan göras parallell vid en punkt, välj den inre



punkten (närmare mitten av posten).

- När justeringsproceduren är klar, dra åt pickupens monteringskruvar helt.
- Återställ slutligen rätt tracking force på din tonarmsmotvikt.

Underhåll

Din skivspelare kräver lite eller inget regelbundet underhåll. Ta bort damm försiktigt med den medföljande trasan (42) lätt fuktad. Använd aldrig en torr trasa eftersom detta skapar statisk elektricitet som drar till sig mer damm.

Antistatiska rengöringsvätskor finns i fackhandeln men måste appliceras sparsamt för att undvika skador på gummidelar. Det rekommenderas att montera pickup-skyddet (37) innan rengöring eller underhåll utförs för att undvika skador.

Om spelaren inte används under en längre tid kan gummibältet (45) tas bort för att förhindra ojämn sträckning.

Det rekommenderas att byta gummibälte vart 1-2 år för att upprätthålla en konsekvent uppspelning. Att koka det gamla gummibandet i varmt vatten kan återfå sin styrka eftersom det kommer att krympa lite.

FW-version / FW-uppgradering

Mjukvaran (FW) för din TT-elektronik kan uppdateras med tiden.

Du kan kontrollera din FW-version genom att klicka på FW-knappen (61) på baksidan. Lysdioden på tonarmsplattan signalerar sedan med ett antal blinkningar för att indikera FW-versionen. Version 01 är en blinkning, V02 är två blinkningar och så vidare.

Om du har varit i kontakt med Transparents supportteam och fått en ny FW-fil, och du har den på ett USB-A-minne:

- Slå på din skivspelare och sätt i USB-minnet i USB-A-uttaget (63) på baksidan.
- Tryck och håll ner FW-knappen. Släpp knappen när lysdioden börjar blinka (efter cirka 5 sekunder). Nu kommer den nya FW-versionen att laddas upp till skivspelaren.
- Viktigt: Stäng INTE av din skivspelare under FW-uppgraderingen eftersom det kan skada internerminnet.
- Efter att lysdioden har slutat blinka kan du ta ut ditt USB-minne och om du vill kontrollera den nya FW-versionen med ett klick.

HW uppgradering

Transparent™ lever efter en cirkulär designfilosofi. En stor del av detta handlar om att försöka förbereda produkterna för alla framtida scenarion, så att produkten inte blir föråldrad, utan att den kan uppgraderas och förbättras med tiden i takt med att tekniken utvecklas.

Bortsett från pickupen och headshell:et som redan har beskrivits, är det ganska troligt att en ny trådlös modul skulle behövas några år efter att den första generationens TT levererades.

Det trådlösa modulfacket (65) har en silikonhållare (56) som håller Bluetooth-modulen (52).

Om du vill uppgradera till en ny trådlös modul är det troligt att Transparent erbjuder uppgraderingar, besök hemsidan på <https://transpa.rent> och leta efter uppgraderingar.

Om du skaffar en uppgradering från Transparent kommer den troligen med en ny silikonhållare och kanske nya kablar. I det här fallet matar du helt enkelt ut hela silikonhållaren och sätter i den nya, se till att kablarna ansluts ordentligt under denna operation.

Det kan också finnas trådlösa sändare från tredje part som kan drivas av USB 5V och som kanske får plats i facket. Prova gärna detta och använd till exempel en fäst-kudde för att fixera 3:e parts modulen i facket, om den passar.

Demontering

Din Transparent Turntable har en helt modulär design. Om någon del skulle behöva service eller en uppgradering bör detta kunna göras med hjälp av monteringsverktyget (39) som är fäst på undersidan av E-boxen.

Alla skruvar i TT kan justeras med hjälp av detta verktyg.

Innan du påbörjar något demonteringsarbete, se till att koppla ur strömkabeln och musikkablarna.

Som beskrivs i avsnittet om locket, demonteras gångjärnen och pelarna för hand. Efter detta kan du frigöra resten av komponenterna med hjälp av monteringsverktyget.

Viktig anmärkning: Vi rekommenderar inte att du öppnar e-boxen om du inte har yrkeserfarenhet eller genom vägledning av Transparents supportteam. Du kan riskera att skada känsliga komponenter eller om strömkabeln fortfarande är ansluten finns risk för elektriska stötar!

Alla demonteringsaktiviteter utförs på egen risk och upphäver all garanti.

Återvinning

Vid behov kan TT demonteras helt till individuella material (förutom kretskorten, vars komponenter i skrivande stund fortfarande behöver lödas fast).

Om du hamnar i en situation där du behöver kassera föråldrade eller trasiga delar, se till att sortera och återvinna dem i deras respektive avfallsström i ditt närområde. Om du är osäker, kontakta vårt supportteam på support@transpa.rent.

Garanti

Transparent erbjuder 2 års garanti som standard. Kontakta din lokala återförsäljare eller <https://transpa.rent> för ytterligare hjälp.

Skanna för spårbarhet

Skanna din QR-kod dekal. Din TT har ett unikt serienummer som leder dig till flera produktspecifika upptäckter online. Du kanske hittar ett interaktivt CO2-påverkansverktyg för att ytterligare dyka in i spårbarheten av din TT. Du kan hitta produkt- och generationsspecifika råd om uppgraderingar och service.

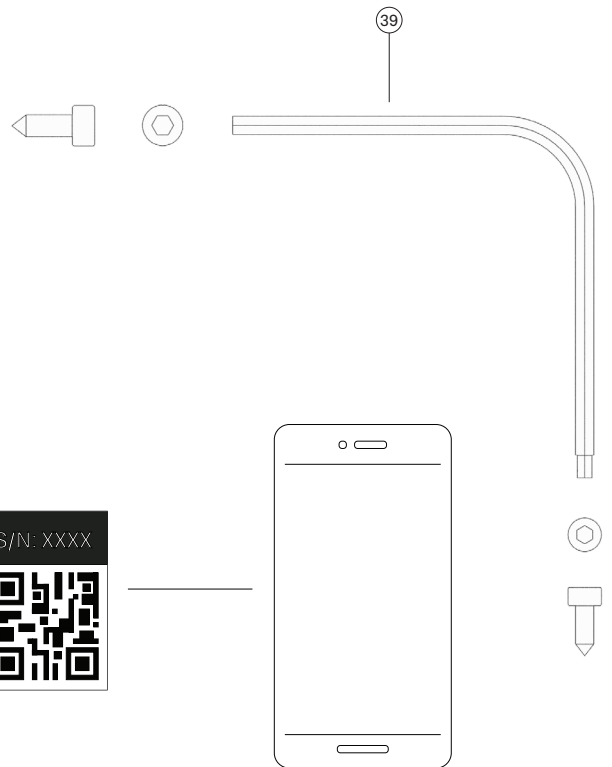
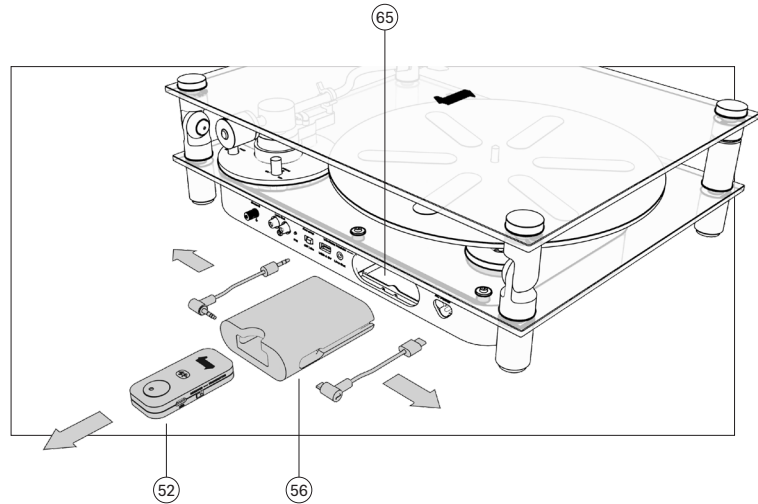
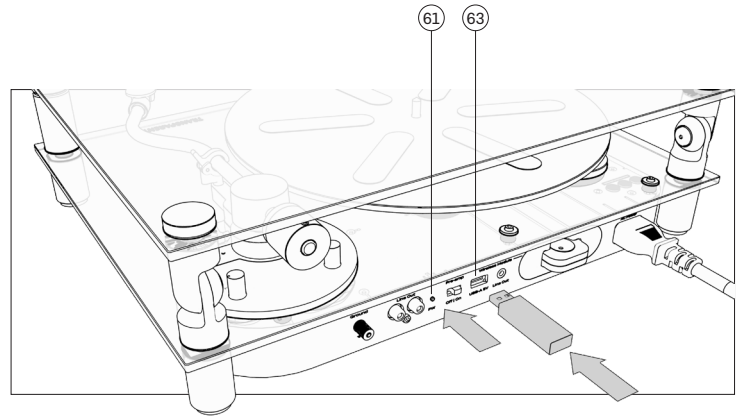
Service och support

Kontakta oss via e-post på support@transpa.rent om du har frågor.

Kontakt

Transparent Sound AB
Döbelngatan 47
113 52 Stockholm
Sverige

<https://transpa.rent>



Tekniska specifikationer

Allmänt

Nominella hastigheter: 33 ⅓ och 45 rpm
Hastighetsvariation: 33: ±0,70 % 45: ±0,60 %
"Wow and flutter": 33: ±0,25 % 45: ±0,25 %
Signal till brus: ≥ 70dB vid 1kHz, 0dB A-vägd
Tracking force: 1,75 gram
Effektiv tonarmsmassa: 13,5g
Effektiv tonarmslängd: 220 mm
Överhäng: 19,5 mm
Max strömförbrukning: 15W
Mått (B x H x D): 410 x 125 x 320 mm
Vikt: 6,5 kg
Mått förpackning (B x H x D): 580 x 240 x 460 mm
Vikt inkl. förpackning: 7,0 kg
Märk ingångsspänning: 100-240Vac, @ 50/60Hz

MM phono förförstärkare

Förstärkning: 34dB +/- 2dB
Utspänning: > 220 mV/1kHz vid 5mV/1kHz ingång
Ingångsimpedans: 47kOhms/100pF
RIAA-utjämningskurvas noggrannhet: 20Hz-15kHz / max. 2db.

Bluetooth 5-modul (förinstallerad i TT Gen 1)

Bluetooth-version: 5.0
Normal eller True Wireless (stereo) parning
3,5 mm port för digitala (optiska) och analoga signaler
µUSB-port för 5V ström
Dubbelt läge: Växla mellan sändare (TX) och mottagare (RX) - Standard i TT ska vara TX
Chip: Qualcomm CSR8670C
Codec: aptX LL / SBC / MP3 / AAC
Fördröjning: Extremt låg <40ms
Guldpläterade kontakter för perfekt signalöverföring
Flera inställningsalternativ och flexibel användning
Multikonfigurerbart I2S, SPDIF-gränssnitt
Inbyggd 16-bitars Stereo Codec- 95dB SNR för DAC
D/A-konvertering 16 Bit / 96 kHz
A/D-konvertering 16 bitar / 48 kHz
Temperaturområde: 5 till +50 °C
Tillåten relativ luftfuktighet: 5 - 90 %
Spänningsförsörjning: 5V
Mått: 33 x 62 x 12 (b x h x d i mm)
Vikt: 0,02 kg

MM-pickup Ortofon OM 5E

Frekvensområde: 20-25.000Hz +3 / -3
Utspänning vid 1000 Hz, 5cm/s: 4 mV
Kanalbalans vid 1 kHz: 2 dB
Kanalseparation vid 1 kHz: 22 dB
Kanalseparation vid 15 kHz: 15 dB
Tracking förmåga vid 315 Hz vid rekommenderad tracking force (typiskt värde): 60 µm
Compliance, dynamisk, lateral: 20 µm/mN
Nåltyp: Elliptisk
Nålspetsradie: r/R 8/18 µm
Tracking force område: 1,5-2,0 g (15-20 mN)
Tracking force, rekommenderad: 1,75 g (17,5 mN)
Spårningsvinkel: 20°
Intern impedans, DC-resistans: 750 Ohm
Intern induktans: 450 mH
Rekommenderat belastningsmotstånd: 47 kOhm
Rekommenderad belastningskapacitans: 200-500 pF
Pickup färg, kropp/nål: Svart/svart
Pickupvikt inkl. extra vikt: 5 g
Pickupvikt exkl. extra vikt: 2,5 g
Ersättningsstiftet: Stylus 5E
OM 5E har en elliptisk nål som ger balanserad och distorsionsfri uppspelning. Elliptiska diamanter kan följa spårsvängningarna mer exakt än sfäriska diamanter på grund av sin konturform. Detta resulterar i bättre spårning och mindre distorsion.

Material

Glas: Härdat Optiwhite
Aluminium: AL6061 - Uppskattat 50 % återvunnet innehåll
Plast: ABS V0+UV - 100% återvunnet innehåll
Papper och kartong: 100 % FSC-certifierad
Produktväskor: Spunlace
Förpackningsbuffert: EPE

Viktiga säkerhetsinstruktioner

- 1) Läs dessa instruktioner.
- 2) Spara dessa instruktioner.
- 3) Följ alla varningar.
- 4) Följ alla instruktioner.
- 5) Använd inte denna apparat nära vatten.
- 6) Rengör endast med den medföljande trasan lätt fuktad.
- 7) Blockera inga ventilationsöppningar. Installera i enlighet med tillverkarens instruktioner.
- 8) Installera inte nära några värmekällor som radiatorer, värmeregister, spisar eller andra apparater (inklusive förstärkare) som producerar värme.
- 9) Ignorera inte säkerhetssyftet med den polariserade eller jordade kontakten.
En polariserad kontakt har två blad, varav den ena är bredare än den andra. En jordad kontakt har två blad och ett tredje jordstift. Det breda bladet eller tredje stiftet tillhandahålls för din säkerhet. Om den medföljande kontakten inte passar i ditt uttag, kontakta en elektriker för byte av det föråldrade uttaget.
- 10) Skydda nätsladden från att trampas på eller klämmas, särskilt vid kontakter och den punkt där den

kommer ut ur apparaten.

- 11) Använd endast tillbehör som specificerats av tillverkaren.
- 12) Koppla ur den här apparaten under åskväder eller när den inte används under långa perioder.
- 13) Överlåt all service till kvalificerad servicepersonal. Service krävs när apparaten har skadats på något sätt, till exempel när nätsladden eller kontakten är skadad, vätska har spillts eller föremål har fallit in i apparaten, apparaten har utsatts för regn eller fukt, inte fungerar normalt, eller har tappats.
- 14) För att helt koppla bort apparaten från elnätet, koppla ur nätkabelns kontakt från nätuttaget.
- 15) Nätsladden till nätsladden ska vara lätt att använda. Endast 3-stifts brittisk kontakt kommer att användas i Singapore.

Varning

För att minska risken för brand eller elektriska stötar, utsätt inte denna apparat för regn eller fukt.

Varning

Ändringar eller modifieringar som inte godkänts av Transparent Sound AB kan upphäva användarens rätt att använda utrustningen.

Symboler

Varning: För att förhindra risken för elektriska stötar, ta inte bort kåpan (eller baksidan). Inga delar inuti som kan repareras av användaren. Lämna service till kvalificerad servicepersonal.



Denna apparat får inte behandlas som vanligt hushållsavfall. Hantering av WEEE (avfall från elektrisk och elektronisk utrustning) är tillämplig i Europeiska unionens medlemsstater och andra europeiska länder med enskilda nationella riktlinjer för hanteringen av WEEE. Om du behöver mer information om system för insamling, återanvändning och återvinning, kontakta din lokala eller regionala avfallsförvaltning.



Produkten uppfyller följande europeiska direktiv:

- Ekodesignkrav för direktivet om energirelaterade produkter (EG) 278/2009
- Radioutrustningsdirektivet (RED) 2014/53/EU
- Lågspänningsdirektivet (LVD) 2014/35/EU

• Säkerhetsstandard för ITE- och AV-utrustning. Överensstämmer med UL62368-1 för Nordamerika och certifierad enligt Kanada IEC62368-1.

Produkten uppfyller RoHS (Restriction of Hazardous Substances Directive) 2011/65/EU & 2015/863/EU (RoHS 3)

Krav på radiofrekvensstörningar - FCC
Denna enhet uppfyller del 15 av FCC-reglerna.

Driften är föremål för följande två villkor:

- (1) Denna enhet får inte orsaka skadliga störningar, och
- (2) Denna enhet måste acceptera alla mottagna störningar, inklusive störningar som kan orsaka oönskad funktion.

OBS! Den här produkten har testats och befunnits följa gränserna för en digital enhet av klass B, i enlighet med del 15 av FCC-reglerna. Dessa gränser är utformad för att ge rimligt skydd mot skadliga störningar i en bostadsinstallation. Denna produkt genererar, använder och kan utstråla radio frekvensenergi och kan, om den inte installeras och används i enlighet med instruktionerna, orsaka skadliga störningar på radiokommunikation. Det finns dock ingen garanti för att störningar inte kommer att inträffa i en speciell installation. Om denna produkt orsakar skadliga störningar på radio- eller tv-mottagning, vilket kan fastställas genom att stänga av utrustningen och vidare uppmanas användaren att försöka korrigera störningen med en eller flera av följande åtgärder:

- Omorientera eller flytta mottagningsantennen.
 - Öka avståndet mellan utrustningen och mottagaren.
 - Anslut utrustningen till ett uttag på en annan krets än den som mottagaren är ansluten till.
 - Konsultera återförsäljaren eller en erfaren radio/TV-tekniker för hjälp.
- Var uppmärksam på att ändringar eller modifieringar som inte uttryckligen godkänts av den part som ansvarar för efterlevnaden kan ogiltigförklara användarens behörighet att använda utrustningen.

Enligt Industry Canada-reglerna får denna radiosändare endast användas med en antenn av en typ och maximal (eller mindre) förstärkning som är godkänd för sändare från Industry Canada. För att minska potentiella radiostörningar för andra användare bör antenntypen och dess förstärkning väljas så att motsvarande isotropiskt utstrålad effekt (e.i.r.p.) är inte mer än vad som är nödvändigt för framgångsrik kommunikation.

Produkten uppfyller säkerhets- och EMC-godkännandet (Electro Magnetic Compatibility) för elektriska produkter som säljs på den japanska marknaden. Tillämplig lag är DENAN Act (Electrical Appliance and Material Safety Act) i Japan.



Korea Communication Commission: anger överensstämmelse med Koreas produktsäkerhetskrav för elektrisk och elektronisk utrustning och är utfärdad av Korea-baserat certifieringsorgan som har godkänts av Korea Standards Association.



UK Conformity Assessed (UKCA)-märkning är ett överensstämmelsemärke som anger överensstämmelse med tillämpliga krav för produkter som säljs inom Storbritannien (England, Skottland och Wales).



UKNI-märkningen är en överensstämmelsemärkning för produkter som släpps ut på marknaden i Nordirland och som har genomgått en obligatorisk tredjepartsbedömning av överensstämmelse av ett anmält organ.



IEC 60417: För att identifiera elektrisk utrustning som främst är konstruerad för inomhusbruk.



Denna produkt överensstämmer med:

ETLus: UL62368-1
FCC SDOC: FCC PART15B
IC: ICES-003
CE-LVD: EN62368-1
CE-EMC: EN55032 + EN55035 + IEC EN61000-3-2 + IEC EN61000-3-3
UKCA: BS EN62368-1+BS EN55032/35 +BS EN61000-3-2/3
PSE: J62368

Transparent Turntable est une platine vinyle de haute qualité. Elle est construite avec un socle en verre trempé capot anti-poussière (7), la plupart des pièces structurelles étant fabriquées en aluminium. Ces matériaux robustes offrent une structure rigide pour garantir une lecture fiable dans la durée.

Le système du moteur, entraîné par courroie, est une méthode fiable pour assurer une lecture cohérente sur une longue période de temps, et il existe des commandes de précision pour la vitesse et l'alignement (23 et 27).

Nous avons développé notre propre bras de lecture avec une coquille porte-cellule pouvant contenir n'importe quelle cartouche à aimant mobile avec des trous de montage standard, mais la porte-cellule aussi est modulaire grâce au connecteur standard SME.

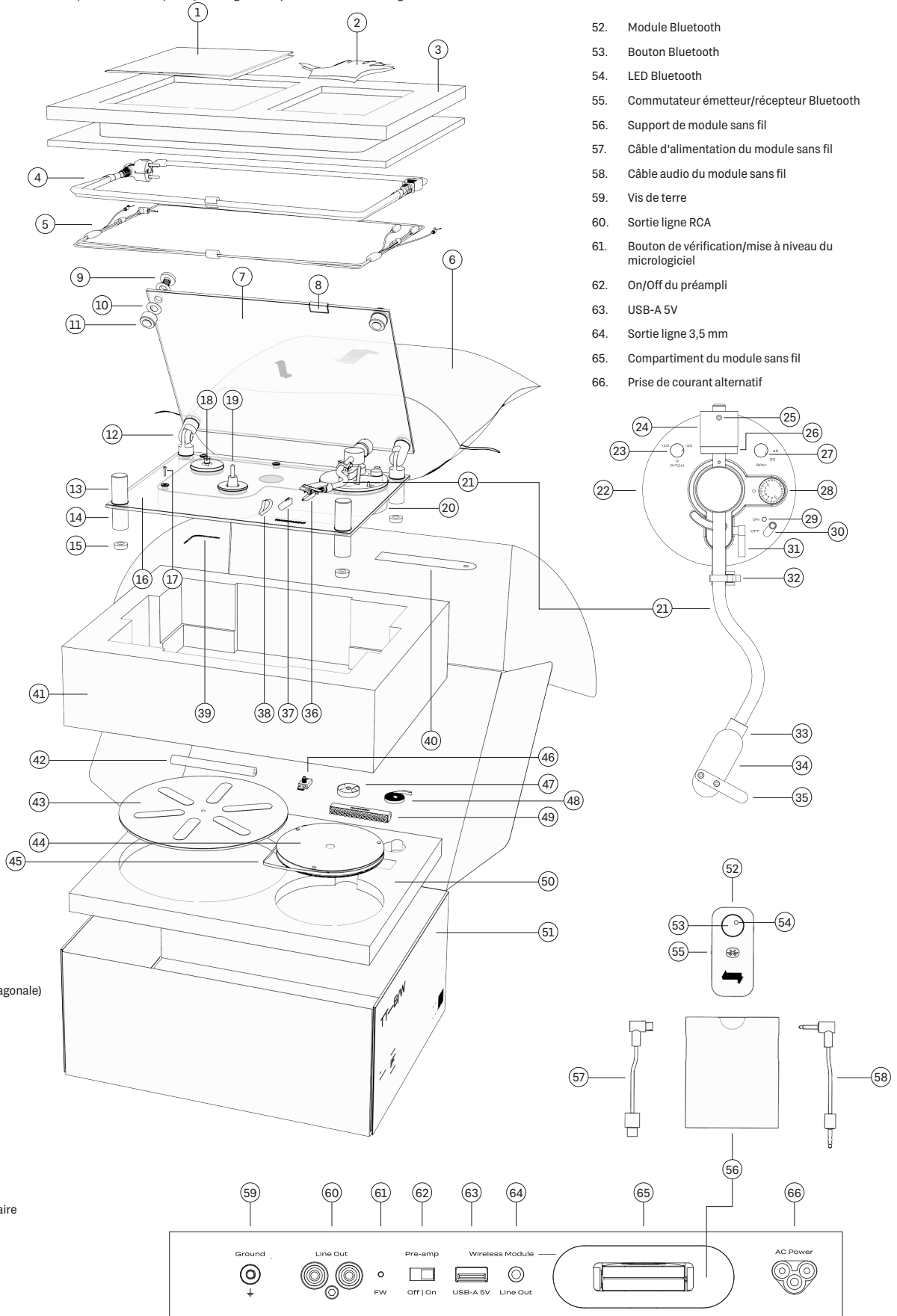
Le bras de lecture est actionné par une poignée en aluminium (35), un levier (31) et un clip (32).

La platine Transparent (TT) est dotée d'un préamplificateur intégré. Cela signifie qu'il peut jouer directement sur n'importe quel haut-parleur (actif) moderne sans avoir besoin d'un équipement séparé. Si vous souhaitez utiliser des amplificateurs externes, il existe bien sûr également un interrupteur marche/arrêt du préampli. La TT est bien sûr livrée avec des câbles de musique, mais pour garantir une fonctionnalité dans la durée, nous avons également développé un compartiment pour les modules sans fil. La TT de première génération est livrée avec notre module Bluetooth™ préinstallé afin que vous puissiez profiter de vos disques vinyles en lecture sans fil si vous le souhaitez. Le compartiment est prêt à s'adapter et à évoluer pour répondre aux besoins futurs. La conception entièrement modulaire, la construction de haute qualité et la nature évolutive de ce produit font partie de la philosophie de conception circulaire de Transparent. Il ne s'agit pas seulement de savoir d'où proviennent toutes les matières premières, mais aussi d'un plan visant à ce que le produit garde sa pertinence sur une longue durée.

les pièces

1. Manuel Utilisateur
2. Gants
3. Mousse de protection supérieur
4. Câble d'alimentation
5. Câble musical (RCA)
6. Sac de produit
7. Capot anti-poussière
8. Poignée de doigt
9. Vis de pilier x4
10. Rondelles x16
11. Piliers supérieurs x2
12. Piliers de charnière x2
13. Piliers avant x2
14. Piliers inférieurs x4
15. Pieds en caoutchouc x4
16. Socle
17. Des vis
18. Poulie moteur
19. Broche
20. Boîte E
21. Bras de lecture
22. Plaque de base du bras de lecture
23. Bouton précision Vitesse / Hauteur
24. Contrepoids du bras de lecture
25. Vis de réglage du contrepoids
26. Cadran de contrepoids
27. Bouton de réglage Vitesse / Tours
28. Bouton anti-patinage
29. LED
30. Bouton ON / OFF
31. Levier de levage du bras de lecture
32. Clip pour bras de lecture
33. Support de coquille porte-cellule
34. Coquille porte-cellule
35. Poignée du bras de lecture
36. Cartouche
37. Couvercle de cartouche
38. Élastique
39. Outil d'assemblage (clé Allen/clé hexagonale)
40. Outil d'alignement des cartouches
41. Mousse de protection intermédiaire
42. Chiffon
43. Plateau
44. Sous-plateau
45. Courroie en caoutchouc
46. Adaptateur de terre USB
47. Adaptateur 45 tr/min
48. Courroie en caoutchouc supplémentaire
49. Brosse à disque
50. Mousse de protection inférieur
51. Emballage

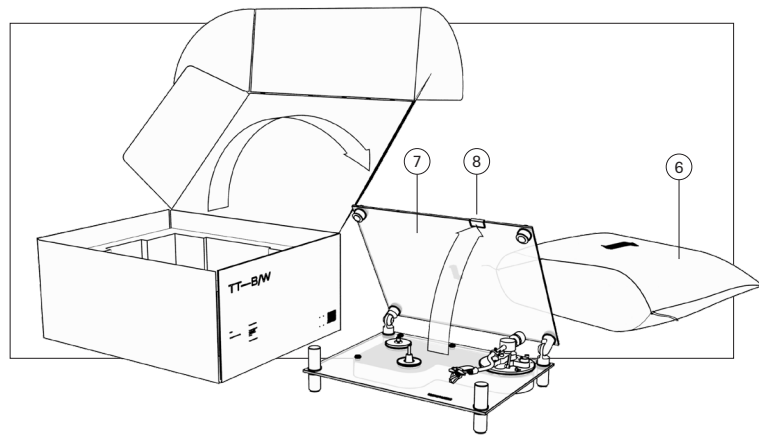
52. Module Bluetooth
53. Bouton Bluetooth
54. LED Bluetooth
55. Commutateur émetteur/récepteur Bluetooth
56. Support de module sans fil
57. Câble d'alimentation du module sans fil
58. Câble audio du module sans fil
59. Vis de terre
60. Sortie ligne RCA
61. Bouton de vérification/mise à niveau du micrologiciel
62. On/Off du préampli
63. USB-A 5V
64. Sortie ligne 3,5 mm
65. Compartiment du module sans fil
66. Prise de courant alternatif



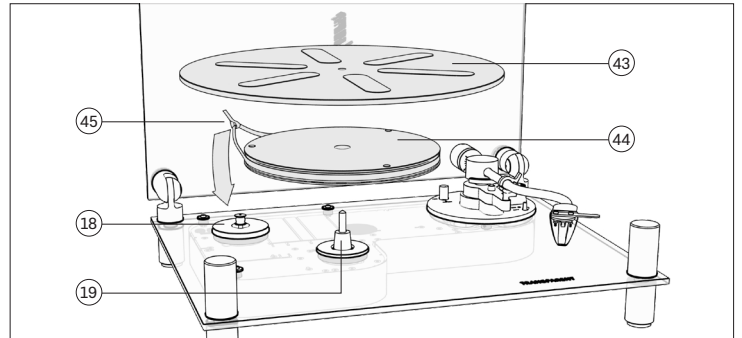
Manuel Utilisateur

Guide d'installation

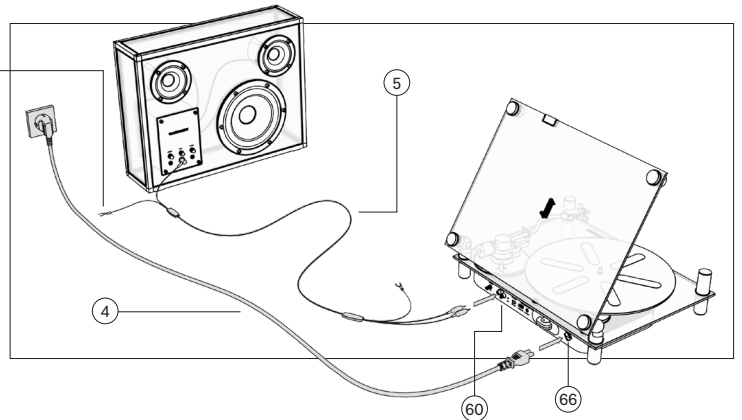
- Déballez votre platine vinyle à proximité du haut-parleur que vous utiliserez. Assurez-vous d'avoir suffisamment de surface plane pour placer votre platine vinyle et une prise électrique à proximité.
- Ouvrez la boîte.
- Mettez les gants (2). Retirez tout la protection supérieur (3) et mettez de côté pour le moment.
- Soulevez votre platine vinyle de l'emballage.
- Ouvrez le sac de produit (6) et tirez doucement l'ouverture au-dessus des piliers avant, puis vers l'arrière pour révéler toute la platine.



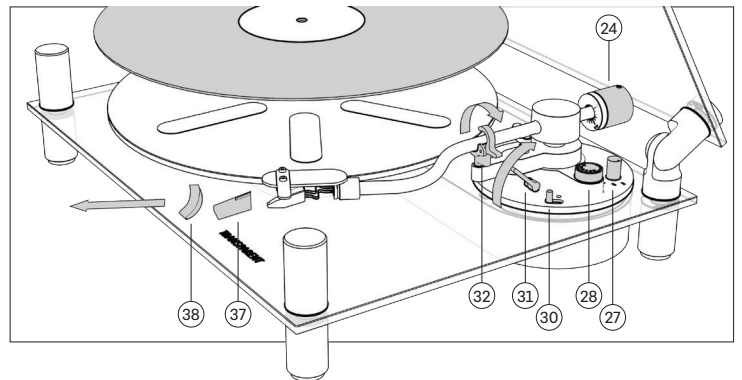
- Ouvrez le capot anti-poussière (7) à l'aide de la petite poignée (8).
- Sortez le sous-plateau (44) de l'emballage.
- Placez le sous-plateau sur la broche (19) avec les trois points en caoutchouc vers le haut.
- Pincez le drapeau en papier retenant la courroie en caoutchouc (45) du côté du sous-plateau et tirez-le sur la poulie du moteur (18), puis retirez le drapeau en papier.



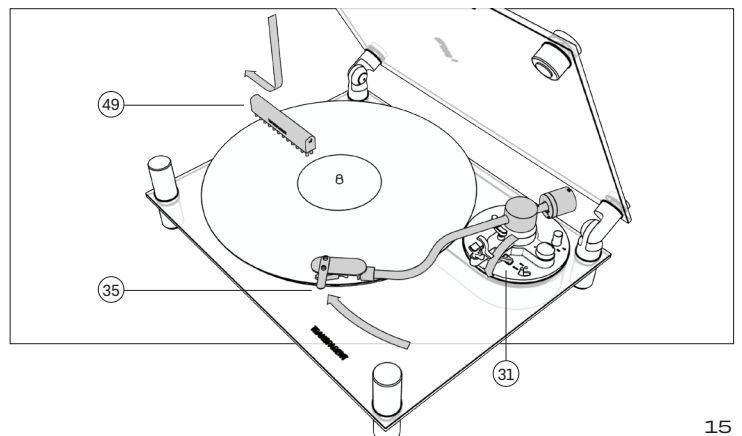
- Placez le plateau principal (43) dessus avec les six bandes de caoutchouc tournées vers le haut.
- Connectez d'abord le câble d'alimentation (4) à la prise d'alimentation CA (66) à l'arrière du plateau tournant. Connectez l'autre côté à une prise murale.
- Connectez le mini-jack du câble musical (5) à la prise « Line in » de votre haut-parleur ou amplificateur et branchez le côté RCA du câble à la prise de sortie ligne RCA (60) à l'arrière de la platine. Assurez-vous de brancher la fiche blanche sur le connecteur blanc et la fiche rouge sur le connecteur rouge.
- Pour les instructions concernant le fil de terre en forme de Y sur le câble audio (nécessaire pour le petit haut-parleur Transparent), voir page 16.
- Pour la lecture sur deux enceintes, voir page 16.
- Pour la lecture via Bluetooth, voir page 16.
- Assurez-vous que votre haut-parleur est allumé et que le volume est d'au moins 50 %.
- Assurez-vous que l'interrupteur du préampli (62) à l'arrière du tourne-disque est en position « ON ». Pour une utilisation avec des amplificateurs externes, tournez l'interrupteur du préampli en position d'arrêt « OFF ».
- Placez maintenant la platine à l'endroit souhaité. Nous vous recommandons d'utiliser des gants et de garder le couvercle anti-poussière fermé à tout moment lorsque vous la soulevez et déplacez.
- Si la surface sous votre platine n'est pas plane, vous pouvez ajuster les pieds en caoutchouc (15) à l'aide d'un tournevis à tête plate normal.



- Le contrepois du bras de lecture (24) est pré-calibré, il n'est donc pas nécessaire de régler le poids. Pour les instructions d'étalonnage de la force de suivi, voir page 17.
- Retirez l'élastique (38) du couvercle de la cartouche (37) en place pendant le transport. Retirez également le couvercle de la cartouche.
- Placez votre disque vinyle préféré sur le plateau.
- Mettez l'interrupteur marche/arrêt (30) en position marche.
- Vérifiez à nouveau que le bouton de réglage de vitesse (27) est sur la position 33 RPM (c'est la vitesse d'enregistrement la plus courante). Pour jouer les 45-tours, voir page 16.
- Vérifiez à nouveau que le bouton anti-patinage (28) est en position 2. Pour les réglages anti-patinage, voir page 17.
- Déverrouillez le clip du bras de lecture (32).
- Soulevez le bras de lecture à l'aide du levier du bras de lecture (31).



- Déplacez le bras de lecture en pinçant la poignée (35) et positionnez l'aiguille de la cartouche au-dessus du bord au début du disque. A présent, le disque devrait tourner.
- S'il y a de la poussière sur votre disque, prenez le temps de nettoyer le disque à l'aide de la brosse à disque (49) pendant que le disque tourne et que le bras de lecture est en position haute. Abaissez la brosse sur le côté gauche du disque pour qu'elle nettoie toutes les pistes du disque simultanément. Il n'est pas nécessaire de déplacer la brosse d'avant en arrière, laissez-la simplement attraper la poussière pendant que le disque tourne, puis retirez-la du disque.
- Abaissez le bras de lecture en abaissant le levier (31).
- Vous devriez maintenant entendre de la musique. Si nécessaire, réglez finement la vitesse à l'aide du bouton de pitch (23). Réglez le volume de votre enceinte et profitez du moment.
- Une fois la lecture terminée, le moteur s'arrêtera. Lorsque vous avez fini de jouer, soulevez d'abord le levier du bras de lecture. Saisissez la poignée du bras de lecture et déplacez le bras de lecture vers sa position de repos (32). Verrouillez le clip du bras de lecture. Fermez le cache-poussière avec la poignée.



Le capot anti-poussière

Lors de l'ouverture et de la fermeture du capot anti-poussière, utilisez toujours la poignée (8) pour éviter de tacher le verre.

Pendant la lecture d'un disque ou lorsqu'il n'est pas utilisé, le couvercle doit être baissé pour le protéger de la poussière.

Si vous trouvez que la force de charnière est trop forte ou, au fil du temps, peut-être trop faible, utilisez l'outil d'assemblage (39) fixé au bas de la boîte E et serrez les vis de charnière pour trouver la force de charnière souhaitée. N'oubliez pas de retirer tous les plateaux et d'utiliser des gants si vous retournez votre platine.

Si vous préférez utiliser votre platine sans le cache anti-poussière pour une raison quelconque, vous pouvez la démonter en utilisant uniquement vos doigts:

- Dévissez les quatre vis des piliers (9) sur le dessus, retirez le cache-poussière et les deux piliers supérieurs (11).
- Dévissez les deux montants avant (13) et les deux montants charnières (12) et rangez-les.
- Fixez les quatre vis du pilier, cette fois à travers le socle et vers le bas dans les piliers inférieurs (14). Assurez-vous qu'ils disposent chacun d'une rondelle (10) pour protéger le verre.

Si vous constatez que vos montants avant et supérieurs ne s'alignent pas parfaitement :

- Dévissez les deux vis du pilier supérieur et repositionnez les piliers supérieurs pour qu'ils s'alignent avec les deux piliers avant, puis resserrez-les. Si nécessaire, répétez cette procédure sur les montants avant.

Paramètres de vitesse

La plupart des disques utilisent la vitesse de 33 1/3 RPM, il s'agit donc du paramètre de vitesse standard. Certains disques, souvent des disques plus petits ou des singles, utilisent une vitesse de 45 tours/min. Ces disques ont souvent un trou plus grand pour l'axe, pour cela vous devez utiliser l'adaptateur 45 RPM (47) inclus lorsque vous placez votre disque sur le plateau, et vous devez changer le bouton de réglage de la vitesse RPM (27) sur 45.

Si vous sentez que la vitesse de lecture de votre musique nécessite un réglage plus précis, vous pouvez utiliser le bouton de précision vitesse/pitch (23).

Lecture sur le petit haut-parleur transparent via le câble / Éviter le bruit au sol

Les micros de platine vinyle sont des appareils sensibles et peuvent capter différents types de bruits indésirables dans diverses situations. Cela peut dépendre de la connexion à la terre ou du blindage des composants électroniques des différentes enceintes. La prise "Line In" inférieure du petit haut-parleur transparent entraîne parfois des bruits de fond indésirables lors de la lecture à partir d'une platine vinyle, et nous avons développé une méthode pour gérer cela.

Le câble RCA (5) comporte un petit fil de terre avec une petite fourche de connexion à la terre en forme de « Y » aux deux extrémités. Cette fourche est destinée à être fixée sur une vis de terre (59) des deux côtés.

Insérez d'abord le câble RCA dans la sortie de ligne RCA de la platine (60), retournez le STS sur le côté pour exposer les connecteurs vers le haut et insérez le mini-jack dans la ligne STS.

Du côté du plateau tournant, la vis de terre est située sur le côté gauche de la sortie de ligne RCA. Fixez la fourche en place sur la vis de terre. Côté haut-parleur, insérez l'adaptateur de masse USB (46) dans la prise USB et vissez la fourche en place sur la vis de masse.

Vous pouvez maintenant suivre les étapes normales pour commencer à lire un disque.

NOTE! Si vous jouez sur la prise "Line In" avant du STS ou si vous jouez sur un grand haut-parleur transparent, il ne devrait pas être nécessaire d'utiliser la fourche du fil de terre ou l'adaptateur de terre USB.

Lecture sur deux haut-parleurs via un câble

Tous les haut-parleurs transparents sont livrés avec un câble audio inclus. Celle-ci peut être utilisée depuis la prise de sortie ligne 3,5 mm (64) du plateau tournant jusqu'à la prise Line In 3,5 mm à l'arrière, à l'arrière ou à l'avant de votre enceinte Transparent (selon le modèle).

Le deuxième haut-parleur peut ensuite être connecté à l'aide du câble RCA pour une lecture simultanée.

Si l'un des haut-parleurs est un petit haut-parleur transparent, veuillez consulter les instructions d'utilisation de l'adaptateur de masse USB (46) ci-dessus.

Si vous jouez sur deux petites enceintes Transparent, nous vous recommandons d'utiliser le câble RCA (5) avec le fil de terre vers l'entrée de ligne inférieure, et le câble de musique STS inclus vers l'entrée de ligne avant de votre deuxième enceinte.

Pour la sélection des canaux gauche/droite sur votre haut-parleur transparent ou votre petit haut-parleur transparent, veuillez vous référer à ces manuels d'utilisation respectifs.

Note! Si vous souhaitez jouer sur une paire de hauts-parleurs traditionnelle, nous vous recommandons d'utiliser le câble RCA de la sortie ligne RCA de la platine (60) à l'entrée ligne IN de votre amplificateur existant sur lequel vos enceintes (passives) sont déjà connectées. Dans ce cas, pensez à éteindre le commutateur de préampli (62) à l'arrière de votre platine.

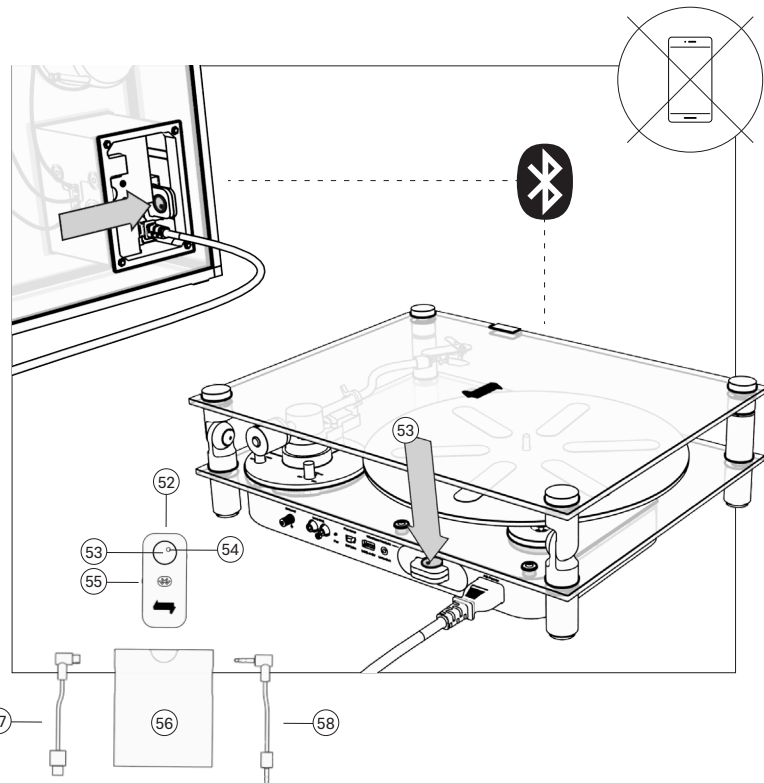
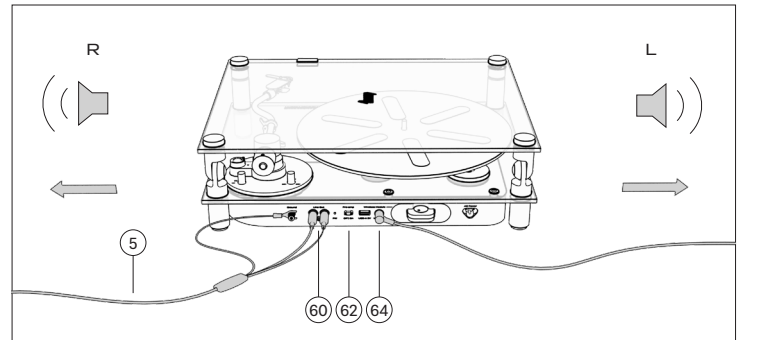
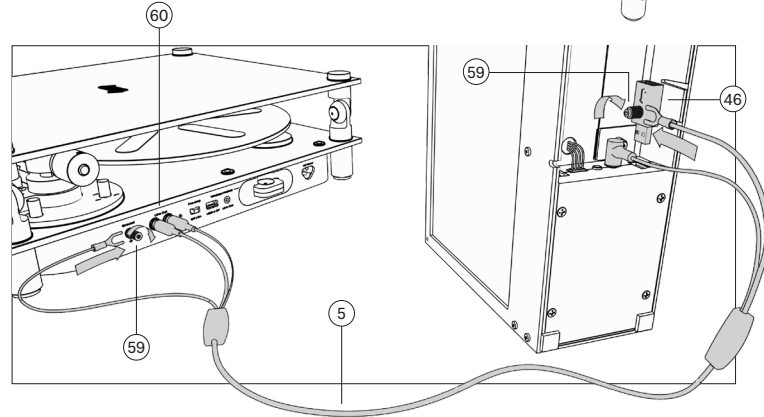
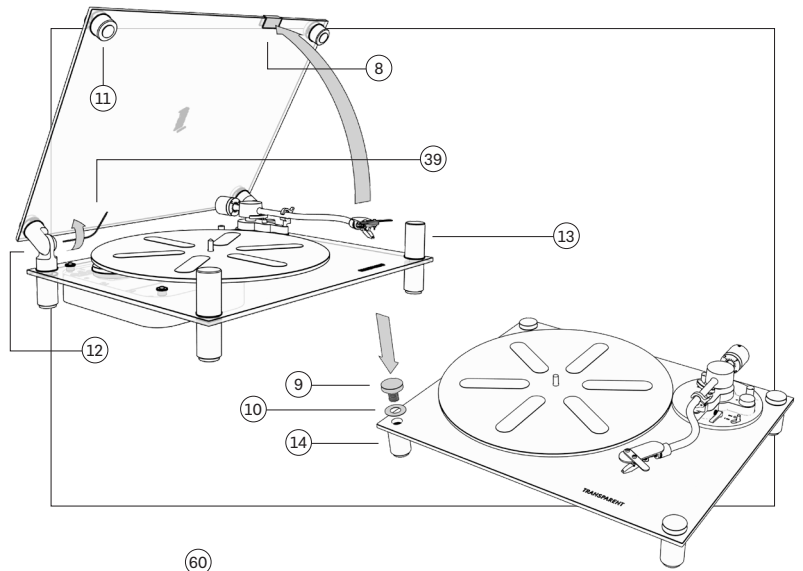
Lecture sur un haut-parleur via Bluetooth

La platine vinyle Transparent devrait être compatible avec la plupart des hauts-parleurs et écouteurs Bluetooth du marché, mais nous ne pouvons pas garantir la compatibilité avec tous les protocoles à tout moment. Les instructions ci-dessous se concentreront sur le couplage avec des enceintes Transparent. NOTE! Votre smartphone n'est pas nécessaire pour coupler une enceinte avec la platine vinyle.

- Assurez-vous que votre platine vinyle et votre haut-parleur sont sous tension.
- Appuyez sur le bouton Bluetooth de votre haut-parleur Transparent (ou autre haut-parleur compatible Bluetooth).
- Appuyez sur le bouton Bluetooth (53) de votre platine vinyle Transparent. Remarquez comment le voyant Bluetooth (54) commence à clignoter plus rapidement pendant le mode d'appairage, et à nouveau plus lentement lorsque la connexion est établie. Vous devriez également entendre un effet sonore dans le haut-parleur confirmant la connexion.

Dépannage:

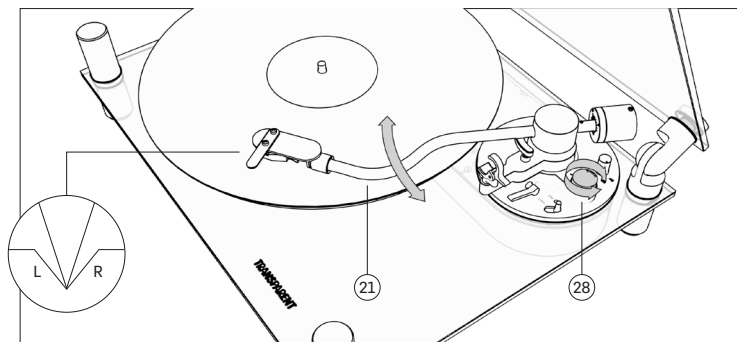
- Assurez-vous que le haut-parleur et la platine sont suffisamment proches l'un de l'autre. Dans certaines conditions, pas plus de quelques mètres les uns des autres.
- Sélectionnez « oublier l'appareil » de vos enceintes Transparent dans les paramètres Bluetooth de tous les smartphones, tablettes, ordinateurs, téléviseurs, etc. précédemment couplés. Ceci afin d'éviter que les enceintes ne se connectent à d'autres appareils que le tourne-disque pendant l'opération de couplage.
- Réinitialisez les paramètres d'usine en appuyant longuement sur le bouton Bluetooth de votre haut-parleur et de votre platine vinyle (généralement +6 ou +10 secondes) jusqu'à ce que le voyant Bluetooth clignote rapidement.
- Assurez-vous que le module Bluetooth du côté haut-parleur est réglé sur « Récepteur » (N/A sur STS) et que le module Bluetooth du côté platine est réglé sur « Émetteur » (55).
- Assurez-vous que le module Bluetooth de la platine vinyle est bien allumé, il devrait avoir un voyant rouge clignotant lentement sur le bouton. Sinon (après avoir retiré tout disque et les deux plateaux et avec des gants), retournez soigneusement la platine et examinez le compartiment du module sans fil (65) afin que les deux câbles (57, 58) à l'intérieur du compartiment soient suffisamment branchés à la fois à la platine et au module Bluetooth.



Lecture sur deux haut-parleurs via Bluetooth

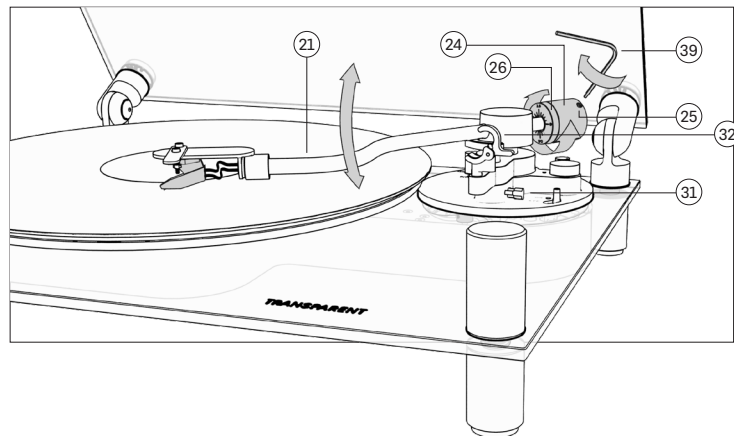
Transparent Turntable devrait être compatible avec la plupart des haut-parleurs et écouteurs Bluetooth du marché, mais nous ne pouvons pas garantir la compatibilité du véritable couplage sans fil avec tous les protocoles à tout moment. Les instructions ci-dessous se concentreront sur le couplage avec des haut-parleurs Transparent.

- Si l'un de vos haut-parleurs est déjà couplé à des smartphones, tablettes, ordinateurs portables, téléviseurs, etc., accédez au menu Bluetooth et sélectionnez « oublier l'appareil ». Effectuez ensuite un appui long sur micrologiciel remise à zéro sur le bouton Bluetooth du haut-parleur.
- Placez vos haut-parleurs et votre platine vinyle dans la même pièce, à moins de 5 m les uns des autres, de préférence encore plus près.
- Assurez-vous que les deux haut-parleurs et platine vinyle sont sous tension.
- Appuyez longuement sur le bouton Bluetooth du premier haut-parleur et relâchez-le pendant le voyant rouge et entendez la commande « True Wireless Pairing Mode ». Faites ensuite de même sur le deuxième haut-parleur.
- Astuce: ouvrez les paramètres Bluetooth d'un smartphone et attendez que les deux haut-parleurs apparaissent dans la liste des nouveaux appareils Bluetooth (mais ne les sélectionnez pas à l'écran).
- Appuyez maintenant sur le bouton d'appairage du plateau tournant (53).
- La connexion devrait maintenant être terminée.
- Si vous utilisez deux haut-parleurs Small Transparent Speaker ou deux haut-parleurs Light Speakers, ou une combinaison de ceux-ci, ils doivent automatiquement passer en mode canal « Gauche » ou « Droite ». Sinon, il peut être ajusté par un appui long (voir les instructions sur la face en-dessous du haut-parleur). Pour le grand haut-parleur Transparent Speaker, vous effectuez cette sélection manuellement sur le panneau arrière à l'aide d'un commutateur.



Anti-patinage

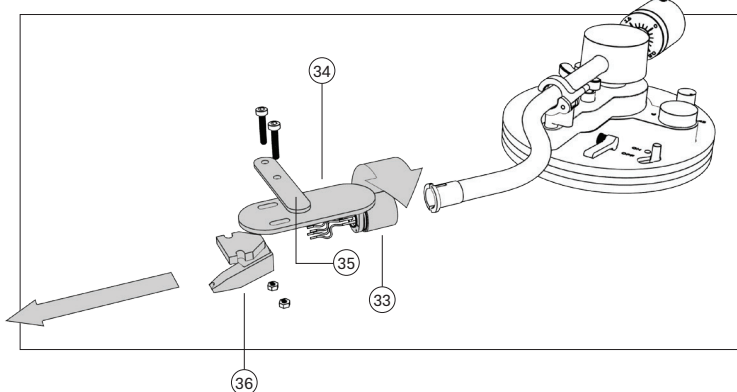
La petite « aiguille » ou « stylet » (36) située à l'extrémité du bras de lecture (21) capte les vibrations musicales d'un sillon en forme de V sur le disque. Le côté intérieur ou « gauche » du V contient toutes les informations sur les ondes sonores du canal gauche de l'enregistrement musical, et vice versa sur le côté extérieur ou « droit » de ce sillon. Le bras de lecture veut naturellement se rapprocher du centre du disque, mais s'il tire ou « patine » trop fort vers l'intérieur, il poussera trop fort du côté du canal gauche, ce qui à son tour créera une distorsion du canal droit dans la musique. Si vous entendez cela se produire, vous pouvez faire « patiner » le stylet moins vers l'intérieur en augmentant la force anti-patinage sur le bouton anti-patinage (28). Et vice versa, si vous entendez des distorsions du canal gauche dans la musique, vous devez diminuer la force anti-patinage. Le but est de laisser l'aiguille se déplacer au milieu de la rainure en forme de V. Le paramètre anti-patinage par défaut sur votre TT devrait être 2.



Force de suivi vertical/étalonnage du contrepois du bras de lecture

Votre TT devrait être livré avec un contrepois de bras de lecture pré-calibré (24). Mais si nécessaire, veuillez suivre les étapes ci-dessous.

- Ouvrez le capot (7) et utilisez l'outil d'assemblage (39) pour desserrer la vis de réglage du contrepois (25).
- Relâchez le clip du bras de lecture (32) mais maintenez le levier de levage du bras de lecture (31) en position basse.
- Saisissez le contrepois avec vos doigts, vissez-le vers l'extérieur jusqu'à ce que le bras de lecture se soulevé de sa position de repos.
- Faites pivoter le bras de lecture vers l'intérieur au-dessus le disque. Maintenant, revissez doucement le contrepois jusqu'à ce que vous puissiez voir un bras de lecture parfaitement équilibré. Il n'est pas nécessaire qu'il soit complètement au niveau, mais il doit flotter dans les airs sans monter ni descendre. Donnez-lui un peu de temps et lorsque vous trouvez une position complètement équilibrée, saisissez doucement la molette rotative du contrepois (26) et tournez-la en position 0. Vous devez empêcher le reste du poids de tourner, vous devez donc peut-être le maintenir en place avec votre autre main.
- Découvrez la force de suivi recommandée de votre cartouche. Par exemple, pour l'Ortofon OM5E c'est 1,75g que l'on peut trouver sur le site Ortofon ou dans le manuel d'utilisation. Normalement, il est d'environ 2 g, donc si vous n'êtes pas sûr, nous vous recommandons ce paramètre.
- Tournez maintenant tout le contrepois (y compris le cadran) à la force de suivi recommandée de votre cartouche.
- Enfin, serrez l'une des vis de réglage pour fixer la position du contrepois désormais calibrée.



Changer la cartouche

Habituellement, la cartouche (36) est préinstallée. Sinon, installez la cartouche dans le porte-cellule en aluminium (34) à l'aide des deux vis de montage situées sur la poignée du bras de lecture (35). Toutes les cartouches avec des trous de montage standard d'un demi-pouce peuvent être installées. Connectez les câbles de la cartouche comme indiqué ci-dessous :

Blanc : canal gauche L+
Rouge : canal droit R+
Vert : canal droit R-
Bleu : canal gauche L-

Utilisez l'outil d'alignement de cartouche pour calibrer la nouvelle cartouche sur l'ensemble d'un enregistrement (instructions ci-dessous).

Changer le stylet

Le stylet est la partie avant de la cartouche. Un stylet endommagé ou usé peut endommager votre collection de disques et doit être remplacé. Veuillez retirer la protection du stylet avant de retirer le stylet de la cartouche et remplacez-le par un nouveau.

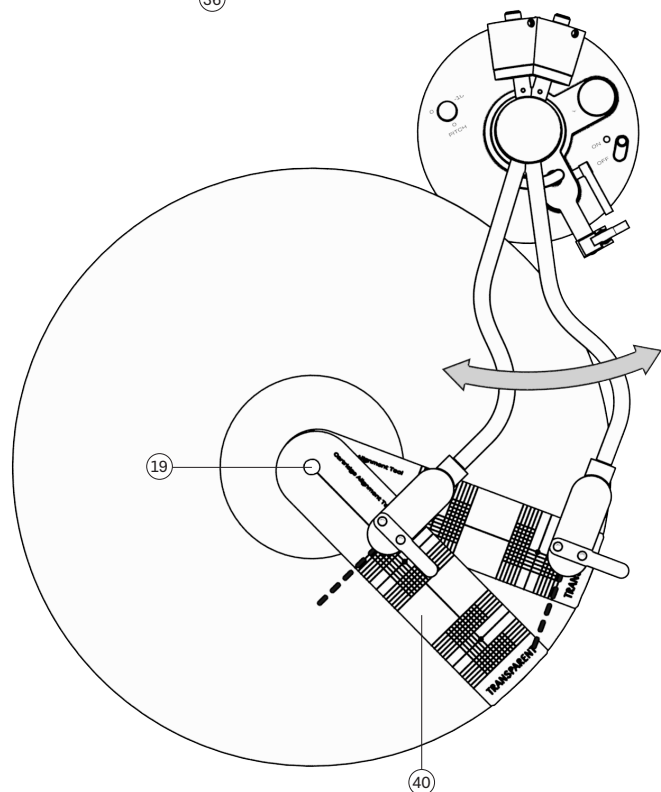
Le type de stylet de remplacement pour la cartouche pré-montée Ortofon OM5E est le « Stylus OM5E ». Si vous changez uniquement le stylet sur l'Ortofon OM5E, il n'est généralement pas nécessaire de réorienter la cartouche ou de réajuster la force de suivi.

Changer le porte-cellule

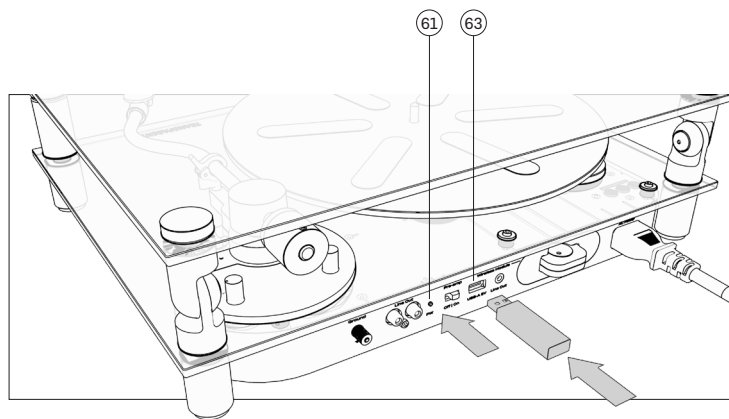
Si vous souhaitez utiliser un autre porte-cellule (34), dévissez simplement le support du porte-cellule (33), puis tirez le porte-cellule vers l'extérieur pour le libérer. Insérez une autre coquille compatible avec le connecteur SME, vissez-la en place avec vos doigts et utilisez l'outil d'alignement de cartouche pour la calibrer sur l'ensemble d'un disque (instructions ci-dessous).

Alignement des cartouches

- Récupérez d'abord votre outil d'alignement de cartouche (40) sur le côté inférieur de la boîte E.
- Pour vous assurer que le plateau tournant ne peut pas bouger pendant la procédure d'alignement, placez de petites cales en carton (ou similaires) sous le bord extérieur du plateau.
- Mettez un disque sur le plateau.
- Déverrouillez le clip du bras de lecture.
- Soulevez le levier de levage du bras de lecture en position haute.



- Dévissez un peu les vis de la cartouche pour pouvoir l'ajuster.
- Déplacez la cartouche vers l'avant ou vers l'arrière dans le porte-cellule pour placer la pointe du stylet au point de surplomb recommandé pour le porte-cellule. S'il n'y a pas de surplomb recommandé, positionnez la cartouche au milieu de la coquille.
- Équilibrez le bras de lecture et appliquez temporairement une force de suivi de 1 gramme.
- Glissez le trou de l'outil d'alignement sur la broche du plateau (19) et placez l'outil d'alignement sur le disque sur la zone où le stylet suit.
- Point d'alignement intérieur (près du centre du disque): abaissez le levier du bras de lecture de manière à ce que la pointe du stylet repose sur le marquage intérieur de la pointe du stylet sur l'outil. Si les côtés du corps de la cartouche ne sont pas parallèles aux lignes de référence sur l'outil, soulevez le levier du bras de lecture et ajustez la position du corps de la cartouche à l'aide des deux vis supérieures, de sorte qu'elle soit parallèle aux lignes de référence sur le rapporteur.
- Point d'alignement externe: répétez cette procédure pour le marquage de la pointe externe du stylet sur l'outil d'alignement.
- Répétez cette procédure sur les deux points jusqu'à ce que le corps de la cartouche soit parallèle aux deux points, ou aussi près que possible du parallèle. Si la cartouche ne peut être rendue parallèle qu'en un seul point, sélectionnez le point intérieur (plus proche du centre du disque).
- Une fois la procédure de réglage terminée, serrez complètement les vis de montage de la cartouche.
- Enfin, réinitialisez la force de suivi correcte du contrepois de votre bras de lecture.



Entretien

Votre tourne-disque nécessite peu ou pas d'entretien régulier. Retirez délicatement la poussière avec le chiffon fourni (42) légèrement humidifié. N'utilisez jamais de chiffon sec car cela créerait de l'électricité statique qui attirerait davantage de poussière.

Des produits de nettoyage antistatiques sont disponibles dans les magasins spécialisés mais doivent être appliqués avec modération pour éviter d'endommager les pièces en caoutchouc. Il est recommandé d'installer le couvercle de la cartouche (37) avant d'effectuer le nettoyage ou l'entretien pour éviter tout dommage.

Si le lecteur n'est pas utilisé pendant une longue période, la courroie en caoutchouc (45) peut être retirée pour éviter un étirement inégal.

Il est recommandé de changer la courroie en caoutchouc tous les 1 à 2 ans pour maintenir une lecture cohérente. Faire bouillir l'ancienne courroie en caoutchouc dans de l'eau chaude peut retrouver sa résistance car elle rétrécit un peu.

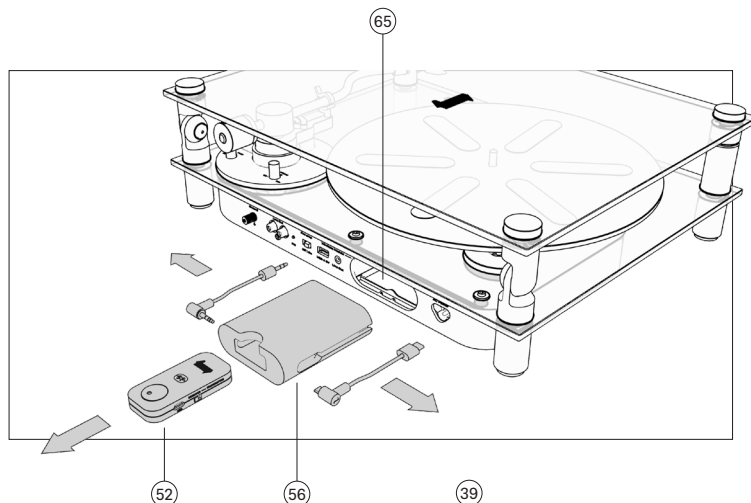
Version du micrologiciel/mise à niveau du micrologiciel

Le micrologiciel (FW) de votre électronique TT peut être mis à jour au fil du temps.

Vous pouvez vérifier votre version FW en cliquant sur le bouton FW (61) au dos. La LED sur la base du bras de lecture signalera alors par un certain nombre de clignotements pour indiquer la version du micrologiciel. La version 01 correspond à un clignotement, la V02 correspond à deux clignotements et ainsi de suite.

Si vous avez été en contact avec l'équipe d'assistance de Transparent et avez reçu un nouveau fichier FW et que vous l'avez sur une clé USB-A :

- Allumez votre platine vinyle et insérez la clé USB dans la prise USB-A (63) à l'arrière.
- Appuyez et maintenez enfoncé le bouton FW. Relâchez le bouton lorsque la LED commence à clignoter (après environ 5 secondes). La nouvelle version FW sera désormais téléchargée sur la platine.
- Important : n'éteignez PAS votre platine vinyle pendant la mise à niveau du micrologiciel car cela pourrait endommager la mémoire interne.
- Une fois que la LED a cessé de clignoter, vous pouvez éjecter votre clé USB et si vous le souhaitez, vérifier la nouvelle version du micrologiciel en un clic.



Mise à niveau du matériel

Transparent™ vit selon une philosophie de conception circulaire. Il s'agit en grande partie d'essayer de préparer nos produits à tout scénario futur, afin que le produit principal ne devienne pas obsolète, mais qu'il puisse être mis à niveau et amélioré au fil du temps, à mesure que la technologie évolue.

Outre la cartouche et la coquille déjà décrites, il est fort probable qu'un nouveau module sans fil soit nécessaire quelques années après la livraison du TT de première génération.

Le compartiment du module sans fil (65) comporte un support en silicone (56) qui maintient le module Bluetooth (52).

Si vous souhaitez passer à un nouveau module sans fil, il est probable que Transparent propose des mises à niveau, visitez notre site Web à l'adresse <https://transpa.rent> et recherchez les mises à niveau. Si vous obtenez une mise à niveau de Transparent, il est probable qu'elle soit livrée avec un nouveau support en silicone et peut-être de nouveaux câbles. Dans ce cas il vous suffit d'éjecter tout le support en silicone et d'insérer le nouveau, en vous assurant que les câbles se branchent correctement lors de cette opération.

Il peut également exister des émetteurs sans fil tiers pouvant être alimentés par USB 5 V et dotés d'une prise d'entrée de ligne. N'hésitez pas à essayer ceci et à utiliser par exemple un coussinet pour fixer le module tiers dans le compartiment, s'il rentre.

Démontage

Votre plateau tournant transparent a une conception entièrement modulaire. Si une pièce nécessite un entretien ou une mise à niveau, cela devrait être possible en utilisant l'outil d'assemblage (39) fixé sur le côté inférieur de la boîte E.

Toutes les vis du TT peuvent être actionnées à chaque extrémité de cet outil.

Avant de commencer tout travail de démontage, assurez-vous de débrancher le câble d'alimentation et les câbles de musique.

Comme décrit dans la section cache-poussière, les charnières et les piliers sont démontés à la main.

Après cela, vous pouvez libérer le reste des composants à l'aide de l'outil d'assemblage.

Remarque importante: nous vous déconseillons d'ouvrir la boîte électronique à moins d'avoir une expérience professionnelle ou sous l'égide de l'équipe d'assistance de Transparent. Vous pourriez risquer d'endommager des composants sensibles ou si le câble d'alimentation est toujours branché, il y a un risque de choc électrique!

Toutes les activités de démontage sont effectuées à vos propres risques et annuleront toute garantie.

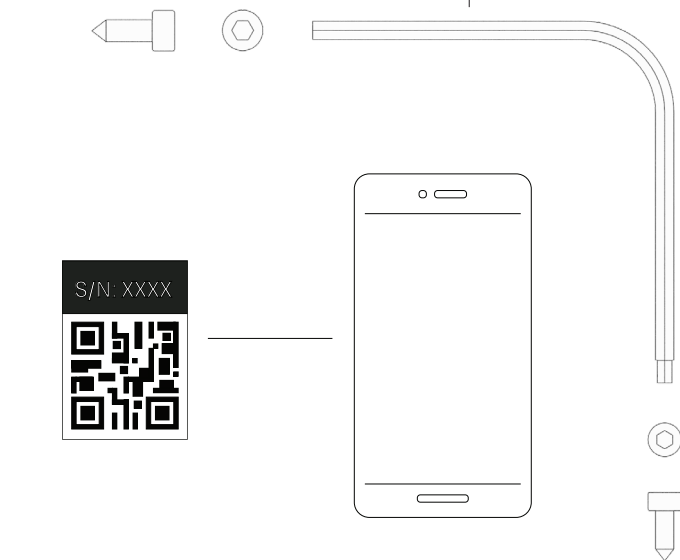
Recyclage

Si nécessaire, le plateau tournant transparent peut être entièrement démonté en matériaux individuels (à l'exception des circuits imprimés qui, au moment de la rédaction de cet article, doivent encore être soudés ensemble).

Si vous vous retrouvez dans une situation où vous devez jeter des pièces obsolètes ou cassées, assurez-vous de les trier et de les recycler dans leur flux de déchets respectif dans votre région. En cas de doute, contactez notre équipe d'assistance sur support@transpa.rent

Garantie

Transparent offre une garantie standard de 2 ans. Veuillez consulter votre revendeur local ou <https://transpa.rent> pour une assistance supplémentaire.



Scanner pour la traçabilité

Scannez votre autocollant de code QR. Votre platine vinyle Transparent possède un numéro de série unique qui vous mènera à plusieurs découvertes spécifiques au produit en ligne. Vous trouverez peut-être un outil interactif sur l'impact du CO2 pour approfondir la traçabilité de votre TT. Vous trouverez peut-être des conseils spécifiques au produit et à la génération concernant les mises à niveau et le service.

Service et assistance

Contactez-nous par e-mail à support@transpa.rent pour toute question que vous pourriez avoir.

Contact

Transparent Sound AB
Döbelnsgatan 47
113 52 Stockholm
Suède
<https://transpa.rent>

Spécifications techniques

Général

Vitesses nominales : 33 1/3 et 45 tr/min
Variation de vitesse : 33 : ±0,70 % 45 : ±0,60 %
"Pleurage et scintillement" : 33 : ±0,25 % 45 : ±0,25 %
Signal sur bruit : ≥ 70 dB à 1 kHz, 0 dB pondéré A
Force de suivi : 1,75 gramme
Masse effective du bras : 13,5 g
Longueur effective du bras de lecture : 220 mm
Surplomb : 19,5 mm
Consommation électrique maximale : 15 W
Dimensions (L x H x P) : 410 x 125 x 320 mm
Poids : 6,5kg
Dimensions emballage (L x H x P) : 580 x 240 x 460 mm
Poids inclus conditionnement : 7,0kg
Tension d'entrée nominale : 100 ~ 240 V CA, à 50/60 Hz.

Préamplificateur phono MM

Amplification : 34dB +/-2dB
Tension de sortie : > 220 mV/1 kHz à une entrée de 5 mV/1 kHz
Impédance d'entrée : 47kOhms/100pF
Précision de la courbe d'égalisation RIAA : 20 Hz-15 kHz / max. 2dB.

Module Bluetooth 5 (préinstallé dans TT Gen 1)

Version Bluetooth : 5.0
Couplage normal ou True Wireless (stéréo)
Port 3,5 mm pour les signaux numériques optiques et analogiques
Port µUSB pour alimentation 5V
Mode double : basculer entre l'émetteur (TX) et le récepteur (RX) - La valeur par défaut dans TT devrait être TX
Puce : Qualcomm CSR8670C
Codecs : aptX LL/SBC/MP3/AAC
Latence : extrêmement faible <40 ms
Contacts plaqués or pour une transmission parfaite du signal
Plusieurs options de configuration et utilisation flexible
I2S multiconfigurable, interface SPDIF
Codec stéréo 16 bits intégré - SNR 95 dB pour DAC
Conversion N/A 16 bits / 96 kHz
Conversion A/D 16 bits / 48 kHz
Plage de température : 5 à +50 °C
Humidité relative admissible : 5 - 90 %
Alimentation en tension : 5 V
Dimensions : 33 x 62 x 12 (l x h x p en mm)
Poids : 0,02kg

Cartouche MM Ortofon OM 5E

Gamme de fréquence : 20-25.000Hz +3 / -3
Tension de sortie à 1000 Hz, 5 cm/s : 4 mV
Balance des canaux à 1 kHz : 2 dB
Séparation des canaux à 1 kHz : 22 dB
Séparation des canaux à 15 kHz : 15 dB
Capacité de suivi à 315 Hz à la force de suivi recommandée (valeur typique) : 60 µm
Compliance, dynamique, latérale : 20 µm/mN
Type de stylet : Elliptique
Rayon de la pointe du stylet : r/R 8/18 µm
Plage de force de suivi : 1,5-2,0 g (15-20 mN)
Force de suivi, recommandée : 1,75 g (17,5 mN)
Angle de suivi : 20°
Impédance interne, résistance DC : 750 Ohm
Inductance interne : 450 mH
Résistance de charge recommandée : 47 kOhm
Capacité de charge recommandée : 200-500 pF
Couleur de la cartouche, corps/stylet : Noir/Noir
Poids de la cartouche inclus, poids supplémentaire : 5 g
Poids de la cartouche hors TVA poids supplémentaire : 2,5 g
Unité de stylet de remplacement : Stylus 5E
L'OM 5E est doté d'un stylet elliptique qui offre une lecture équilibrée et sans distorsion. Les diamants elliptiques sont capables de suivre les oscillations des rainures avec plus de précision que les diamants sphériques en raison de leur forme profilée. Cela se traduit par un meilleur suivi et moins de distorsion.

Matériaux

Verre : Optiwhite trempé
Aluminium : AL6061 - Contenu recyclé estimé à 50 %
Plastiques : ABS V0+UV - Contenu 100 % recyclé
Papiers et Cartons : 100% Certifiés FSC
Sacs de produits : Spunlace
Tampon d'emballage : EPE

Consignes de sécurité importantes

- 1) Lisez ces instructions.
- 2) Conservez ces instructions.
- 3) Soyez attentif à tous les avertissements.
- 4) Suivez toutes les instructions.
- 5) N'utilisez pas cet appareil à proximité de l'eau.
- 6) Nettoyez uniquement avec le chiffon fourni légèrement humidifié.
- 7) Ne bloquez aucune ouverture de ventilation. Installer conformément aux instructions du fabricant.
- 8) Ne pas installer à proximité de sources de chaleur telles que des radiateurs, des bouches de chaleur, des poêles ou d'autres appareils (y compris des amplificateurs) produisant de la chaleur.
- 9) Ne contrecarrez pas l'objectif de sécurité de la fiche polarisée ou de type mise à la terre. Une fiche polarisée comporte deux lames, l'une plus large que l'autre. Une fiche de type mise à la terre comporte deux lames et une troisième broche de mise à la terre. La lame large ou la troisième broche sont fournies pour votre sécurité. Si la fiche fournie ne rentre pas dans votre prise, consultez un électricien pour le remplacement de la prise obsolète.
- 10) Protégez le cordon d'alimentation contre tout piétinement ou pincement, en particulier au niveau des fiches, des prises de courant et du point de sortie de l'appareil.
- 11) Utilisez uniquement les accessoires spécifiés par le fabricant.

- 12) Débranchez cet appareil pendant des orages ou lorsqu'il n'est pas utilisé pendant de longues périodes.
- 13) Confiez tout entretien à un personnel de service qualifié. Une réparation est requise lorsque l'appareil a été endommagé de quelque manière que ce soit, par exemple lorsque le cordon d'alimentation ou la fiche est endommagé, du liquide a été renversé ou des objets sont tombés dans l'appareil, l'appareil a été exposé à la pluie ou à l'humidité, ne fonctionne pas normalement, ou a été abandonné.
- 14) Pour déconnecter complètement cet appareil du secteur CA, débranchez la fiche du cordon d'alimentation de la prise CA.
- 15) La fiche secteur du cordon d'alimentation doit rester facilement utilisable. Seule une prise britannique à 3 broches sera utilisée à Singapour.

Avertissement

Pour réduire le risque d'incendie ou de choc électrique, n'exposez pas cet appareil à la pluie ou à l'humidité.

Prudence

Les changements ou modifications non approuvés par Transparent Sound AB pourraient annuler le droit de l'utilisateur à utiliser l'équipement.

Symboles

Attention : Pour éviter tout risque de choc électrique, ne retirez pas le couvercle (ni le dos). Aucune pièce réparable par l'utilisateur à l'intérieur. Confiez l'entretien à un personnel de service qualifié.

Cet appareil ne peut pas être traité avec les ordures ménagères ordinaires. La gestion des DEEE (déchets d'équipements électriques et électroniques) est applicable dans les États membres de l'Union européenne et dans les autres pays européens avec politiques nationales individuelles sur la gestion des DEEE. Si vous avez besoin de plus d'informations sur les systèmes de collecte, de réutilisation et de recyclage, veuillez contacter votre administration des déchets locale ou régionale.

Le produit est conforme aux directives européennes suivantes :

- Exigences d'écoconception pour la directive sur les produits liés à l'énergie (CE) 278/2009.
 - Directive sur les équipements radio (RED) 2014/53/UE
 - La Directive Basse Tension (LVD) 2014/35/UE
 - Norme de sécurité pour les équipements ITE et AV. Conforme à la norme UL62368-1 pour l'Amérique du Nord et certifié Canada IEC62368-1.
- Le produit est conforme à RoHS (Directive de restriction des substances dangereuses) 2011/65/UE et 2015/863/UE (RoHS 3)

Exigences en matière d'interférences radio - FCC

Cet appareil est conforme à la partie 15 des règles FCC.

L'exploitation est soumise aux deux conditions suivantes :

(1) Cet appareil ne doit pas provoquer d'interférences nuisibles, et

(2) Cet appareil doit accepter toute interférence reçue, y compris les interférences susceptibles de provoquer un fonctionnement indésirable.

REMARQUE Ce produit a été testé et déclaré conforme aux limites d'un appareil numérique de classe B, conformément à la partie 15 des règles FCC. Ces limites sont conçues pour fournir une protection raisonnable contre les interférences nuisibles dans une installation résidentielle. Ce produit génère, utilise et peut émettre de la radio l'énergie de fréquence et, s'il n'est pas installé et utilisé conformément aux instructions, peut provoquer des interférences nuisibles aux communications radio. Cependant, rien ne garantit que des interférences ne se produiront pas dans une installation particulière. Si ce produit provoque des interférences nuisibles à la réception radio ou télévision, ce qui peut être déterminé en éteignant l'équipement et ainsi de suite, l'utilisateur est encouragé à tenter de corriger l'interférence par une ou plusieurs des mesures suivantes :

—Réorientez ou déplacez l'antenne de réception.

—Augmentez la séparation entre l'équipement et le récepteur.

—Branchez l'équipement sur une prise sur un circuit différent de celui auquel le récepteur est connecté.

—Consultez le revendeur ou un technicien radio/TV expérimenté pour obtenir de l'aide.

Veuillez faire attention au fait que les changements ou modifications non expressément approuvés par la partie responsable de la conformité pourraient annuler le droit de l'utilisateur à utiliser l'équipement.

Conformément aux réglementations d'Industrie Canada, cet émetteur radio ne peut fonctionner qu'en utilisant une antenne d'un type et d'un gain maximum (ou inférieur) approuvés pour le

émetteur par Industrie Canada. Pour réduire les interférences radio potentielles avec d'autres utilisateurs, le type d'antenne et son gain doivent être choisis de manière à ce que l'équivalent

la puissance isotrope rayonnée (p.i.r.e.) n'est pas supérieure à celle nécessaire au succès d'une communication.

Le produit est conforme à l'approbation de sécurité et d'EMC (Compatibilité Electro Magnétique) pour les produits électriques vendus sur le marché japonais. La loi applicable est la loi DENAN (Loi sur la sécurité des appareils électriques et des matériaux) du Japon.

Commission coréenne de communication : signifie la conformité aux exigences coréennes en matière de sécurité des produits pour les équipements électriques et électroniques et est délivrée par un organisme de certification basé en Corée et approuvé par la Korea Standards Association.

Le marquage UK Conformity Assessed (UKCA) est une marque de conformité qui indique la conformité aux exigences applicables pour les produits vendus en Grande-Bretagne (Angleterre, Écosse et Pays de Galles).

Le marquage UKNI est un marquage de conformité pour les produits mis sur le marché en Irlande du Nord qui ont fait l'objet d'une évaluation de conformité obligatoire par un organisme notifié.

CEI 60417 : Pour identifier les équipements électriques conçus principalement pour une utilisation en intérieur.

Ce produit est conforme :

ETLus : UL62368-1

SDOC FCC : FCC PART15B

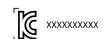
IC : ICES-003

CE-LVD : EN62368-1

CE-EMC : EN55032 + EN55035 + IEC EN61000-3-2 + IEC EN61000-3-3

UKCA : BS EN62368-1+BS EN55032/35 +BS EN61000-3-2/3

PSE : J62368



Der Transparent Turntable ist ein hochwertiger Schallplattenspieler. Es besteht aus einem Sockel und einer Staubschutzhülle aus gehärtetem Glas, wobei die meisten Strukturteile aus Aluminium gefertigt sind. Diese robusten Materialien bieten eine starre Struktur, um eine zuverlässige Wiedergabe über einen langen Zeitraum hinweg zu gewährleisten.

Das riemengetriebene Motorsystem ist eine zuverlässige Methode, um eine konsistente Wiedergabe über einen langen Zeitraum sicherzustellen, und es gibt präzise Geschwindigkeits- und Spursteuern zur Feinabstimmung der Wiedergabe.

Wir haben unseren eigenen Tonarm mit einem maßgeschneiderten Tonkopf entwickelt, der jeden Tonabnehmer für Magnetsysteme mit Standard-Befestigungslöchern aufnehmen kann. Auch der Tonkopf selbst ist durch den Standard-SME-Anschluss modular.

Der Tonarm wird über einen speziellen Aluminium-Tonarmgriff, einen Hebehebel und einen Clip bedient.

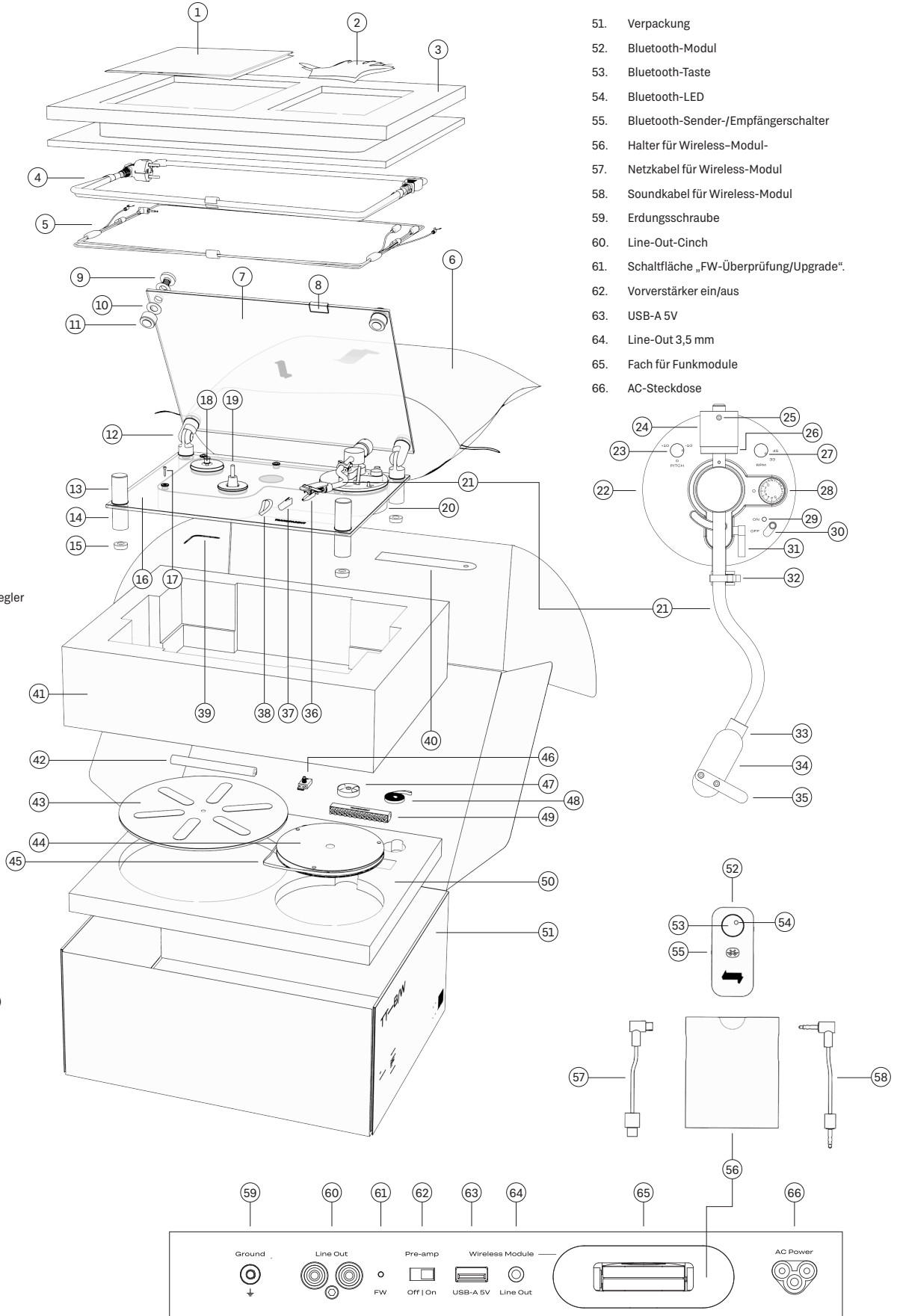
Der Transparent Turntable verfügt über einen eingebauten Vorverstärker. Das bedeutet, dass es direkt über jeden modernen (aktiven) Lautsprecher abgespielt werden kann, ohne dass separate Geräte erforderlich sind. Wenn Sie externe Verstärker verwenden möchten, gibt es natürlich auch einen Ein-/Aus-Schalter für den Vorverstärker. Anschlusskabel liegen dem TT selbstverständlich bei, aber um eine zeitlose Funktionalität des Plattenspielers zu gewährleisten, haben wir auch ein Fach für Funkmodule entwickelt. Der TT der ersten Generation wird mit unserem vorinstallierten Bluetooth™-Modul geliefert, sodass Sie Ihre Schallplatten auf Wunsch kabellos abspielen können. Das Modul ist darauf ausgelegt, auch zukünftige technische Anforderungen durch Upgrades zu erfüllen.

Das vollständig modulare Design, die hochwertige Verarbeitung und die Aufrüstbarkeit dieses Produkts sind Teil der zirkulären Designphilosophie von Transparent. Es geht nicht nur darum, woher alle Rohstoffe kommen, sondern auch um einen Plan, damit das Produkt auch in Zukunft relevant bleibt.

Teile

1. Benutzerhandbuch
2. Handschuhe
3. Oberer Puffer
4. Stromkabel
5. Musikkabel (RCA)
6. Produkttasche
7. Staubschutzhülle
8. Fingergriff
9. Säulenschraube x4
10. Unterlegscheiben x16
11. Obere Säulen x2
12. Scharniersäulen x2
13. Vordere Säulen x2
14. Untere Säulen x4
15. Gummifüße x4
16. Sockel
17. Schrauben
18. Motorriemenscheibe
19. Spindel
20. E-Box
21. Tonarm
22. Tonarm-Grundplatte
23. Präzisionsgeschwindigkeits-/Pitch-Regler
24. Tonarm-Gegengewicht
25. Stellschraube für Gegengewicht
26. Gegengewichtsskala
27. Drehzahl-/RPM-Einstellknopf
28. Anti-Skating-Knopf
29. LED
30. Ein / Aus Schalter
31. Hebel zum Heben des Tonarms
32. Tonarmclip
33. Tonkopf-Halterung
34. Tonkopf
35. Tonarmgriff
36. Patrone
37. Patronenabdeckung
38. Gummiband
39. Montagewerkzeug (Inbusschlüssel/Sechskantschlüssel)
40. Kartuschenausrichtungswerkzeug
41. Mittlerer Puffer
42. Tuch
43. Teller
44. Unterplatte
45. Gummiriemen
46. USB-Erdungsadapter
47. 45 U/min-Adapter
48. Zusätzlicher Gummigürtel
49. Schallplatten-Bürste
50. Unterer Puffer

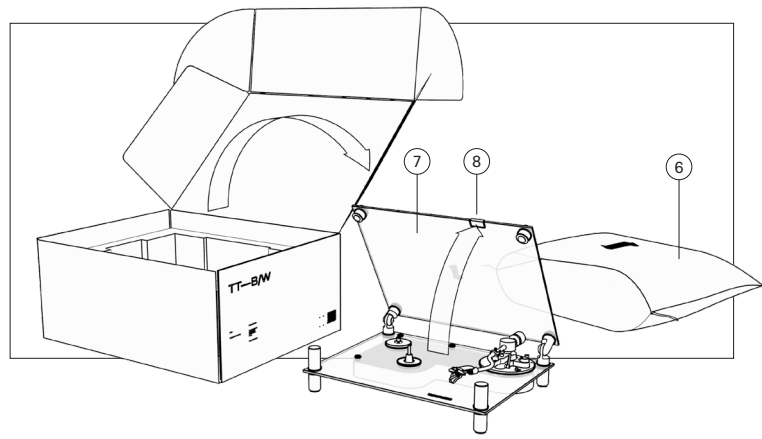
51. Verpackung
52. Bluetooth-Modul
53. Bluetooth-Taste
54. Bluetooth-LED
55. Bluetooth-Sender-/Empfängerschalter
56. Halter für Wireless-Modul
57. Netzkabel für Wireless-Modul
58. Soundkabel für Wireless-Modul
59. Erdungsschraube
60. Line-Out-Cinch
61. Schaltfläche „FW-Überprüfung/Upgrade“
62. Vorverstärker ein/aus
63. USB-A 5V
64. Line-Out 3,5 mm
65. Fach für Funkmodule
66. AC-Steckdose



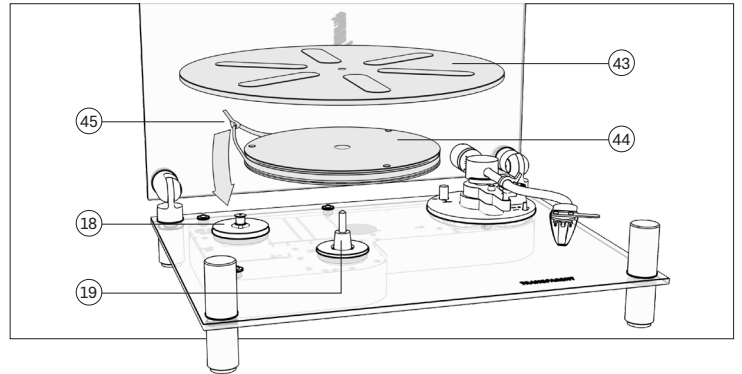
Benutzerhandbuch

Setup-Anleitung

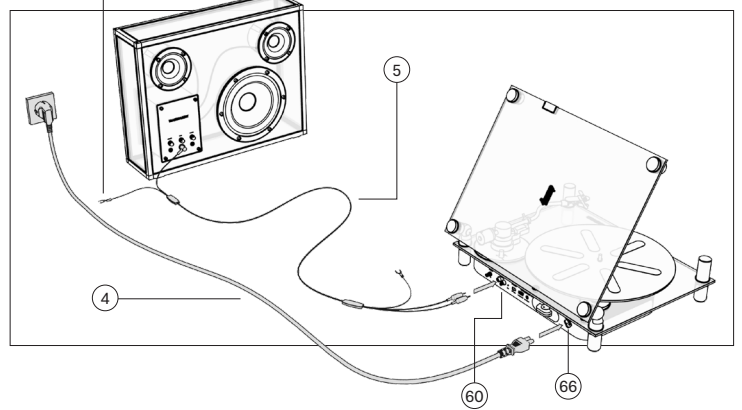
- Packen Sie Ihren Plattenspieler in der Nähe des Lautsprechers aus, den Sie damit verwenden möchten. Stellen Sie sicher, dass Sie über genügend ebene Fläche zum Aufstellen Ihres Plattenspielers und eine Steckdose in der Nähe verfügen.
- Öffnen Sie die Box.
- Ziehen Sie die Handschuhe an (2). Nehmen Sie den gesamten Oberpuffer (3) heraus und legen Sie ihn vorerst weg.
- Heben Sie Ihren Plattenspieler aus der Verpackung.
- Öffnen Sie den Produktbeutel (6) und ziehen Sie die Öffnung vorsichtig über die vorderen Säulen und dann nach hinten, um den vollständigen Drehteller freizulegen. Öffnen Sie den Staubschutz (7) am Fingergriff (8).
- Nehmen Sie den Unterteller (44) aus der Verpackung.



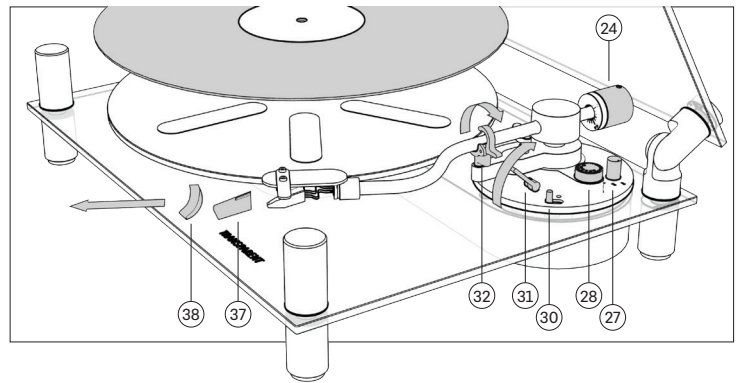
- Legen Sie den Unterteller mit den drei Gummipunkten nach oben auf die Spindel (19).
- Drücken Sie die Papierfahne, die den Gummiriemen (45) auf der Seite des Untertellers hält, zusammen und ziehen Sie sie über die Motorriemenscheibe (18). Entfernen Sie dann die Papierfahne.
- Legen Sie die Hauptplatte (43) mit den sechs Gummistreifen nach oben darauf.
- Schließen Sie das Netzkabel (4) zunächst an die Wechselstromsteckdose (66) auf der Rückseite des Plattenspielers an. Schließen Sie die andere Seite an eine Steckdose an.



- Verbinden Sie den Ministecker des Musikkabels (5) mit dem „Line-In“ Ihres Lautsprechers oder Verstärkers und stecken Sie die RCA-Seite des Kabels in die RCA-Line-Out-Buchse (60) auf der Rückseite des Plattenspielers. Stellen Sie sicher, dass Sie den weißen Stecker in den weißen Stecker und den roten Stecker in den roten Stecker stecken.
- Anweisungen zum Y-förmigen Erdungskabel am Tonkabel (erforderlich für kleine Transparent Lautsprecher) finden Sie auf Seite 22.
- Informationen zur Wiedergabe auf zwei Lautsprechern finden Sie auf Seite 22.
- Informationen zur Wiedergabe über Bluetooth finden Sie auf Seite 22.
- Stellen Sie sicher, dass Ihr Lautsprecher eingeschaltet ist und die Lautstärke mindestens 50 % beträgt.
- Stellen Sie sicher, dass der Vorverstärkerschalter (62) auf der Rückseite des Plattenspielers auf „Ein“ steht. Zur Verwendung mit externen Verstärkern schalten Sie den Vorverstärkerschalter in die Aus-Position.
- Platzieren Sie nun den Plattenteller an der gewünschten Stelle. Wir empfehlen, beim Anheben und Bewegen des Plattenspielers stets Handschuhe zu tragen und die Staubschutzhülle geschlossen zu haben.
- Sollte der Untergrund unter Ihrem Plattenspieler uneben sein, haben Sie die Möglichkeit, die Nivellierung der GummifüÙe (15) mit einem normalen Schlitzschraubendreher anzupassen.
- Das Tonarm-Gegengewicht (24) ist vorkalibriert, sodass keine Gewichtseinstellung erforderlich ist. Anweisungen zur Kalibrierung der Auflagekraft finden Sie auf Seite 23.

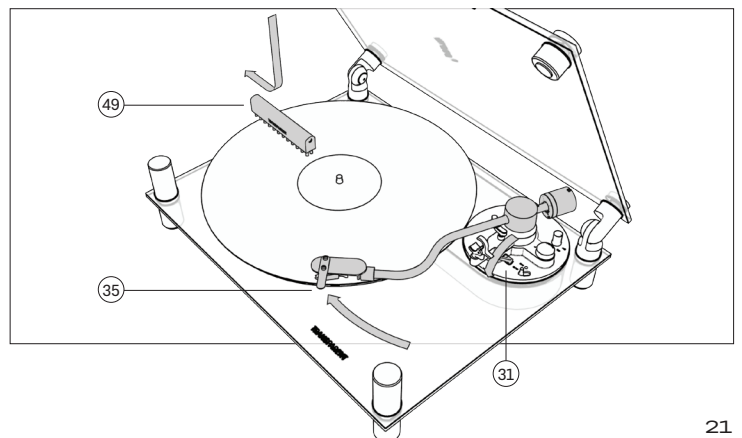


- Entfernen Sie das Gummiband (38), das die Patronenabdeckung (37) während des Transports an Ort und Stelle hält. Entfernen Sie auch die Patronenabdeckung.
- Legen Sie Ihre Lieblingsschallplatte auf den Plattenteller.
- Bringen Sie den Ein-/Ausschalter (30) in die Ein-Position.
- Überprüfen Sie noch einmal, ob sich der Drehzahl-Einstellknopf (27) in der Position 33 U/min befindet (dies ist die gebräuchlichste Aufnahmegeschwindigkeit). Informationen zum Abspielen von Singles mit 45 U/min finden Sie auf Seite 22.
- Überprüfen Sie noch einmal, ob sich der Anti-Skating-Knopf (28) in Position 2 befindet. Informationen zu Anti-Skating-Einstellungen finden Sie auf Seite 23.
- Entriegeln Sie den Tonarmclip (32).
- Heben Sie den Tonarm an, indem Sie den Tonarmhebel (31) anheben.
- Bewegen Sie den Tonarm, indem Sie den Tonarmgriff (35) zusammendrücken, und positionieren Sie die Tonabnehmernadel über der Kante am Anfang der Schallplatte. Mittlerweile sollte die



Platte angefangen haben, sich zu drehen.

- Wenn sich Staub oder Partikel auf Ihrer Schallplatte befinden, nehmen Sie sich die Zeit, die Schallplatte mit der Schallplattenbürste (49) zu reinigen. Während sich die Schallplatte dreht und der Tonarm in der oberen Position ist, senken Sie die Bürste auf die linke Seite der Schallplatte ab, sodass alle Spuren der Schallplatte gleichzeitig gereinigt werden. Sie müssen die Bürste nicht hin und her bewegen. Lassen Sie sie einfach den Schmutz aufnehmen, während sich die Schallplatte dreht, und entfernen Sie sie dann von der Schallplatte.
- Senken Sie den Tonarm ab, indem Sie den Tonarmhebel (31) absenken.
- Sie sollten jetzt Musik hören. Passen Sie die Geschwindigkeit bei Bedarf mit dem Pitch-Regler (23) fein an. Passen Sie die Lautstärke an Ihrem Lautsprecher an und genießen Sie den Moment.
- Nachdem die Aufnahme beendet ist, stoppt der Motor. Wenn Sie mit dem Spielen fertig sind, heben Sie zunächst den Tonarmhebel an. Fassen Sie den Tonarmgriff und bewegen Sie den Tonarm in seine Ruheposition zurück. Senken Sie den Tonarmhebel. Verriegeln Sie den Tonarmclip. Schließen Sie die Staubschutzhülle am Fingergriff.



Staubschutzhaube

Benutzen Sie beim Öffnen und Schließen des Staubschutzes immer den Fingergriff (8), um ein Verschmieren des Glases zu vermeiden.

Beim Abspielen einer Schallplatte oder bei Nichtgebrauch sollte die Abdeckung zum Schutz vor Staub heruntergeklappt sein.

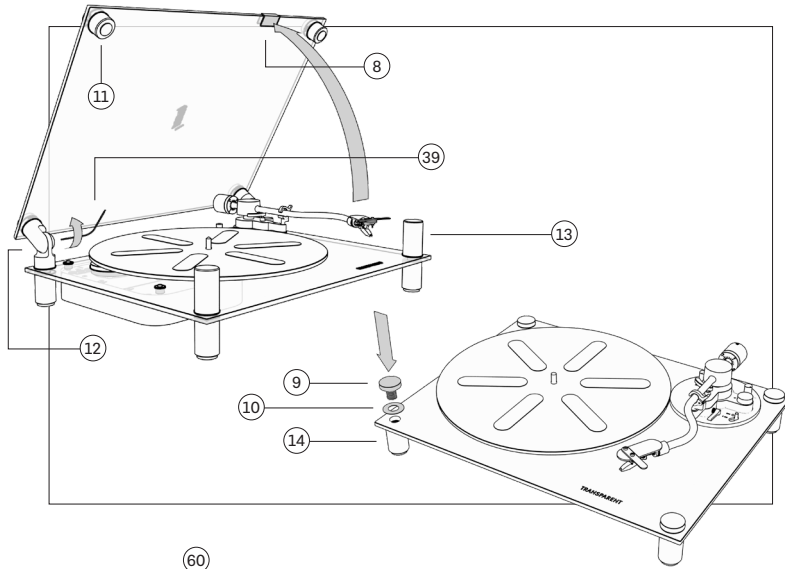
Wenn Sie feststellen, dass die Scharniere zu schwergängig oder mit der Zeit möglicherweise zu leichtgängig sind, verwenden Sie das an der Unterseite der E-Box angebrachte Montagewerkzeug (39) und ziehen Sie die Scharnierschrauben fest, um die gewünschte Gängigkeit zu erhalten. Denken Sie daran, alle Platten zu entfernen und Handschuhe zu tragen, wenn Sie Ihren Plattenspieler auf den Kopf stellen.

Wenn Sie Ihren Plattenspieler aus irgendeinem Grund lieber ohne Staubschutzhülle verwenden möchten, können Sie ohne Werkzeug entfernen:

- Lösen Sie die vier Säulenschrauben (9) an der Oberseite, entfernen Sie die Staubschutzhülle und die beiden oberen Säulen (11).
- Schrauben Sie die beiden vorderen Säulen (13) und die beiden Scharniersäulen (12) ab und verstauen Sie sie.
- Befestigen Sie die vier Säulenschrauben, dieses Mal durch den Sockel und hinunter in die unteren Säulen (14). Stellen Sie sicher, dass zum Schutz des Glases jeweils eine Unterlegscheibe (10) vorhanden ist.

Wenn Sie feststellen, dass Ihre Vorder- und Obersäulen nicht perfekt ausgerichtet sind:

- Lösen Sie die beiden Schrauben der oberen Säule, positionieren Sie die obere Säule so, dass sie mit den beiden vorderen Säulen übereinstimmt, und ziehen Sie sie dann wieder fest. Wiederholen Sie diesen Vorgang bei Bedarf an den vorderen Säulen.



Geschwindigkeitseinstellungen

Die meisten Schallplatten verwenden eine Geschwindigkeit von 33 1/4 U/min, daher ist dies die Standardgeschwindigkeitseinstellung.

Einige Schallplatten, häufig kleinere Schallplatten oder Singles, verwenden eine Geschwindigkeit von 45 U/min. Diese Schallplatten haben oft ein größeres Loch für die Spindel, dafür sollten Sie beim Platzieren Ihrer Schallplatte den mitgelieferten 45-RPM-Adapter (47) verwenden und den Geschwindigkeits-RPM-Einstellknopf (27) auf 45 stellen.

Wenn Sie das Gefühl haben, dass Ihre Musikwiedergabegeschwindigkeit einer weiteren Feinabstimmung bedarf, können Sie den Präzisionsgeschwindigkeits-/Pitch-Regler (23) verwenden.

Wiedergabe mit dem kleinen Transparent Lautsprecher (STS) über Kabel/ Bodengeräusche vermeiden

Plattenspieler-Tonabnehmer sind empfindliche Geräte und können in verschiedenen Situationen verschiedene Arten unerwünschter Geräusche aufnehmen. Dies kann von der Erdung oder Abschirmung der internen elektronischen Komponenten verschiedener Lautsprecher abhängen. Die Line-In-Buchse an der Unterseite des kleinen Transparent Lautsprechers führt beim Abspielen über einen Plattenspieler manchmal zu unerwünschten Grundgeräuschen. Wir haben eine Methode entwickelt, um damit umzugehen.

Das RCA-Kabel (5) verfügt über einen kleinen Erdungsdraht mit einer kleinen „Y-förmigen“ Erdungsgabel an beiden Enden. Diese Gabel ist zur beidseitigen Befestigung an einer Erdungsschraube (59) vorgesehen.

Stecken Sie zuerst das RCA-Kabel in den RCA-Line-Ausgang (60) des Plattenspielers, drehen Sie den STS auf die Seite, um die Anschlüsse nach oben freizulegen, und stecken Sie den Miniklinkenstecker in den STS-Line-In.

Auf der Plattenspielerseite befindet sich die Erdungsschraube auf der linken Seite des Cinch-Ausgangs. Benutzen Sie Ihre Finger und schrauben Sie die Gabel an der Erdungsschraube fest. Stecken Sie auf der Lautsprecherseite den USB-Masseadapter (46) in die USB-Buchse und schrauben Sie die Gabel an der Erdungsschraube fest.

Jetzt können Sie den normalen Schritten folgen, um mit der Wiedergabe einer Schallplatte zu beginnen.

Notiz! Wenn Sie über die vordere Line-In-Buchse des STS oder über einen großen Transparent Lautsprecher spielen, sollte die Verwendung der Erdungskabelgabel oder des USB-Erdungsadapters nicht erforderlich sein.

Wiedergabe über zwei Lautsprecher über Kabel

Bei allen Transparent Lautsprechern ist ein Soundkabel im Lieferumfang enthalten. Dies kann von der 3,5-mm-Line-Out-Buchse (64) am Plattenspieler bis zur 3,5-mm-Line-In-Buchse auf der Rückseite, Rückseite oder Vorderseite Ihres Transparent-Lautsprechers (je nach Modell) verwendet werden. Für die gleichzeitige Wiedergabe kann dann der zweite Lautsprecher über das Cinch-Kabel angeschlossen werden.

Wenn es sich bei einem der Lautsprecher um einen kleinen transparenten Lautsprecher handelt, lesen Sie bitte die Anweisungen zur Verwendung des USB-Erdungsadapters (46) weiter oben.

Wenn Sie über zwei kleine transparente Lautsprecher spielen, empfehlen wir die Verwendung des RCA-Kabels (5) mit Erdungskabel an den unteren Line-In und das im Lieferumfang von STS enthaltene Musik kabel an den vorderen Line-In Ihres zweiten Lautsprechers.

Informationen zur Auswahl des linken/rechten Kanals an Ihrem Transparent Lautsprecher finden Sie in den jeweiligen Benutzerhandbüchern.

Bitte beachten: Wenn Sie über ein Paar herkömmlicher Lautsprecher abspielen möchten, empfehlen wir die Verwendung des RCA-Kabels vom RCA-Line-Out (60) des Plattenspielers zum Line-In Ihres vorhandenen Verstärkers, an den bereits Ihre (passiven) Lautsprecher angeschlossen sind. Erwägen Sie in diesem Szenario, den Vorverstärkerschalter (62) auf der Rückseite Ihres TT auszuschalten.

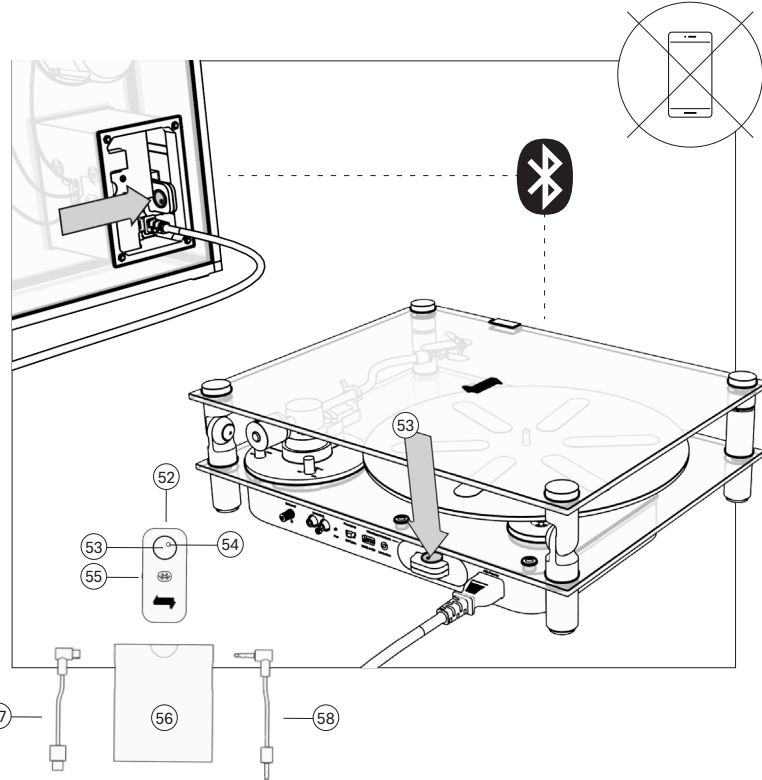
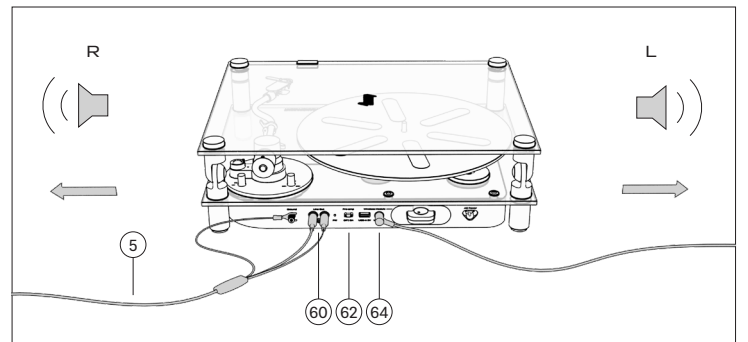
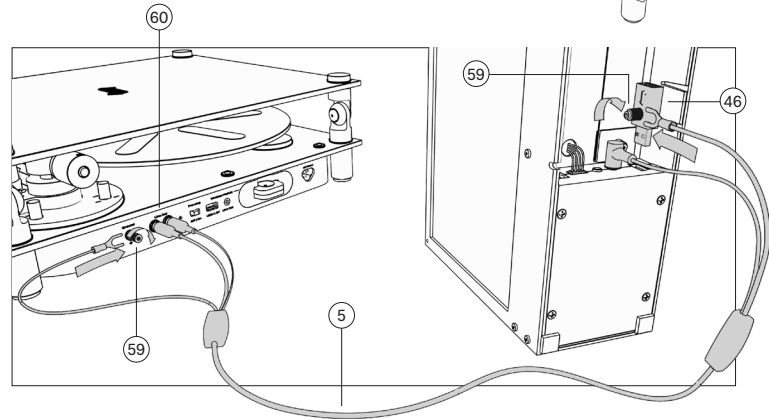
Wiedergabe über einen Lautsprecher über Bluetooth

Der Transparent Plattenspieler sollte mit den meisten Bluetooth-Lautsprechern und -Kopfhörern auf dem Markt kompatibel sein, wir können jedoch nicht die Kompatibilität mit allen Protokollen aller Zeiten garantieren. Die folgenden Anweisungen konzentrieren sich auf die Kopplung mit transparenten Lautsprechern. Bitte beachten: Ihr Smartphone ist nicht erforderlich, um einen Lautsprecher mit dem Plattenspieler zu koppeln.

- Stellen Sie sicher, dass sowohl Ihr Plattenspieler als auch Ihr Lautsprecher eingeschaltet sind.
- Drücken Sie die Bluetooth-Taste an Ihrem Transparent Lautsprecher (oder einem anderen Bluetooth-fähigen Lautsprecher).
- Drücken Sie die Bluetooth-Taste (53) an Ihrem transparenten Plattenspieler. Beachten Sie, dass die Bluetooth-LED (54) im Pairing-Modus schneller zu blinken beginnt und wieder langsamer blinkt, wenn die Verbindung hergestellt wurde. Außerdem sollten Sie im Lautsprecher einen Töneffekt hören, der die Verbindung bestätigt.

Fehlerbehebung:

- Stellen Sie sicher, dass Lautsprecher und Plattenspieler nahe genug beieinander stehen. Unter bestimmten Bedingungen dürfen diese nicht mehr als ein paar Meter voneinander entfernt stehen.
- Löschen Sie den Transparent-Lautsprecher aus den Bluetooth-Einstellungen aller zuvor gekoppelten Smartphones, Tablets, Computer, Fernseher usw. Dadurch soll vermieden werden, dass die Lautsprecher während des Kopplungsvorgangs eine Verbindung zu anderen Geräten als dem Plattenspieler herstellen.
- Zurücksetzen auf die Werkseinstellungen durch langes Drücken der Bluetooth-Taste an Ihrem Lautsprecher und Plattenspieler (normalerweise +6 oder +10 Sekunden), bis die Bluetooth-LED schnell blinkt.
- Stellen Sie sicher, dass das Bluetooth-Modul auf der Lautsprecherseite auf „Receiver“ (N/A bei STS) und das Bluetooth-Modul auf der Plattenspielerseite auf „Transmitter“ (55) eingestellt ist.
- Stellen Sie sicher, dass das Bluetooth-Modul des Plattenspielers tatsächlich eingeschaltet ist. Auf der Taste sollte ein rotes Licht langsam blinken. Andernfalls drehen Sie den Plattenspieler (nachdem Sie alle Schallplatten und beide Platten entfernt haben und tragen Sie Handschuhe an) vorsichtig auf den Kopf und untersuchen Sie das Fach für das Funkmodul (65), sodass beide

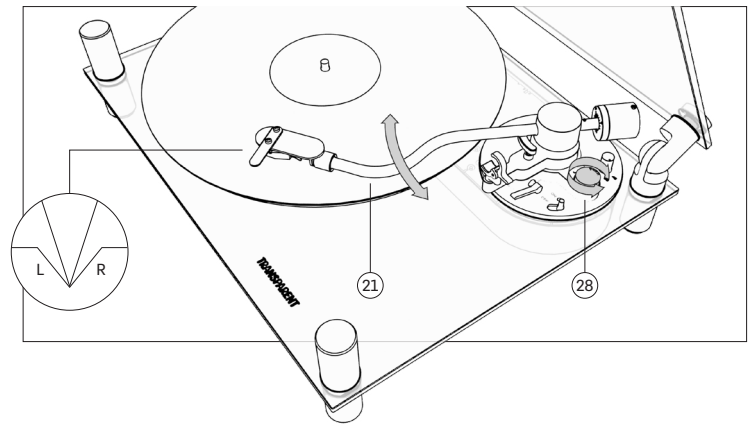


Kabel (57, 58) im Inneren des Fachs ausreichend mit dem Plattenspieler und Bluetooth verbunden sind Modul.

Wiedergabe auf zwei Lautsprechern über Bluetooth

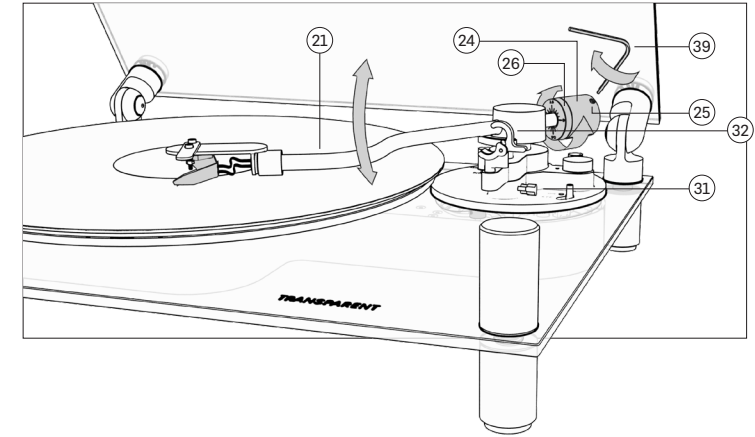
Der transparente Plattenspieler sollte mit den meisten Bluetooth-Lautsprechern und -Kopfhörern auf dem Markt kompatibel sein, wir können jedoch nicht die Kompatibilität von True Wireless Pairing mit allen Protokollen aller Zeiten garantieren. Die folgenden Anweisungen konzentrieren sich auf die Kopplung mit transparenten Lautsprechern.

- Wenn Sie einen der Lautsprecher bereits mit Smartphones, Tablets, Laptops, Fernsehern usw. gekoppelt haben, navigieren Sie zum Bluetooth-Menü und wählen Sie „Gerät vergessen“. Drücken Sie dann lange die FW-Reset-Taste auf der Bluetooth-Taste des Lautsprechers.
- Platzieren Sie Ihre Lautsprecher und Ihren Plattenspieler im selben Raum, nicht weiter als 5 m voneinander entfernt, am besten sogar näher.
- Stellen Sie sicher, dass beide Lautsprecher und der Plattenspieler eingeschaltet sind.
- Drücken Sie lange auf die Bluetooth-Taste am ersten Lautsprecher und lassen Sie sie los, während die rote LED leuchtet, und hören Sie den Befehl „True Wireless Pairing Mode“. Machen Sie dann dasselbe mit dem zweiten Lautsprecher.
- Tipp: Öffnen Sie die Bluetooth-Einstellungen Ihres Smartphones und warten Sie, bis beide Lautsprecher in der Liste der neuen Bluetooth-Geräte angezeigt werden (wählen Sie sie jedoch nicht auf dem Bildschirm aus).
- Drücken Sie nun die Pairing-Taste am Drehteller (53).
- Jetzt sollte die Verbindung hergestellt sein.
- Wenn Sie zwei kleine Transparent Lautsprecher oder Lichtlautsprecher oder eine Kombination davon verwenden, sollten diese automatisch in den Kanalmodus „Linker“ bzw. „Rechter“ wechseln. Andernfalls kann die Einstellung durch langes Drücken vorgenommen werden (siehe Anleitung an der Unterseite des Lautsprechers). Beim großen transparenten Lautsprecher nehmen Sie diese Auswahl manuell über einen Schalter auf der Rückseite vor.



Anti-skating

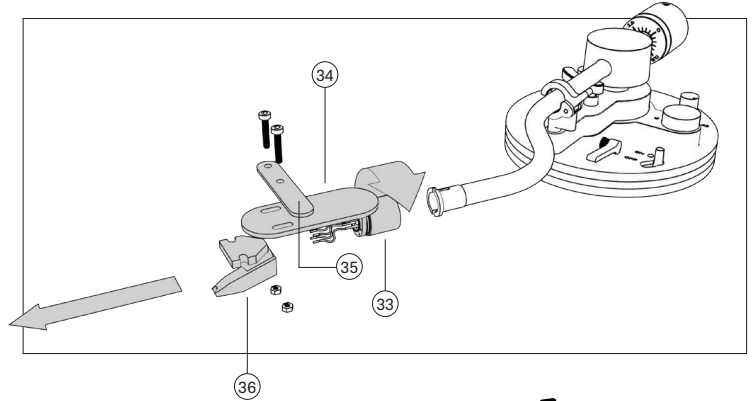
Die kleine „Nadel“ oder „Stylus“ an der Spitze des Tonarms (21) nimmt die Musikschwingungen aus einer V-förmigen Rille auf der Schallplatte auf. Die innere oder „linke“ Seite des V enthält alle Schallwelleninformationen des linken Kanals der Musikaufnahme und umgekehrt auf der äußeren oder „rechten“ Seite dieser Rille. Der Tonarm möchte natürlich näher an die Mitte der Schallplatte heranrücken, aber wenn er zu stark nach innen zieht oder „rutscht“, drückt er zu stark auf die linke Kanalseite, was wiederum zu Verzerrungen des rechten Kanals in der Musik führt. Wenn Sie dies bemerken, können Sie dafür sorgen, dass der Stift weniger nach innen „rutscht“, indem Sie die Anti-Skating-Kraft am Anti-Skating-Knopf (28) erhöhen. Und umgekehrt: Wenn Sie in der Musik Verzerrungen des linken Kanals hören, sollten Sie die Anti-Skating-Kraft verringern. Ziel ist es, den Stift in der Mitte der V-förmigen Rille bewegen zu lassen. Die Standard-Antiskating-Einstellung Ihres TT sollte 2 sein.



Vertikale Auflagekraft/Tonarm-Gegengewichtskalibrierung

Ihr TT sollte mit einem vorkalibrierten Tonarm-Gegengewicht (24) geliefert werden. Befolgen Sie bei Bedarf jedoch bitte die folgenden Schritte.

- Öffnen Sie den Staubschutz und lösen Sie mit dem Montagewerkzeug (39) die Stellschraube des Gegengewichts (25).
- Lösen Sie den Tonarmclip (32), aber halten Sie den Tonarmhebel (31) in der unteren Position.
- Fassen Sie das Gegengewicht mit Ihren Fingern und schrauben Sie es nach außen, bis sich der Tonarm aus seiner Ruheposition anhebt.
- Drehen Sie den Tonarm nach innen über die Schallplatte. Schrauben Sie nun das Gegengewicht vorsichtig wieder ein, bis Sie einen perfekt ausbalancierten Tonarm sehen. Es muss nicht völlig eben sein, aber es sollte in der Luft schweben, ohne sich nach oben oder unten zu bewegen. Nehmen Sie sich etwas Zeit und wenn Sie eine völlig ausgeglichene Position gefunden haben, greifen Sie vorsichtig nach dem drehbaren Gegengewichtsknopf (26) und drehen Sie ihn in die 0-Position. Sie müssen verhindern, dass sich der Rest des Gewichts dreht, sodass Sie es möglicherweise mit der anderen Hand festhalten müssen.
- Informieren Sie sich über die empfohlene Auflagekraft Ihres Tonabnehmers. Für das Ortofon OM5E beträgt es beispielsweise 1,75 g, was auf der Ortofon-Website oder im Benutzerhandbuch zu finden ist. Normalerweise liegt es bei etwa 2 g. Wenn Sie sich nicht sicher sind, empfehlen wir diese Einstellung.
- Drehen Sie nun das gesamte Gegengewicht (inkl. Einstellrad) auf die empfohlene Auflagekraft Ihres Tonabnehmers.
- Ziehen Sie abschließend eine der Stellschrauben fest, um die nun kalibrierte Gegengewichtspolition zu fixieren.



Wechseln der Kartusche

Normalerweise ist die Kartusche (36) vorinstalliert. Andernfalls installieren Sie den Tonabnehmer mit den beiden Befestigungsschrauben am Tonarmgriff (35) im Aluminium-Tonkopf (34). Es können alle Patronen mit standardmäßigen Halb Zoll-Befestigungslöchern montiert werden.

Schließen Sie die Kartuschenkabel wie unten angegeben an:

Weiß: linker Kanal L+
Rot: rechter Kanal R+
Grün: rechter Kanal R-
Blau: linker Kanal L-

Verwenden Sie das Tonabnehmer-Ausrichtungswerkzeug, um den neuen Tonabnehmer entlang einer gesamten Schallplatte zu kalibrieren (Anweisungen unten).

Wechseln des Stifts

Der Stift ist der vordere Teil des Tonabnehmers. Eine beschädigte oder abgenutzte Nadel kann Ihrer Plattensammlung schaden und sollte ersetzt werden. Bitte entfernen Sie den Stiftschutz, bevor Sie den Stift aus der Patrone ziehen, und ersetzen Sie ihn durch einen neuen.

Der Ersatznadeltyp für den vormontierten Tonabnehmer Ortofon OM5E ist der „Stylus OM5E“. Wenn beim Ortofon OM5E nur der Stift ausgetauscht wird, ist normalerweise keine Neuausrichtung des Tonabnehmers oder eine Neueinstellung der Auflagekraft erforderlich

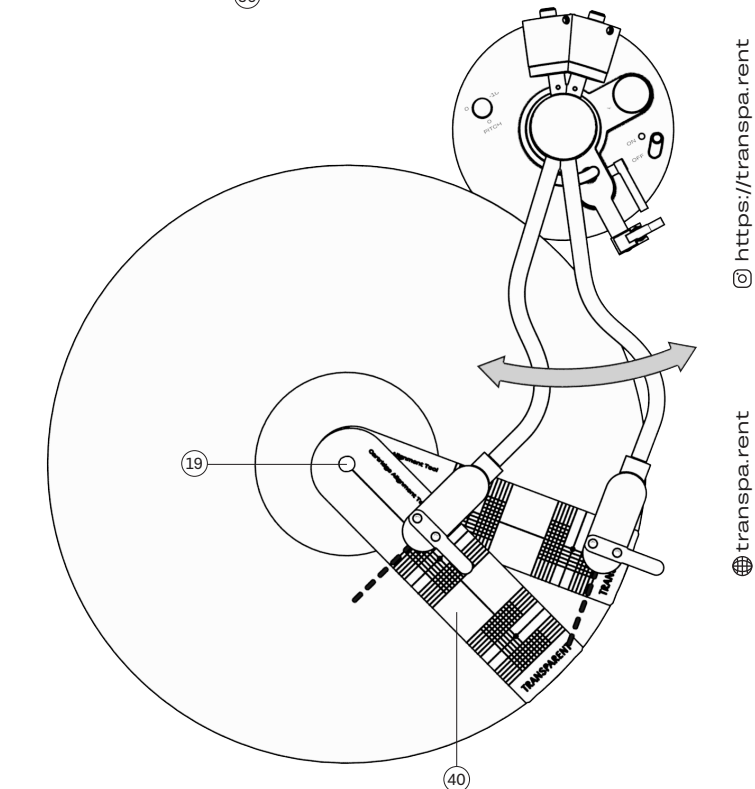
Tonkopf wechseln

Wenn Sie einen anderen Tonkopf (34) verwenden möchten, schrauben Sie einfach die Tonkopf-Halterung (33) ab und ziehen Sie dann den Tonkopf nach außen, um ihn zu lösen.

Setzen Sie einen anderen, mit dem SME-Anschluss kompatiblen, Tonkopf ein, schrauben Sie ihn mit den Fingern fest und kalibrieren Sie ihn mit dem Tonabnehmer-Ausrichtungswerkzeug entlang einer gesamten Schallplatte (Anweisungen unten).

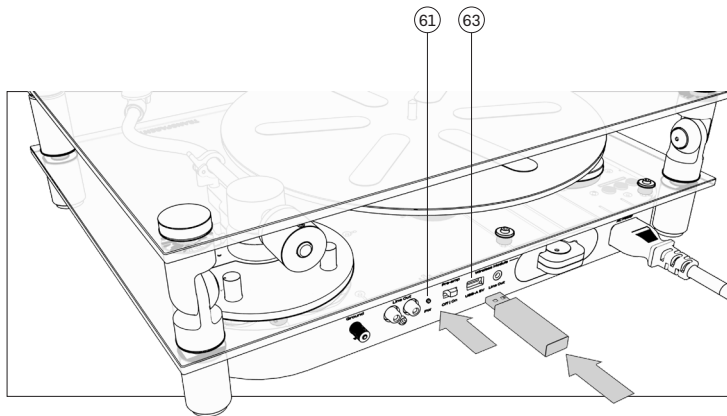
Patronenausrichtung

- Nehmen Sie zunächst Ihr Kartuschenausrichtungswerkzeug (40) von der Unterseite der E-Box.
- Um sicherzustellen, dass sich der Plattenteller während des Ausrichtungsvorgangs nicht bewegen kann, platzieren Sie kleine Pappkeile (o.ä.) unter der Außenkante des Plattentellers.
- Legen Sie eine Schallplatte auf den Plattenspieler.
- Entriegeln Sie den Tonarmclip.
- Heben Sie den Tonarmhebel in die obere Position.
- Lösen Sie die Schrauben der Kartusche etwas, damit sie eingestellt werden kann.
- Bewegen Sie den Tonabnehmer im Tonabnehmergehäuse nach vorne oder hinten, um die



Stiftspitze am empfohlenen Überhangpunkt des Tonabnehmergehäuses zu platzieren. Wenn kein empfohlener Überhang vorhanden ist, positionieren Sie den Tonabnehmer in der Mitte des Tonkopfs.

- Balancieren Sie den Tonarm und üben Sie vorübergehend eine Auflagekraft von 1 Gramm aus.
- Schieben Sie das Loch des Ausrichtungswerkzeugs über die Drehtellerspindel (19) und platzieren Sie das Ausrichtungswerkzeug auf der Schallplatte über dem Bereich, in dem die Nadel läuft.
- Innerer Ausrichtungspunkt (in der Nähe der Mitte der Schallplatte): Senken Sie den Tonarmhebel ab, sodass die Nadelspitze auf der inneren Nadelspitzenmarkierung am Werkzeug aufliegt. Wenn die Seiten des Tonabnehmergehäuses nicht parallel zu den Referenzlinien auf dem Werkzeug sind, heben Sie den Tonarmhebel an und stellen Sie die Position des Tonabnehmergehäuses mit den beiden oberen Schrauben so ein, dass es parallel zu den Referenzlinien auf dem Winkelmesser ist.
- Äußerer Ausrichtungspunkt: Wiederholen Sie diesen Vorgang für die Markierung der äußeren Stiftspitze am Ausrichtungswerkzeug.
- Wiederholen Sie diesen Vorgang an beiden Punkten, bis der Patronenkörper an beiden Punkten parallel oder so parallel wie möglich ist. Wenn der Tonabnehmer nur an einem Punkt parallel ausgerichtet werden kann, wählen Sie den inneren Punkt (näher an der Mitte der Schallplatte).
- Wenn der Einstellvorgang abgeschlossen ist, ziehen Sie die Befestigungsschrauben der Kartusche vollständig fest.
- Stellen Sie abschließend die korrekte Auflagekraft Ihres Tonarm-Gegengewichts ein.



Wartung

Ihr Plattenspieler benötigt kaum oder gar keine regelmäßige Wartung. Entfernen Sie Staub vorsichtig mit dem mitgelieferten, leicht angefeuchteten Tuch (42). Verwenden Sie niemals ein trockenes Tuch, da dadurch statische Elektrizität entsteht, die mehr Staub anzieht.

Antistatische Reinigungsflüssigkeiten sind im Fachhandel erhältlich, müssen jedoch sparsam angewendet werden, um Schäden an Gummiteilen zu vermeiden. Es wird empfohlen, den Kartuschen- deckel (37) vor der Reinigung oder Wartung anzubringen, um Schäden zu vermeiden.

Bei längerer Nichtbenutzung des Players kann der Gummigürt (45) entfernt werden, um eine ungleichmäßige Dehnung zu verhindern.

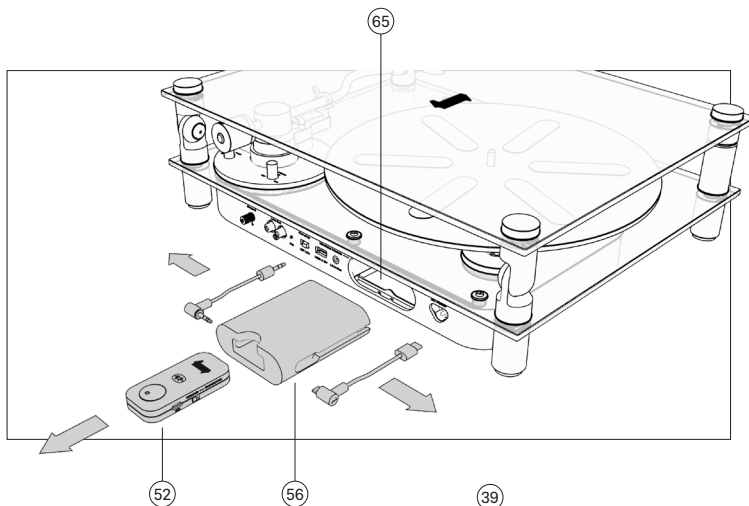
Es wird empfohlen, den Gummierem alle 1-2 Jahre zu wechseln, um eine gleichbleibende Wiedergabe zu gewährleisten. Durch das Auskothen des alten Gummibandes kann es seine Festigkeit wiedererlangen, da es hierbei etwas schrumpft.

Firmware-Version/Firmware-Upgrade

Die Firmware (FW) Ihrer TT-Elektronik kann im Laufe der Zeit aktualisiert werden.

Sie können Ihre FW-Version überprüfen, indem Sie auf der Rückseite auf die FW-Schaltfläche (61) klicken. Die LED an der Tonarmbasis signalisiert dann durch mehrmaliges Blinken die FW-Version. Version 01 ist ein Blinken, V02 ist zwei Blinken und so weiter.

- Führen Sie folgende Schritte aus, wenn Sie vom Transparent Kundenservice eine neue Firmware-Datei erhalten und diese auf einen USB-Stick übertragen haben: Schalten Sie Ihren Plattenspieler ein und stecken Sie den USB-Stick in die USB-A-Buchse (63) auf der Rückseite.
- Halten Sie die FW-Taste gedrückt. Lassen Sie die Taste los, wenn die LED zu blinken beginnt (nach etwa 5 Sekunden). Jetzt wird die neue FW-Version auf den Plattenspieler hochgeladen.
- Wichtig: Schalten Sie Ihren Plattenspieler während des FW-Upgrades NICHT aus, da dies den internen Speicher beschädigen könnte.
- Nachdem die LED aufgehört hat zu blinken, können Sie Ihren USB-Stick entfernen und bei Bedarf mit einem Klick die neue FW-Version überprüfen.



Hardware-Upgrade

Transparent™ lebt von einer zirkulären Designphilosophie. Ein großer Teil davon besteht darin, zu versuchen, unsere Produkte auf jedes zukünftige Szenario vorzubereiten, damit das Hauptprodukt nicht veraltet, sondern im Laufe der Zeit auf den neuesten technologischen Stand gebracht werden kann. Abgesehen von dem bereits beschriebenen Tonabnehmersystem und dem Tonkopf ist es sehr wahrscheinlich, dass einige Jahre nach der Auslieferung der ersten TT-Generation ein neues Funkmodul benötigt wird.

Das Funkmodulfach (65) verfügt über eine Silikonhalterung (56), die das Bluetooth-Modul (52) hält. Wenn Sie auf ein neues Funkmodul upgraden möchten, bietet Transparent wahrscheinlich Upgrades an. Besuchen Sie unsere Website unter <https://transpa.rent> und suchen Sie nach Upgrades.

Wenn Sie ein Upgrade von Transparent erhalten, ist es wahrscheinlich mit einer neuen Silikonhalterung und möglicherweise neuen Kabeln ausgestattet. In diesem Fall entfernen Sie einfach den gesamten Silikonhalter und setzen den neuen ein. Achten Sie bei diesem Vorgang darauf, dass die Kabel richtig eingesteckt sind.

Möglicherweise gibt es auch drahtlose Sender von Drittanbietern, die über USB 5 V mit Strom versorgt werden können und über eine Line-In-Buchse verfügen. Probieren Sie es ruhig aus und befestigen Sie das Drittanbietermodul beispielsweise mit einer doppelseitigen Unterlage im Fach, sofern es passt.

Demontage

Ihr transparenter Plattenspieler ist vollständig modular aufgebaut. Wenn ein Teil gewartet oder aufgerüstet werden muss, sollte dies mit dem Montagewerkzeug (39) möglich sein, das an der Unterseite der E-Box angebracht ist.

Alle Schrauben im TT können von beiden Enden dieses Werkzeugs betätigt werden. Bevor Sie mit der Demontage beginnen, ziehen Sie unbedingt das Netzkabel und die Musikkabel ab. Wie im Abschnitt Staubschutz beschrieben, werden die Scharniere und Säulen von Hand demontiert. Anschließend können Sie die restlichen Komponenten mit dem Montagewerkzeug lösen. Wichtiger Hinweis: Wir empfehlen, die E-Box nicht zu öffnen, es sei denn, Sie verfügen über Berufserfahrung oder werden vom Support-Team von Transparent unterstützt. Es besteht die Gefahr, dass empfindliche Komponenten beschädigt werden, oder, wenn das Netzkabel noch eingesteckt ist, besteht die Gefahr eines Stromschlags!

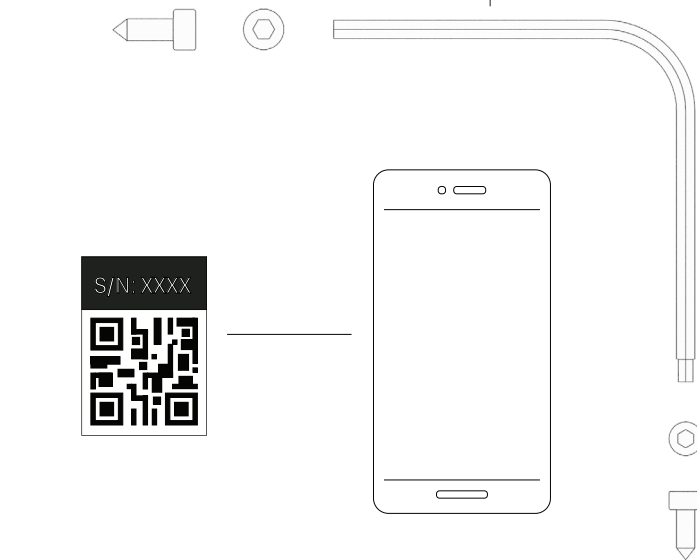
Alle Demontearbeiten erfolgen auf eigenes Risiko und führen zum Erlöschen jeglicher Garantie.

Recycling

Bei Bedarf kann der Transparent Turntable komplett in die einzelnen Materialien zerlegt werden (mit Ausnahme der Platinen, die zum Zeitpunkt des Schreibens noch zusammengelötet werden müssen). Wenn Sie in eine Situation geraten, in der Sie veraltete oder kaputte Teile entsorgen müssen, stellen Sie sicher, dass Sie sie sortieren und in Ihrer Nähe recyceln. Im Zweifelsfall wenden Sie sich bitte an unser Support-Team unter support@transpa.rent.

Garantie

Transparent bietet standardmäßig eine Garantie von 2 Jahren. Bitte wenden Sie sich an Ihren örtlichen Händler bzw <https://transpa.rent> für weitere Unterstützung.



Scannen Sie nach Rückverfolgbarkeit

Scannen Sie Ihren QR-Code-Aufkleber. Ihr Transparent Plattenspieler verfügt über eine eindeutige Seriennummer, die Sie online zu mehreren produktspezifischen Informationen führt. Möglicherweise finden Sie ein interaktives CO₂-Auswirkungstool, mit dem Sie die Rückverfolgbarkeit Ihres TT genauer untersuchen können. Möglicherweise finden Sie produkt- und generationsspezifische Ratschläge zu Upgrades und Service.

Service und Support

Kontaktieren Sie uns per E-Mail unter support@transpa.rent, wenn Sie Fragen haben.

Kontakt

Transparent Sound AB
Döbelnsgatan 47
113 52 Stockholm
Schweden

<https://transpa.rent>

Technische Spezifikationen

Allgemein

Nenngeschwindigkeiten: 33 1/3 und 45 U/min
Geschwindigkeitsvarianz: 33: ±0,70 % 45: ±0,60 %
Wow und Flattern: 33: ±0,25 % 45: ±0,25 %
Signal-Rausch-Verhältnis: ≥ 70 dB bei 1 kHz, 0 dB A-gewichtet
Auflagekraft: 1,75 Gramm
Effektive Tonarmmasse: 13,5 g
Effektive Tonarmlänge: 220 mm
Überhang: 19,5 mm
Maximaler Stromverbrauch: 15 W
Abmessungen (B x H x T): 410 x 125 x 320 mm
Gewicht: 6,5 kg
Abmessungen Verpackung (B x H x T): 580 x 240 x 460 mm
Gewicht inkl. Verpackung: 7,0 kg
Nenneingangsspannung: 100-240 VAC, bei 50/60 Hz

MM-Phono-Vorverstärker

Verstärkung: 34 dB +/- 2 dB
Ausgangsspannung: > 220 mV/1 kHz bei 5 mV/1 kHz Eingang
Eingangsimpedanz: 47 kOhm/100 pF
RIAA-Entzerrungskurvengenauigkeit: 20Hz-15kHz / max. 2 dB

Bluetooth 5-Modul (im TT Gen 1 vorinstalliert)

Bluetooth-Version: 5.0
Normale oder echte drahtlose (Stereo-)Kopplung
3,5-mm-Anschluss für digitale optische und analoge Signale
µUSB-Anschluss für 5V-Stromversorgung
Dual-Modus: Umschalten zwischen Sender (TX) und Empfänger (RX) – Die Standardeinstellung in TT sollte TX sein
Chip: Qualcomm CSR8670C
Codec: aptX LL / SBC / MP3 / AAC
Latenz: Extrem niedrig <40 ms
Vergoldete Kontakte für perfekte Signalübertragung
Vielfältige Aufstellmöglichkeiten und flexibler Einsatz
Mehrfach konfigurierbare I2S- und SPDIF-Schnittstelle
Eingebauter 16-Bit-Stereo-Codec – 95 dB SNR für DAC
D/A-Wandlung 16 Bit / 96 kHz
A/D-Wandlung 16 Bit / 48 kHz
Temperaturbereich: 5 bis +50 °C
Zulässige relative Luftfeuchtigkeit: 5 - 90 %
Spannungsversorgung: 5V
Abmessungen: 33 x 62 x 12 (B x H x T in mm)
Gewicht: 0,02 kg

MM-Tonabnehmer Ortofon OM 5E

Frequenzbereich: 20-25.000 Hz +3 / -3
Ausgangsspannung bei 1000 Hz, 5 cm/s: 4 mV
Kanalbalance bei 1 kHz: 2 dB
Kanaltrennung bei 1 kHz: 22 dB
Kanaltrennung bei 15 kHz: 15 dB
Tracking-Fähigkeit bei 315 Hz bei empfohlener Tracking-Kraft (typischer Wert): 60 µm
Compliance, dynamisch, lateral: 20 µm/mN
Stifttyp: Elliptisch
Tastspitzenradius: r/R 8/18 µm
Auflagekraftbereich: 1,5-2,0 g (15-20 mN)
Auflagekraft, empfohlen: 1,75 g (17,5 mN)
Spurwinkel: 20°
Innenimpedanz, Gleichstromwiderstand: 750 Ohm
Interne Induktivität: 450 mH
Empfohlener Lastwiderstand: 47 kOhm
Empfohlene Lastkapazität: 200-500 pF
Patronenfarbe, Gehäuse/Stift: Schwarz/Schwarz
Patronengewicht inkl. Mehrgewicht: 5 g
Patronengewicht exkl. Mehrgewicht: 2,5 g
Ersatzstifteinheit: Stylus 5E
OM 5E verfügt über einen elliptischen Stift, der eine ausgewogene und verzerrungsfreie Wiedergabe ermöglicht. Elliptische Diamanten sind aufgrund ihrer konturierten Form in der Lage, den Rillenschwingungen genauer zu folgen als kugelförmige Diamanten. Dies führt zu einem besseren Tracking und weniger Verzerrungen.

Materialien

Glas: Gehärtetes Optiwhite
Aluminium: AL6061 – Schätzungsweise 50 % Recyclinganteil
Kunststoffe: ABS V0+UV – 100 % Recyclinganteil
Papiere und Kartons: 100 % FSC-zertifiziert
Produktbeutel: Spunlace
Verpackungspuffer: EPE

Wichtige Sicherheitsanweisungen

- 1) Lesen Sie diese Anweisungen.
- 2) Bewahren Sie diese Anleitung auf.
- 3) Beachten Sie alle Warnungen.
- 4) Befolgen Sie alle Anweisungen.
- 5) Benutzen Sie dieses Gerät nicht in der Nähe von Wasser.
- 6) Nur mit dem mitgelieferten, leicht angefeuchteten Tuch reinigen.
- 7) Blockieren Sie keine Lüftungsöffnungen. Installieren Sie es gemäß den Anweisungen des Herstellers.
- 8) Nicht in der Nähe von Wärmequellen wie Heizkörpern, Heizregistern, Öfen oder anderen Geräten (einschließlich Verstärkern) installieren, die Wärme erzeugen.
- 9) Die Sicherheitsfunktion des polarisierten oder geerdeten Steckers darf nicht außer Kraft gesetzt werden.
Ein polarisierter Stecker hat zwei Stifte, von denen einer breiter ist als der andere. Ein Erdungsstecker hat zwei Stifte und einen dritten Erdungsstift. Zu Ihrer Sicherheit dienen die breite Klinge oder die dritte Zinke. Wenn der mitgelieferte Stecker nicht in Ihre Steckdose passt, wenden Sie sich an einen Elektriker, um die veraltete Steckdose auszutauschen.
- 10) Vermeiden Sie es, auf das Netzkabel zu treten oder es einzuklemmen, insbesondere an Steckern, Steckdosen und an der Stelle, an der es aus dem Gerät austritt.
- 11) Verwenden Sie nur vom Hersteller angegebene Aufsätze/Zubehörteile.
- 12) Trennen Sie das Gerät während eines Gewitters oder bei längerer Nichtbenutzung vom Stromnetz.
- 13) Überlassen Sie alle Wartungsarbeiten qualifiziertem Servicepersonal. Eine Wartung ist erforderlich, wenn das Gerät in irgendeiner Weise beschädigt wurde, z. B. wenn das Netzkabel oder der Stecker beschädigt ist, Flüssigkeit verschüttet wurde oder Gegenstände in das Gerät gefallen sind, das Gerät

Regen oder Feuchtigkeit ausgesetzt war und nicht normal funktioniert, oder wenn es fallen gelassen wurde.

14) Um dieses Gerät vollständig vom Wechselstromnetz zu trennen, ziehen Sie den Stecker des Netzkabels aus der Wechselstromsteckdose.

15) Der Netzstecker des Netzkabels muss frei bedienbar bleiben. In Singapur wird nur ein 3-poliger UK-Steckeranschluss verwendet.

Warnung

Um die Gefahr eines Brandes oder Stromschlags zu verringern, setzen Sie dieses Gerät weder Regen noch Feuchtigkeit aus

Vorsicht

Änderungen oder Modifikationen, die nicht von Transparent Sound AB genehmigt wurden, können zum Erlöschen der Berechtigung des Benutzers zum Betrieb des Geräts führen.

Symbole

Achtung: Um die Gefahr eines Stromschlags zu vermeiden, entfernen Sie nicht die Abdeckung (oder die Rückseite). Im Inneren befinden sich keine vom Benutzer zu wartenden Teile. Überlassen Sie die Wartung qualifiziertem Servicepersonal.

Dieses Gerät darf nicht als normaler Hausmüll behandelt werden. Die Entsorgung von Elektro- und Elektronikaltgeräten (WEEE) gilt in den Mitgliedstaaten der Europäischen Union und anderen europäischen Ländern.

individuelle nationale Richtlinien zum Umgang mit Elektro- und Elektronik-Altgeräten. Wenn Sie weitere Informationen zu den Sammel-, Wiederverwendungs- und Recyclingsystemen benötigen, wenden Sie sich bitte an Ihre örtliche oder regionale Abfallverwaltung.

Das Produkt entspricht den folgenden europäischen Richtlinien:

- Ökodesign-Anforderungen für die Richtlinie über energieverbrauchsrelevante Produkte (EG) 278/2009
- Funkanlagenrichtlinie (RED) 2014/53/EU
- Die Niederspannungsrichtlinie (LVD) 2014/35/EU

• Sicherheitsstandard für ITE- und AV-Geräte. Entspricht UL62368-1 für Nordamerika und zertifiziert nach Kanada IEC62368-1.

Das Produkt entspricht RoHS (Richtlinie zur Beschränkung gefährlicher Stoffe) 2011/65/EU und 2015/863/EU (RoHS 3).

Anforderungen an Funkfrequenzstörungen – FCC

Dieses Gerät entspricht Teil 15 der FCC-Bestimmungen.

Der Betrieb unterliegt den folgenden zwei Bedingungen:

- (1) Dieses Gerät darf keine schädlichen Störungen verursachen
- (2) Dieses Gerät muss alle empfangenen Störungen verkraften, einschließlich Störungen, die zu unerwünschtem Betrieb führen können.

HINWEIS Dieses Produkt wurde getestet und entspricht den Grenzwerten für ein digitales Gerät der Klasse B gemäß Teil 15 der FCC-Bestimmungen. Diese Grenzen sind

entwickelt, um einen angemessenen Schutz vor schädlichen Störungen in einer Wohnanlage zu bieten. Dieses Produkt erzeugt, nutzt und kann Funkwellen ausstrahlen und kann, wenn sie nicht gemäß den Anweisungen installiert und verwendet wird, schädliche Störungen der Funkkommunikation verursachen. Es gibt keine Garantie dafür, dass dieses Gerät keine Störungen verursacht. Bestimmte Voraussetzungen verursachen kann. Wenn dieses Produkt schädliche Störungen beim Radio- oder Fernsehempfang verursacht, können Sie dies feststellen, indem Sie das Gerät ausschalten.

Weiterhin wird dem Benutzer empfohlen, zu versuchen, die Störung durch eine oder mehrere der folgenden Maßnahmen zu beheben:

– Richten Sie die Empfangsantenne neu aus oder versetzen Sie sie.

– Erhöhen Sie den Abstand zwischen Gerät und Empfänger.

– Schließen Sie das Gerät an eine Steckdose an, die zu einem anderen Stromkreis gehört als dem, an den der Empfänger angeschlossen ist.

– Wenden Sie sich an den Händler oder einen erfahrenen Radio-/TV-Techniker.

Bitte beachten Sie, dass Änderungen oder Modifikationen, die nicht ausdrücklich von der für die Einhaltung verantwortlichen Partei genehmigt wurden, zum Erlöschen der Betriebserlaubnis des Benutzers führen können.

Gemäß den Vorschriften von Industry Canada darf dieser Funksender nur mit einer Antenne eines Typs und mit maximaler (oder geringerer) Verstärkung betrieben werden, die dafür von Industry Canada zugelassen ist. Um mögliche Funkstörungen für andere Benutzer zu reduzieren, sollten der Antennentyp und der Antennengewinn so gewählt werden, dass die isotrop abgestrahlte Leistung (EIRP) nicht größer als die für eine erfolgreiche Kommunikation erforderliche Leistung ist.

Das Produkt entspricht den Sicherheits- und EMV-Zulassungen (elektromagnetische Verträglichkeit) für auf dem japanischen Markt verkaufte elektrische Produkte. Das anwendbare Recht ist das japanische DENAN-Gesetz (Electrical Appliance and Material Safety Act).

Korea Communication Commission: bedeutet die Einhaltung der koreanischen Produktsicherheitsanforderungen für elektrische und elektronische Geräte und wird von einer in Korea ansässigen Zertifizierungsstelle ausgestellt, die von der Korea Standards Association genehmigt wurde.

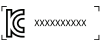
Das UK Conformity Assessed (UKCA)-Zeichen ist ein Konformitätszeichen, das die Konformität mit den geltenden Anforderungen für Produkte anzeigt, die in Großbritannien (England, Schottland und Wales) verkauft werden.

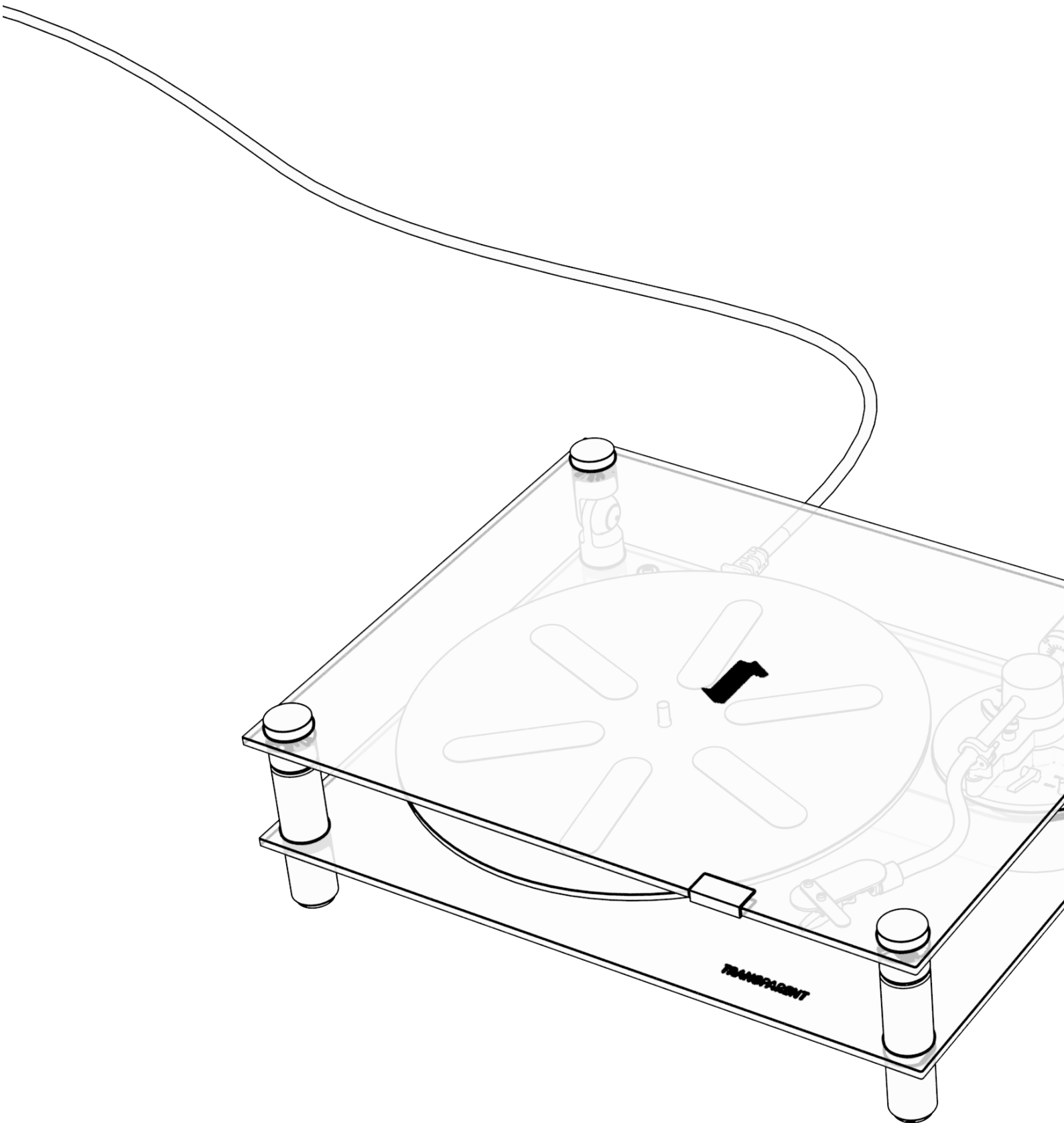
Die UKNI-Kennzeichnung ist eine Konformitätskennzeichnung für in Nordirland auf den Markt gebrachte Produkte, die einer obligatorischen Konformitätsbewertung durch eine benannte Stelle durch Dritte unterzogen wurden.

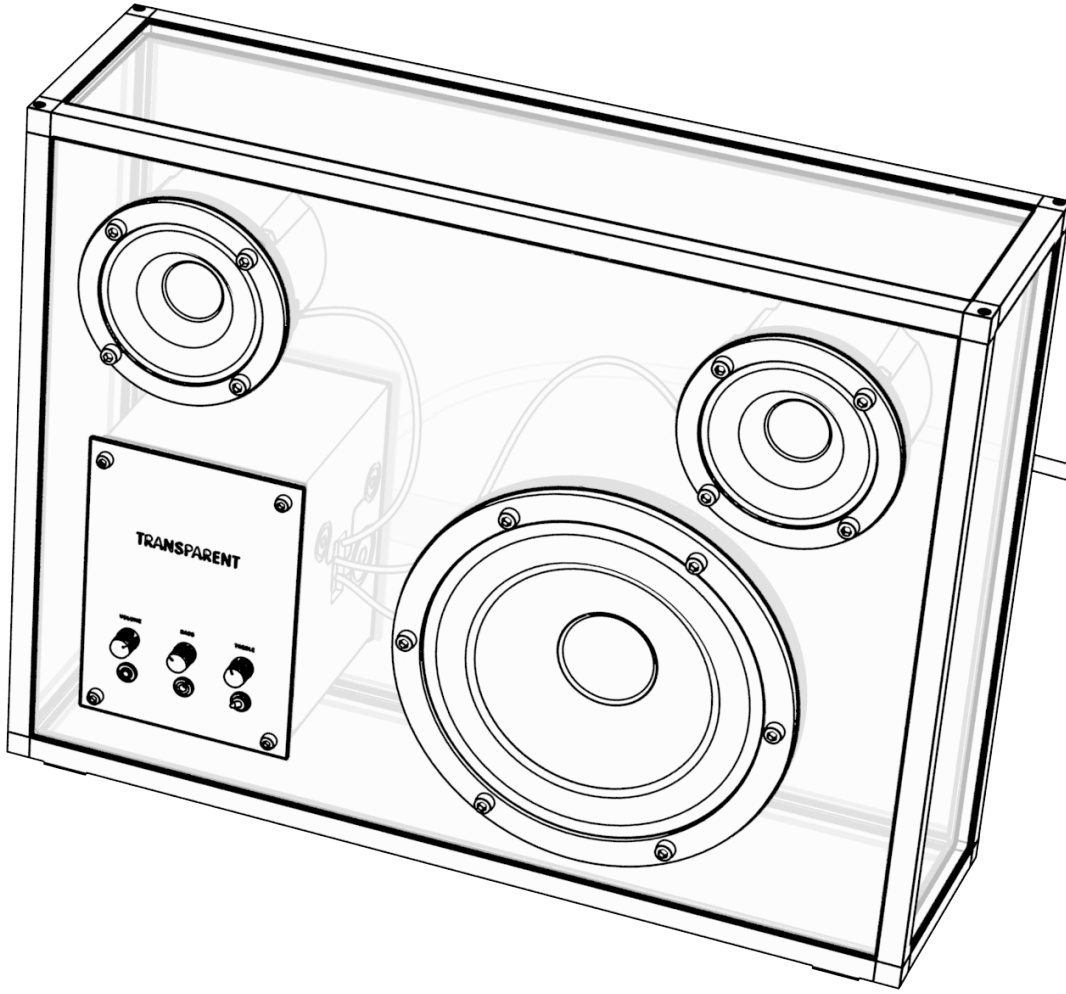
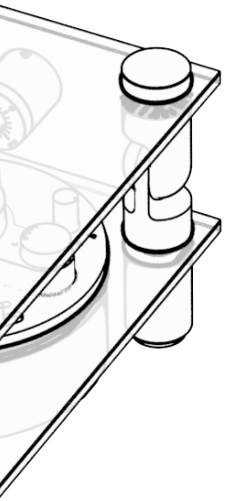
IEC 60417: Zur Identifizierung elektrischer Geräte, die hauptsächlich für den Innenbereich bestimmt sind.

Dieses Produkt entspricht:

ETLus: UL62368-1
FCC SDOC: FCC PART15B
IC: ICES-003
CE-LVD: EN62368-1
CE-EMV: EN55032 + EN55035 + IEC EN61000-3-2 + IEC EN61000-3-3
UKCA: BS EN62368-1 + BS EN55032/35 + BS EN61000-3-2/3
PSE: J62368







TRANSPARENT



El Giradiscos "Transparent" (TT) es un reproductor de discos de vinilo de alta calidad. Está construido con una base de vidrio templado y una cubierta contra el polvo, y la mayoría de las partes estructurales están fabricadas en aluminio. Estos materiales resistentes ofrecen una estructura rígida para garantizar una reproducción estable y garantizada con el tiempo.

El sistema de motor de tracción por correa es un método verificado, para asegurar una reproducción constante durante mucho tiempo, posee controles de velocidad y seguimiento de precisión para ajustar la reproducción de manera precisa.

Hemos desarrollado nuestro propio brazo fonocaptor con una cápsula magnética móvil que puede sostenerse en cualquier cabezal con orificios de montaje estándar, pero incluso el cabezal es modular gracias al conector estándar SME.

El brazo fonocaptor se mueve mediante una empuñadura de aluminio personalizada, una palanca de elevación y un clip.

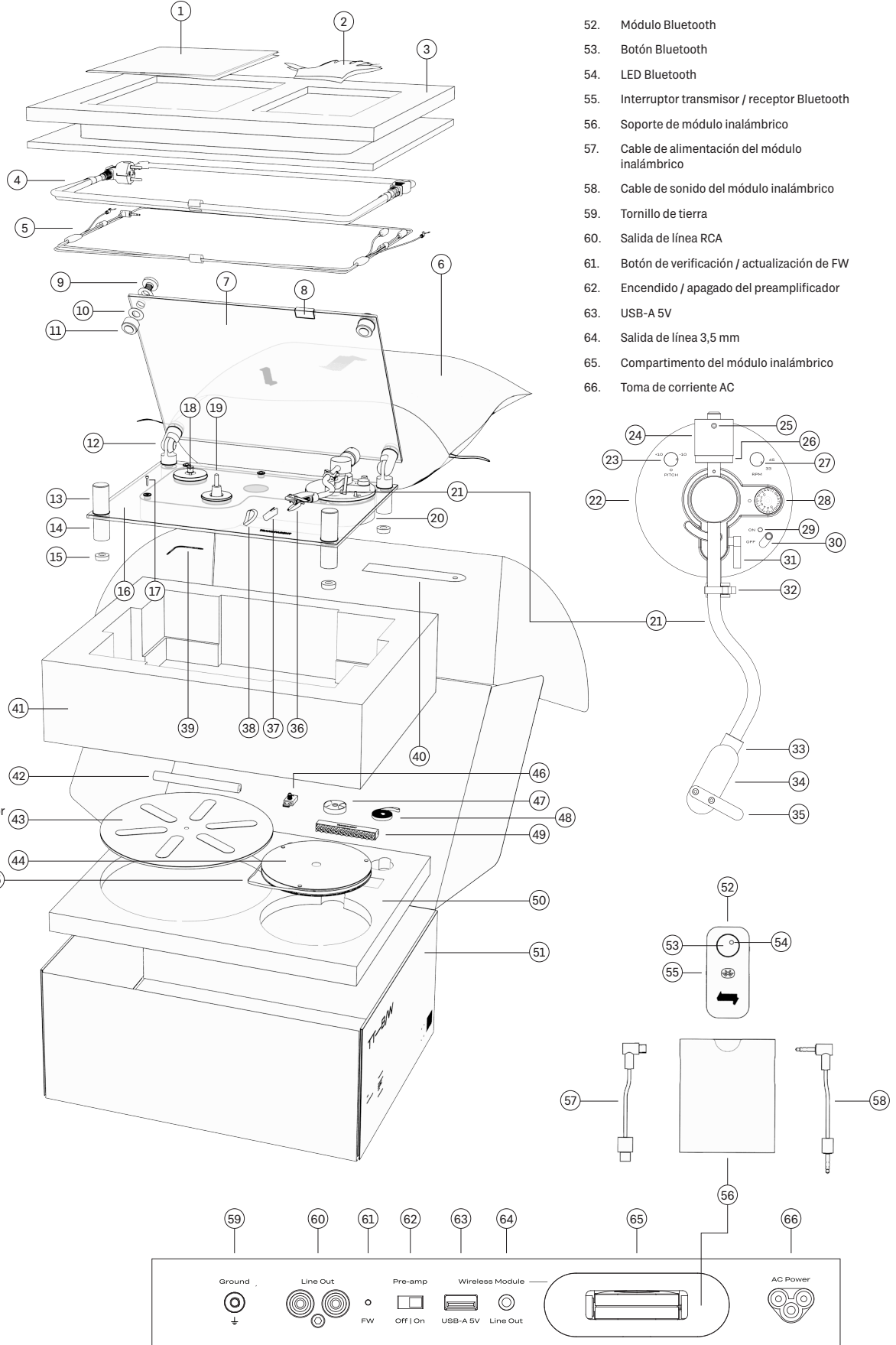
El Giradiscos Transparent "TT" tiene un preamplificador incorporado. Esto significa que puede reproducir directamente en cualquier altavoz moderno (activo) sin necesidad de equipos separados. Si desea usar amplificadores externos, por supuesto que también hay un interruptor de encendido/apagado del preamplificador. El TT incluye cables de audio, pero para garantizar una funcionalidad atemporal del giradiscos, hemos desarrollado un compartimento para módulos inalámbricos también. La primera generación del TT viene con nuestro módulo Bluetooth™ preinstalado para que pueda disfrutar de sus discos de vinilo de forma inalámbrica si lo desea. En futuras demandas del hogar, el TT está listo para adaptarse y actualizarse según las necesidades futuras.

El diseño completamente modular, la construcción de alta calidad y la naturaleza actualizable de estos productos forman parte de la filosofía de diseño circular de Transparent. No se trata solo de la procedencia de todas las materias primas, sino también de un plan para que el producto siga siendo relevante a lo largo del tiempo.

Piezas

- 1. Manual del usuario
- 2. Guantes
- 3. Protección superior
- 4. Cable de alimentación
- 5. Cable de música (RCA)
- 6. Bolsa del producto
- 7. Cubierta contra el polvo
- 8. Empuñadura
- 9. Tornillo del soporte x4
- 10. Arandelas x16
- 11. Soportes superiores x2
- 12. Soportes de bisagra x2
- 13. Soportes frontales x2
- 14. Soportes inferiores x4
- 15. Patas de goma x4
- 16. Base de soporte
- 17. Tornillos
- 18. Polea del motor
- 19. Eje
- 20. Caja E
- 21. Brazo fonocaptor
- 22. Placa de base del brazo fonocaptor
- 23. Perilla de velocidad / tono de precisión
- 24. Contrapeso del brazo fonocaptor
- 25. Tornillo de fijación del contrapeso
- 26. Dial del contrapeso
- 27. Perilla de ajuste de RPM de velocidad
- 28. Perilla de anti-skating
- 29. LED
- 30. Interruptor encendido/apagado
- 31. Palanca de elevación del brazo fonocaptor
- 32. Clip del brazo fonocaptor
- 33. Montura del cabezal
- 34. Cabezal
- 35. Empuñadura del brazo fonocaptor
- 36. Cápsula fonográfica
- 37. Tapa de la cápsula fonográfica
- 38. Banda de goma
- 39. Herramienta de montaje (llave Allen)
- 40. Herramienta de alineación de cápsula
- 41. Protector central
- 42. Paño
- 43. Plato
- 44. Sub-plato
- 45. Correa de goma
- 46. Adaptador de tierra USB
- 47. Adaptador de 45 RPM
- 48. Correa de goma adicional
- 49. Cepillo para discos
- 50. Protector inferior
- 51. Embalaje

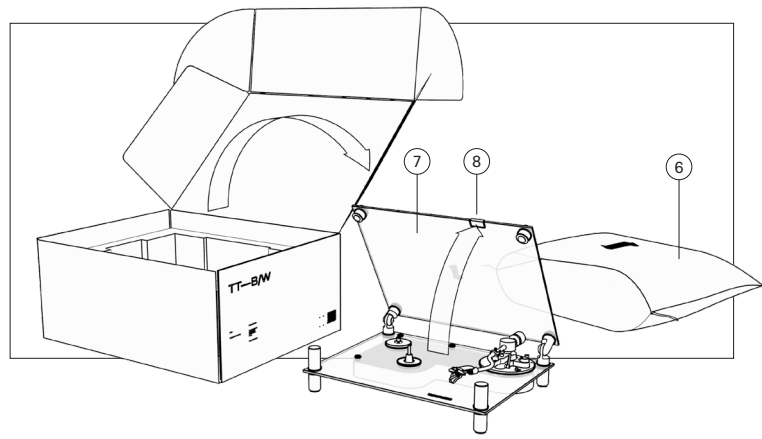
- 52. Módulo Bluetooth
- 53. Botón Bluetooth
- 54. LED Bluetooth
- 55. Interruptor transmisor / receptor Bluetooth
- 56. Soporte de módulo inalámbrico
- 57. Cable de alimentación del módulo inalámbrico
- 58. Cable de sonido del módulo inalámbrico
- 59. Tornillo de tierra
- 60. Salida de línea RCA
- 61. Botón de verificación / actualización de FW
- 62. Encendido / apagado del preamplificador
- 63. USB-A 5V
- 64. Salida de línea 3,5 mm
- 65. Compartimento del módulo inalámbrico
- 66. Toma de corriente AC



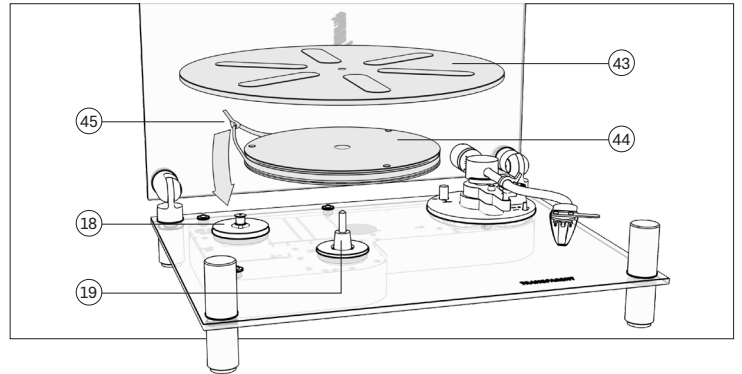
Manual del Usuario

Guía de Configuración

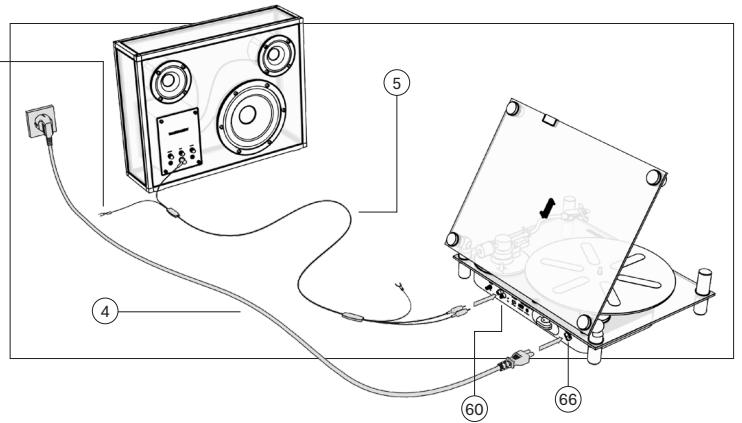
- Desempaque su giradiscos cerca del altavoz que utilizará con él. Asegúrese de tener una superficie plana suficiente para colocar su giradiscos y un enchufe eléctrico cercano.
- Abra la caja.
- Colóquese los guantes (2). Saque todo el protector superior (3) y guárdelo por ahora.
- Saque el giradiscos del embalaje.
- Abra la bolsa del producto (6) y tire suavemente de la apertura sobre los soportes frontales, y luego hacia atrás para desembalar el giradiscos completo.
- Abra la cubierta contra el polvo (7) sujetándola por la empuñadura (8).



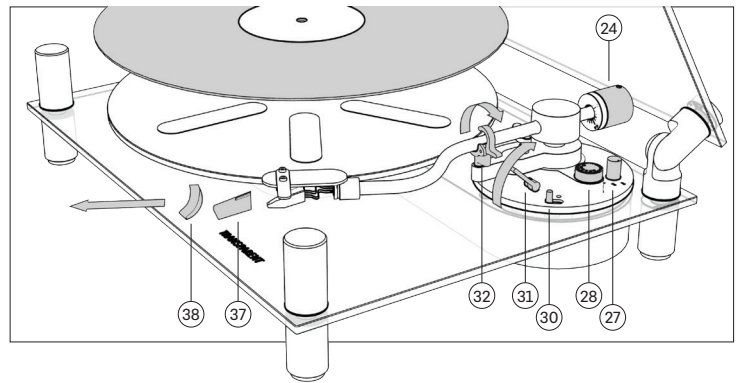
- Saque el sub-plato (44) del embalaje.
- Coloque el sub-plato en el eje (19) con los tres puntos de goma hacia arriba.
- Pellizque la bandera de papel que sujeta la correa de goma (45) en el lado del sub-plato y tire de ella sobre la polea del motor (18), luego retire el protector de papel.
- Coloque el plato principal (43) encima con las seis franjas de goma hacia arriba.



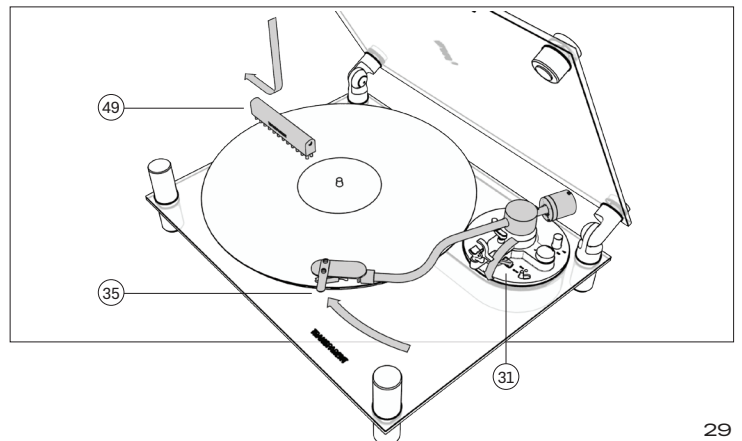
- Conecte primero el cable de alimentación (4) al enchufe de corriente alterna (66) en la parte posterior del giradiscos. Conecte el otro lado a un enchufe de pared.
- Conecte el mini-jack del cable de música (5) a la entrada de línea en su altavoz o amplificador y enchufe el lado RCA del cable en la toma de salida de línea RCA (60) en la parte posterior del giradiscos. Asegúrese de enchufar el conector blanco en el conector blanco y el conector rojo en el conector rojo.
- Para las instrucciones del cable de tierra en forma de "Y" con el cable de sonido jack (necesario para el Small Transparent Speaker), consulte la página 30.
- Para la reproducción en dos altavoces, consulte la página 30.
- Para la reproducción a través de Bluetooth, consulte la página 30.
- Asegúrese de que su altavoz esté encendido y tenga el volumen al menos al 50%.
- Asegúrese de que el interruptor del preamplificador (62) en la parte posterior del giradiscos esté en la posición "encendido". Para su uso con amplificadores externos, coloque el interruptor del preamplificador en la posición "apagado".
- Ahora coloque el giradiscos en el lugar donde desea que esté. Recomendamos usar guantes y mantener la cubierta contra el polvo cerrada en todo momento al levantar y mover el giradiscos.
- Si la superficie debajo de su giradiscos es irregular, tiene la posibilidad de ajustar el nivel de las patas de goma (15) utilizando un destornillador de cabeza plana.



- El contrapeso del brazo fonocaptor (24) viene pre calibrado, por lo que no es necesario ajustar el peso. Para instrucciones de calibración de la fuerza de seguimiento, consulte la página 31.
- Quite la banda de goma (38) que sujeta la tapa de la cápsula (37) durante el envío. También retire la tapa de la cápsula.
- Coloque su disco de vinilo favorito en el giradiscos.
- Mueva el interruptor de encendido/apagado (30) a la posición de encendido.
- Verifique que la perilla de ajuste de RPM de velocidad (27) esté en la posición de 33 RPM (esta es la velocidad de reproducción más común). Para reproducir sencillos a 45 RPM, consulte la página 30.
- Verifique que la perilla de anti-skating (28) esté en la posición 2. Para ajustes de anti-skating, consulte la página 31.
- Desenganche el clip del brazo fonocaptor (32).
- Levante el brazo fonocaptor levantando la palanca de elevación del brazo fonocaptor (31).



- Mueva el brazo fonocaptor pellizcando la empuñadura del brazo fonocaptor (35) y coloque la aguja de la cápsula sobre el borde al comienzo del disco. Ahora, el disco debería haber comenzado a girar.
- Si hay polvo o partículas en su disco, aproveche este momento para limpiar el disco con el cepillo para discos (49). Mientras el disco está girando y el brazo fonocaptor está en posición elevada, baje el cepillo sobre el lado izquierdo del disco para limpiar todas las pistas del disco al mismo tiempo, no es necesario mover el cepillo hacia adelante y hacia atrás, simplemente deje que atrape los residuos mientras el disco gira y luego muévelo hacia afuera del disco.
- Baje el brazo fonocaptor bajando la palanca del brazo fonocaptor (31).
- Ahora debería escuchar música. Si es necesario, ajuste finamente la velocidad usando la perilla de tono de precisión (23). Ajuste el volumen en su altavoz y disfrute del momento.
- Después de que el disco haya terminado, el motor se detendrá. Cuando termine de reproducir, primero levante la palanca del brazo fonocaptor. Agarre la empuñadura del brazo fonocaptor y mueva el brazo fonocaptor de regreso a su posición de descanso. Baje la palanca de elevación del brazo fonocaptor. Enganche el clip del brazo fonocaptor. Cierre la cubierta contra el polvo sujetándola por la empuñadura.



Cubierta contra el Polvo

Al abrir y cerrar la cubierta contra el polvo, siempre use la empuñadura (8) para evitar manchar el vidrio. Mientras reproduce un disco o cuando no esté en uso, la cubierta debe estar cerrada para protegerlo del polvo.

Si encuentra que la fuerza de la bisagra es demasiado fuerte o con el tiempo se vuelve demasiado floja, utilice la herramienta de ensamblaje (39) adjunta en la parte inferior de la caja y ajuste los tornillos de la bisagra para encontrar la fuerza de la bisagra deseada. Recuerde quitar todos los platos y usar guantes si gira su giradiscos boca abajo.

Si prefiere utilizar su giradiscos sin la cubierta contra el polvo por alguna razón, puede desmontarla usando solo sus dedos:

- Desenrosque los cuatro tornillos del soporte (9) en la parte superior, retire la cubierta contra el polvo y los dos soportes superiores (11).
- Desenrosque los dos soportes frontales (13) y los dos soportes de bisagra (12) y guárdelos.
- Coloque los cuatro tornillos del soporte, esta vez a través de la base y hacia abajo en los soportes inferiores (14). Asegúrese de que tengan una arandela (10) cada uno para proteger el vidrio.

Si encuentra que sus soportes frontales y soportes superiores no están perfectamente alineados:

- Desenrosque los dos tornillos de los soportes superiores y repositone los soportes superiores para que se alineen con los dos soportes frontales, luego ajústelos nuevamente. Si es necesario, repita este procedimiento en los soportes frontales.

Configuración de Velocidad

La mayoría de los discos utilizan la velocidad de 33 1/3 RPM, por lo que esta es la configuración de velocidad predeterminada.

Algunos discos, a menudo discos más pequeños o sencillos, utilizan la velocidad de 45 RPM. Estos discos, en algunas ocasiones, tienen un agujero más grande para el eje, por lo que debe usar el adaptador de 45 RPM incluido (47) al colocar su disco, y debe cambiar la perilla de ajuste de RPM de velocidad (27) a 45.

Si siente que la velocidad de reproducción de su música necesita un ajuste más preciso, puede utilizar la perilla de velocidad / tono de precisión (23).

Reproducción en el Small Transparent Speaker mediante cable / Evitar ruido de tierra

Los captadores del giradiscos son dispositivos sensibles y pueden captar varios tipos de ruido no deseado en diferentes situaciones. Esto puede depender de la puesta a tierra o del blindaje en los componentes electrónicos internos de varios altavoces. El enchufe Line In en la parte inferior del Altavoz Pequeño Transparente a veces puede generar ruido no deseado cuando se reproduce desde un giradiscos, y hemos desarrollado un método para mejorar esto.

El cable RCA (5) tiene un pequeño cable de tierra con un pequeño conector de tierra en forma de "Y" en ambos extremos. Este conector está destinado a atornillarse a un tornillo de tierra (59) en ambos lados. Primero, inserte el cable RCA en la salida de línea RCA del giradiscos (60) y coloque el STS de lado para exponer los conectores hacia arriba e inserte el mini-jack en la entrada de línea STS.

En el lado del giradiscos, el tornillo de tierra se encuentra en el lado izquierdo de la salida de línea RCA. Use sus dedos y atornille el conector en su lugar en el tornillo de tierra. En el lado del altavoz, inserte el Adaptador de Tierra USB (46) en el enchufe USB y atornille el conector en su lugar en el tornillo de tierra. Ahora puede seguir los pasos normales para comenzar a reproducir un disco.

Nota: Si está reproduciendo en el enchufe de entrada frontal en el STS o si está reproduciendo en un Altavoz Transparent grande, no debería ser necesario usar el conector del cable de tierra ni el adaptador de tierra USB.

Reproducción en Dos Altavoces por Cable

Todos los Altavoces Transparent vienen con un cable de sonido incluido. Este se puede usar desde la toma de salida de línea de 3,5 mm (64) en el giradiscos hasta la toma de entrada de línea de 3,5 mm en la parte trasera, o frontal de su altavoz Transparent (según el modelo).

El segundo altavoz se puede conectar luego usando el cable RCA para la reproducción simultánea.

Si uno de los altavoces es un Small Transparent Speaker, consulte las instrucciones para usar el Adaptador de Tierra USB (46) arriba.

Si está reproduciendo en dos Small Transparent Speaker, recomendamos usar el cable RCA (5) con cable de tierra en la entrada inferior, y el cable de música STS incluido en la entrada frontal de su segundo altavoz.

Para la selección del canal Izquierdo/Derecho en su Altavoz Transparent o Small Transparent Speaker, consulte los respectivos manuales de usuario.

Nota: Si desea reproducir en un par de altavoces tradicionales, recomendamos usar el cable RCA desde la salida de línea RCA del giradiscos (60) hasta la entrada de línea en su amplificador existente que ya tenga sus altavoces (pasivos) conectados. Considere apagar el interruptor del preamplificador (62) en la parte posterior de su giradiscos en este escenario.

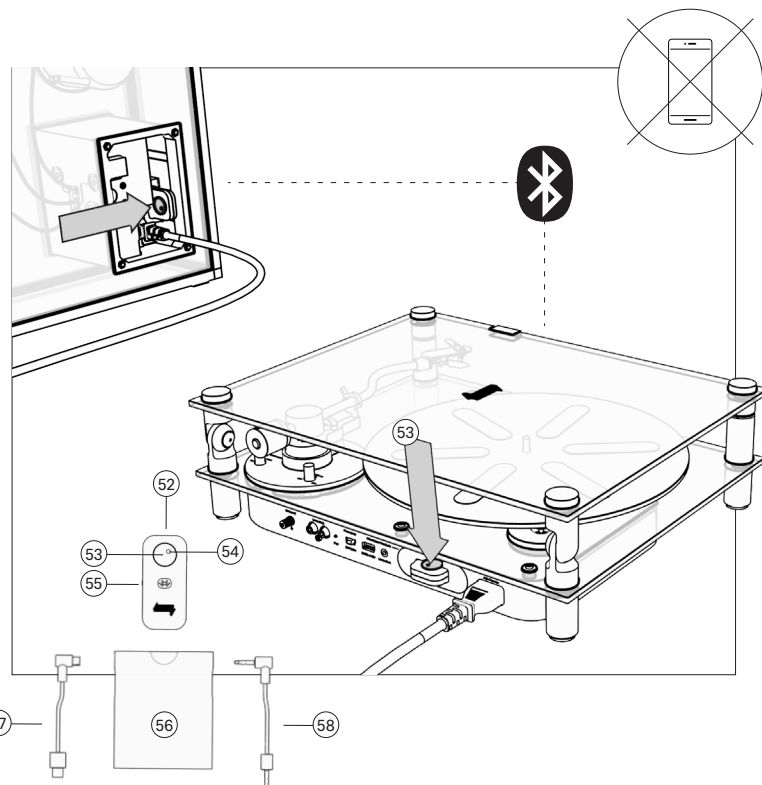
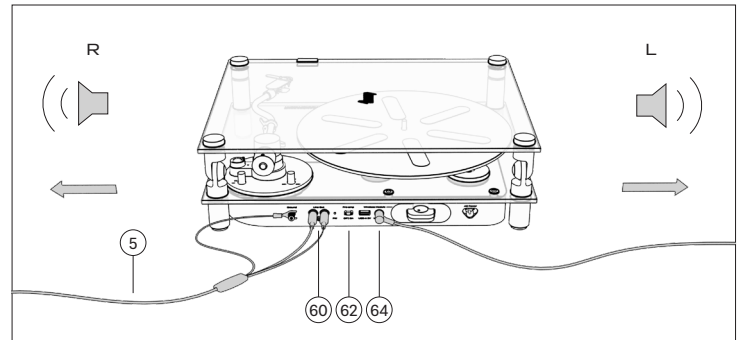
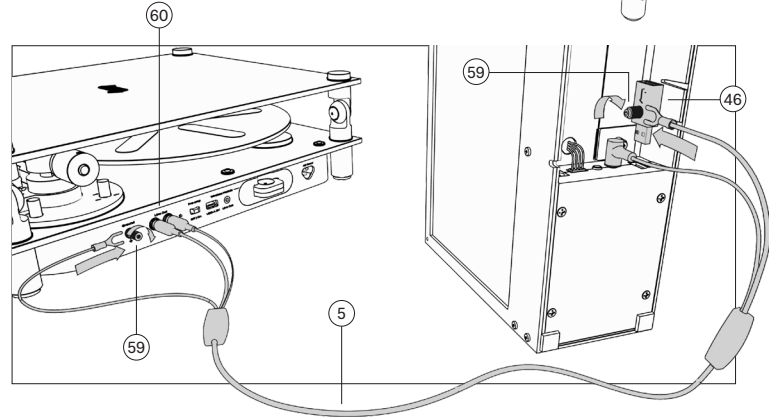
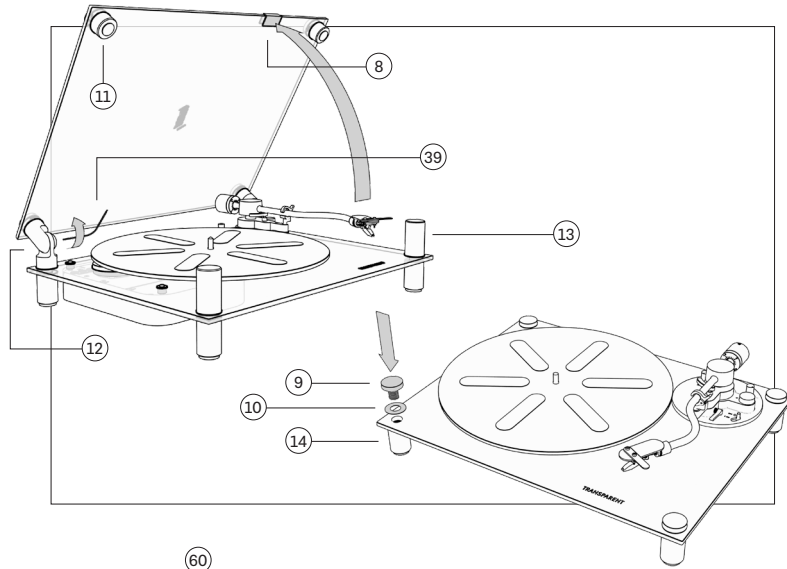
Reproducción en un Altavoz por Bluetooth

El Giradiscos Transparent debería ser compatible con la mayoría de los altavoces y auriculares Bluetooth en el mercado, pero no podemos garantizar la compatibilidad con todos los protocolos de todos los tiempos. Las instrucciones a continuación se centrarán en la conexión con altavoces Transparent. Nota: No es necesario usar su smartphone para emparejar un altavoz con el giradiscos.

- Asegúrese de que tanto su giradiscos como su altavoz estén encendidos.
- Presione el botón de bluetooth en su Altavoz Transparent (u otro altavoz habilitado para Bluetooth).
- Presione el botón de bluetooth (53) en su giradiscos Transparent. Observe cómo el LED de Bluetooth (54) comienza a parpadear más rápido durante el modo de emparejamiento y más lento nuevamente cuando se ha establecido la conexión. También debería escuchar un efecto de sonido en el altavoz que confirma la conexión.

Solución de Problemas:

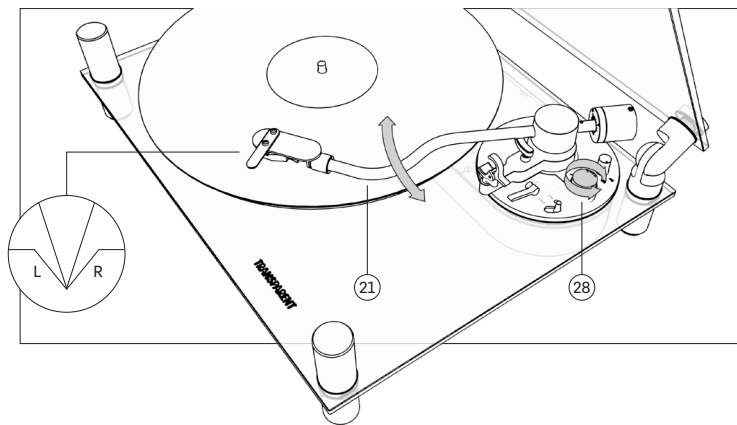
- Asegúrese de que el altavoz y el giradiscos estén lo suficientemente cerca. En algunas condiciones, no más de unos pocos metros de distancia.
- Seleccione "olvidar dispositivo" en sus Altavoces Transparentes en la configuración de Bluetooth en todos los teléfonos inteligentes, tabletas, computadoras, televisores, etc. previamente emparejados. Esto es para evitar que los altavoces se conecten a otros dispositivos que no sean el giradiscos durante la operación de emparejamiento.
- Realice un restablecimiento de fábrica manteniendo presionado el botón de bluetooth en su altavoz y giradiscos (generalmente +6 o +10 segundos) hasta que el LED de bluetooth parpadee rápidamente.
- Asegúrese de que el módulo Bluetooth en el lado del altavoz esté configurado en "Receptor" (no aplicable en STS) y el módulo Bluetooth en el lado del giradiscos esté configurado en "Transmisor" (55).
- Asegúrese de que el módulo Bluetooth del giradiscos esté encendido; debería tener una luz roja parpadeando lentamente en el botón. De lo contrario (después de quitar cualquier disco y ambos platos y con guantes puestos), gire cuidadosamente el giradiscos boca abajo e investigue el compartimento del módulo inalámbrico (65) para que ambos cables (57, 58) dentro del compartimento estén suficientemente conectados tanto al giradiscos como al módulo Bluetooth.



Reproducción en Dos Altavoces por Bluetooth

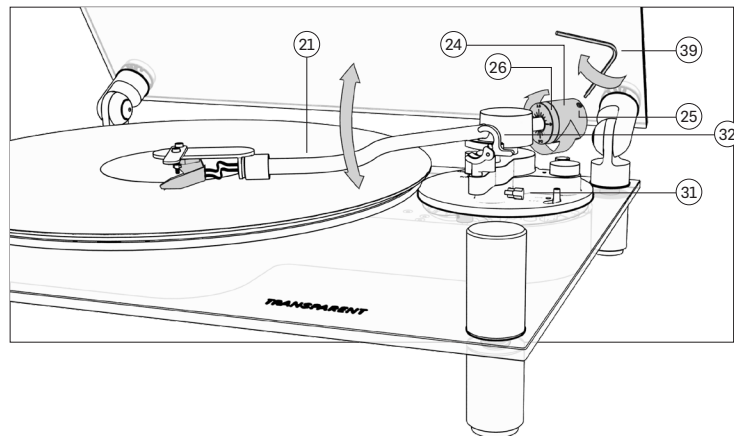
El Giradiscos Transparent debería ser compatible con la mayoría de los altavoces y auriculares Bluetooth en el mercado, pero no podemos garantizar la compatibilidad de emparejamiento inalámbrico con todos los protocolos de todos los tiempos. Las instrucciones a continuación se centrarán en el emparejamiento con altavoces Transparentes.

- Si alguno de los altavoces se ha emparejado previamente con teléfonos inteligentes, tabletas, PC, televisores, etc., vaya al menú de Bluetooth y seleccione "olvidar dispositivo". Luego, realice un reinicio en el botón de Bluetooth del altavoz.
- Coloque sus altavoces y el giradiscos en la misma habitación, no más lejos de 5 m entre sí, preferiblemente aún más cerca.
- Asegúrese de que tanto los altavoces como el giradiscos estén encendidos.
- Mantenga presionado el botón de Bluetooth en el primer altavoz y suéltelo durante la luz LED roja y escuche el comando " True Wireless Pairing Mode". Luego haga lo mismo en el segundo altavoz.
- Consejo: Abra la configuración de Bluetooth de un smartphone y espere a que ambos altavoces aparezcan en la lista de nuevos dispositivos Bluetooth (pero no los seleccione en la pantalla).
- Ahora presione el botón de emparejamiento en el giradiscos (53).
- Ahora la conexión debería estar completada.
- Si está usando dos Small Transparentes Speakers o Light Speakers, o una combinación de estos, deberían entrar automáticamente en modo de canal "Izquierdo" o "Derecho", respectivamente. De lo contrario, se puede ajustar manteniendo presionado (consulte las instrucciones del lado inferior del altavoz). Para el Altavoz Transparent grande, puede hacer esta selección manualmente en el panel posterior mediante un interruptor.



Anti-Skating (Control de Deslizamiento)

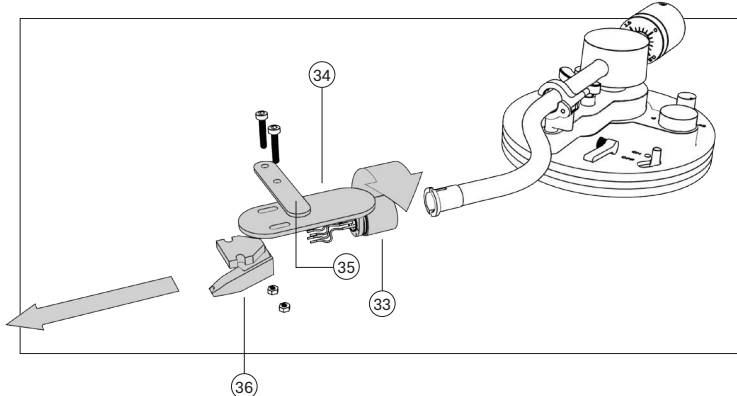
La pequeña "aguja" o "stylus" en la punta del brazo (21) recoge las vibraciones musicales de una ranura en forma de V en el disco. El lado interno o "izquierdo" de la V contiene toda la información de ondas de sonido del canal izquierdo de la grabación musical, y viceversa en el lado externo o "derecho" de esta ranura. El brazo del giradiscos naturalmente tiende a moverse hacia el centro del disco, pero si se tira o "patina" demasiado hacia adentro, ejercerá demasiada presión en el lado del canal izquierdo, lo que a su vez crea distorsión en el canal derecho de la música. Si escucha que esto ocurre, puede hacer que la aguja patine menos hacia adentro aumentando la fuerza de anti-deslizamiento en el botón de anti-deslizamiento (28). Y viceversa, si escucha distorsiones en el canal izquierdo de la música, debe disminuir la fuerza de anti-deslizamiento. El objetivo es permitir que la aguja viaje en el medio de la ranura en forma de V. La configuración predeterminada de anti-deslizamiento en su giradiscos Transparent debe ser 2.



Fuerza de Seguimiento Vertical / Calibración del Contrapeso del Brazo

Su giradiscos debería llegar con un contrapeso del brazo (24) pre calibrado. Pero si es necesario, siga los siguientes pasos:

- Abra la cubierta contra el polvo y use la herramienta de ensamblaje (39) para liberar el tornillo del conjunto de contrapeso (25).
- Suelte el clip del brazo (32) pero mantenga la palanca de elevación del brazo (31) en posición descendente.
- Agarre el contrapeso con los dedos, atorníllelo hacia afuera hasta que el brazo se levante de su posición de descanso.
- Gire el brazo hacia adentro sobre el disco. Ahora atornille suavemente el contrapeso hacia atrás hasta que pueda ver un brazo perfectamente equilibrado. No es necesario que esté completamente nivelado, pero debería flotar en el aire sin moverse hacia arriba o hacia abajo. Déjelo reposar un poco y cuando encuentre una posición completamente equilibrada, agarre suavemente el dial del contrapeso rotativo (26) y gírelo a la posición 0. Debe mantener el resto del peso de rotación para que no se mueva en su lugar con su otra mano.
- Descubra la fuerza de seguimiento recomendada para su cápsula. Por ejemplo, para la Ortofon OM5E es de 1,75 g, lo cual se puede encontrar en el sitio web de Ortofon o en el manual del usuario. Normalmente, suele ser alrededor de 2 g, por lo que, si no está seguro, recomendamos esta configuración.
- Ahora gire todo el contrapeso (incluido el dial) a la fuerza de seguimiento recomendada de su cápsula.
- Finalmente, apriete uno de los tornillos de ajuste para fijar la posición del contrapeso calibrado.



Cambio de la Cápsula

Por lo general, la cápsula (36) viene preinstalada. De lo contrario, instale la cápsula en la pletina de aluminio (34) utilizando los dos tornillos de montaje ubicados en el grip del brazo (35). Todas las cápsulas con agujeros de montaje estándar de media pulgada pueden ser instaladas.

Conecte los cables de la cápsula como se indica a continuación:

Blanco: Canal izquierdo L+
 Rojo: Canal derecho R+
 Verde: Canal derecho R-
 Azul: Canal izquierdo L-

Use la herramienta de alineación de cápsulas para calibrar la nueva cápsula a lo largo de todo un disco (instrucciones a continuación).

Cambio de Aguja

La aguja es la parte frontal de la cápsula. Una aguja dañada o desgastada puede dañar su colección de discos y debe ser reemplazada. Por favor, retire la protección de la aguja antes de sacarla de la cápsula y reemplácela por una nueva.

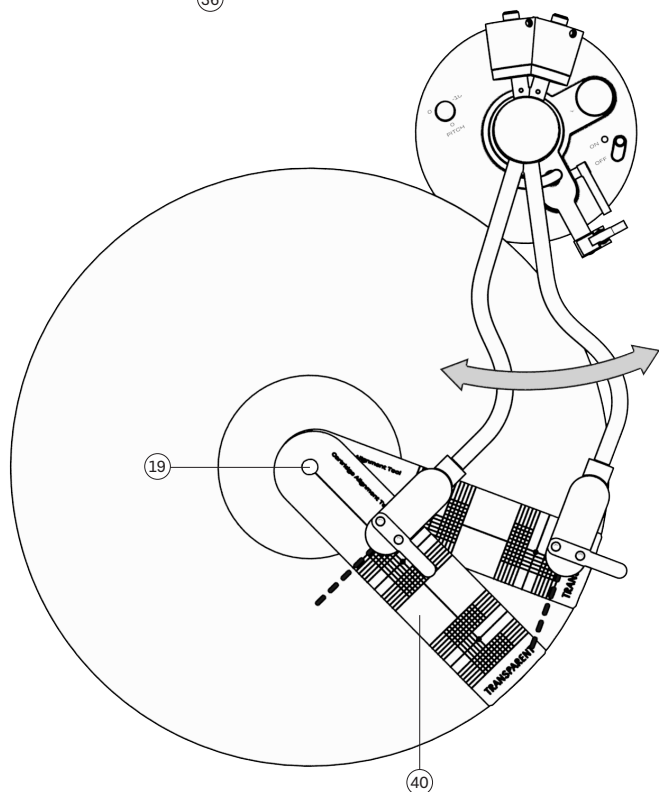
El tipo de aguja de repuesto para la cápsula preinstalada Ortofon OM5E es la "Stylus OM5E". Si solo cambia la aguja en la Ortofon OM5E generalmente no es necesario realinear la cápsula ni readaptar la fuerza de seguimiento.

Cambio de Pletina del Brazo (Headshell)

Si desea usar otra pletina del brazo (34), simplemente desenrosque el soporte de la pletina del brazo (33) y luego tire hacia afuera la pletina del brazo para liberarla. Inserte otra pletina del brazo compatible con conector SME, enrósquela en su lugar con los dedos y use la herramienta de alineación de cápsulas para calibrarla a lo largo de todo un disco (instrucciones a continuación).

Alineación de la Cápsula

- Primero, recupere la herramienta de alineación de cápsulas (40) desde la parte inferior de la caja.
- Para asegurarse de que el giradiscos no se mueva durante el procedimiento de alineación, coloca pequeñas cuñas de cartón (o similares) debajo del borde exterior de la platina del giradiscos.
- Coloque un disco en el giradiscos.
- Desenganche el clip del brazo.
- Levante la palanca de elevación del brazo a la posición elevada.
- Aflorje un poco los tornillos de la cápsula para que pueda ajustarse.
- Mueva la cápsula hacia adelante o hacia atrás en la cápsula del brazo para colocar la punta de la aguja en el punto de saliente recomendado para la cápsula del brazo. Si no hay un saliente recomendado, posicione la cápsula en el centro de la cápsula del brazo.



- Equilibre el brazo del tocadiscos y aplique temporalmente una fuerza de seguimiento de 1 gramo.
- Deslice el agujero de la herramienta de alineación sobre el eje del giradiscos (19) y coloque la herramienta de alineación en el disco sobre el área donde la aguja realiza el seguimiento.
- Punto de alineación interno (cerca del centro del disco): Baje la palanca del brazo para que la punta de la aguja descansa en la marca interna de la punta de la aguja en la herramienta. Si los lados del cuerpo de la cápsula no son paralelos a las líneas de referencia en la herramienta, levante la palanca del brazo y ajuste la posición del cuerpo de la cápsula mediante los dos tornillos superiores, para que sea paralelo a las líneas de referencia en el transportador.
- Punto de Alineación Externa: Repita este procedimiento para la marca externa de la punta de la aguja en la herramienta de alineación.
- Repita este procedimiento en ambos puntos hasta que el cuerpo de la cápsula sea paralelo en ambos puntos, o lo más cerca posible de la paralelización. Si la cápsula solo se puede hacer paralela en un punto, selecciona el punto interno (más cerca del centro del disco).
- Cuando se complete el procedimiento de ajuste, aprieta completamente los tornillos de montaje de la cápsula.
- Finalmente, restablezca la fuerza de seguimiento correcta del contrapeso del brazo.

Mantenimiento

Su giradiscos requiere poco o ningún mantenimiento regular. Retire el polvo suavemente con el paño incluido (42) ligeramente humedecido. Nunca use un paño seco, ya que esto creará electricidad estática que atraerá más polvo.

Los fluidos de limpieza antiestáticos están disponibles en tiendas especializadas, pero deben aplicarse con moderación para evitar daños en las piezas de goma. Se recomienda colocar la cubierta de la cápsula (37) antes de realizar la limpieza o el mantenimiento para evitar daños.

Si el giradiscos no se va a utilizar durante un largo período de tiempo, se puede quitar la correa de goma (45) para evitar un estiramiento desigual.

Se recomienda cambiar la correa de goma cada 1-2 años para mantener una reproducción constante. Consejo: Hervir la vieja correa de goma en agua caliente puede recuperar su fuerza, ya que se encogerá un poco.

Versión de Firmware / Actualización de Firmware

La electrónica de tu giradiscos (TT) puede actualizarse con el tiempo mediante el Firmware (FW). Puede verificar la versión de tu Firmware haciendo clic en el botón FW (61) en la parte posterior. El LED en la base del brazo de lectura parpadeará un número de veces para indicar la versión del Firmware. La versión 01 se representa con un parpadeo, la V02 con dos parpadeos y así sucesivamente. Si ha estado en contacto con el equipo de soporte de Transparent y ha recibido un archivo FW nuevo, o lo tiene en un dispositivo USB-A:

- Encienda su giradiscos e inserte la memoria USB en el puerto USB-A (63) en la parte trasera.
- Mantenga presionado el botón FW. Suelte el botón cuando el LED comience a parpadear (después de unos 5 segundos). Ahora la nueva versión del Firmware se cargará en el giradiscos.
- Importante: NO apague el giradiscos durante la actualización de Firmware, ya que podría dañar la memoria interna.
- Después de que el LED haya dejado de parpadear, puede expulsar la memoria USB y, si lo desea, verificar la nueva versión de firmware con un clic.

Actualización de Hardware (HW)

Transparent™ sigue una filosofía de diseño circular. Una gran parte de esto implica preparar nuestros productos para cualquier escenario futuro, de manera que el producto principal no se vuelva obsoleto, sino que pueda actualizarse y mejorarse con el tiempo a medida que evoluciona la tecnología.

Además de la cápsula y el porta cápsulas que ya se han descrito, es muy probable que se necesite un nuevo módulo inalámbrico después de algunos años desde que se envió la primera generación del TT. El compartimento del módulo inalámbrico (65) tiene un soporte de silicona (56) que sostiene el módulo Bluetooth (52).

Si desea actualizar a un nuevo módulo inalámbrico, es probable que Transparent ofrezca actualizaciones. Visita nuestro sitio web en <https://transpa.rent> y busca las actualizaciones.

Si obtiene una actualización de Transparent, es probable que venga con un nuevo soporte de silicona y posiblemente nuevos cables. En este caso, simplemente expulse el soporte de silicona completo e inserte el nuevo, asegúrese de que los cables se conecten correctamente durante esta operación.

También podría haber transmisores inalámbricos de terceros que funcionen con USB 5V y tengan una toma de entrada de línea. Siéntase libre de probar esto y utiliza, por ejemplo, una almohadilla de doble cara para fijar el módulo de terceros en el compartimento, si cabe.

Desmontaje

Su giradiscos Transparent (TT) tiene un diseño completamente modular. Si alguna parte necesitara servicio o una actualización, esto se puede hacer utilizando la herramienta de montaje (39) adjunta en la parte inferior de la caja.

Todos los tornillos en el TT se pueden operar con cualquiera de los extremos de esta herramienta.

Antes de comenzar cualquier trabajo de desmontaje, asegúrese de desconectar el cable de alimentación y los cables de audio.

Como se describe en la sección de la cubierta antipolvo, las bisagras y pilares se desmontan a mano. Después de esto, puede liberar el resto de los componentes utilizando la herramienta de montaje.

Nota importante: No recomendamos abrir la caja E a menos que tenga experiencia profesional o que siga las indicaciones del equipo de soporte de Transparent. Podría correr el riesgo de dañar componentes sensibles o, si el cable de alimentación aún está conectado, existe el riesgo de una descarga eléctrica.

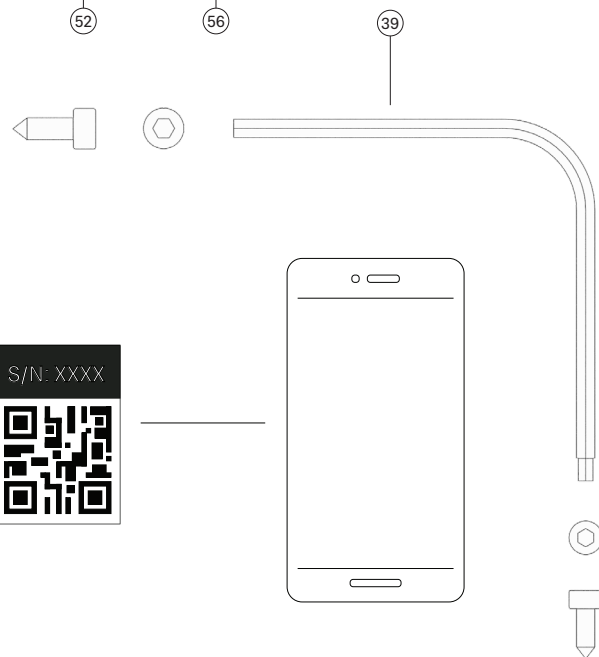
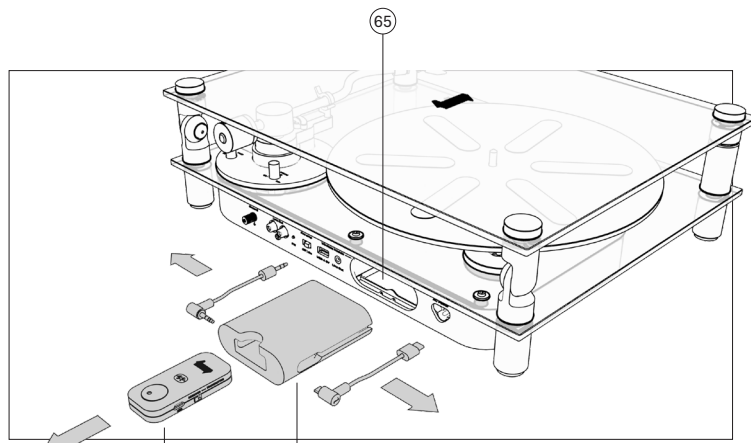
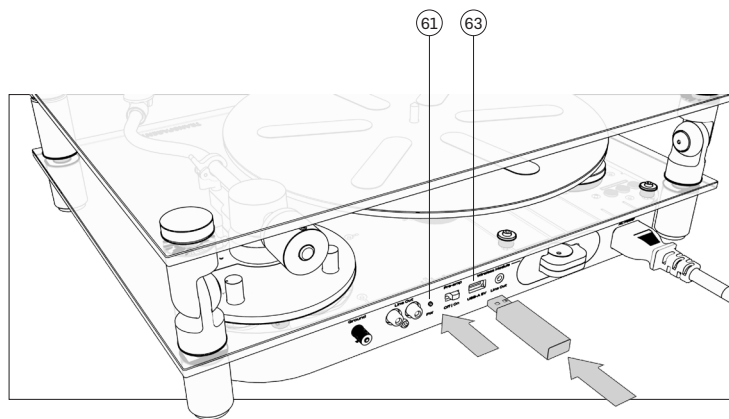
Todas las actividades de desmontaje se realizarán bajo su propio riesgo y anularán cualquier garantía.

Reciclaje

Si es necesario, el giradiscos Transparent se puede desmontar por completo en materiales individuales (excepto las placas del circuito y los componentes, que se encuentran soldados entre sí). Si se encuentra en una situación en la que necesita desechar piezas obsoletas o rotas, asegúrese de clasificarlas y reciclarlas en su respectivo flujo de residuos en su área local. Si tiene dudas, pongase en contacto con nuestro equipo de soporte en support@transpa.rent.

Garantía

Transparent ofrece una garantía estándar de 2 años. Consulte a su distribuidor local o visite <https://transpa.rent> para obtener más ayuda.



Rastreabilidad de su TT

Escanee el código QR de su etiqueta. Su Giradiscos Transparent tiene un número de serie único que le llevará a varios descubrimientos específicos del producto en línea. Es posible que encuentre una herramienta interactiva de impacto de CO2 para explorar más a fondo la trazabilidad de su TT. También podrá encontrar consejos específicos del producto y la generación sobre actualizaciones y servicios.

Servicio y Soporte

Quedamos a su disposición para poder aclarar o responder a cualquier pregunta o ponerse en contacto con nosotros en el correo electrónico: support@transpa.rent.

Contacto

Transparent Sound AB
Döbelnsgatan 47
113 52 Stockholm
Suecia
<https://transpa.rent>

Especificaciones Técnicas

General

Velocidades nominales: 33 1/4 y 45 RPM
Variación de velocidad: 33: ±0.70% 45: ±0.60%
Wow y flutter: 33: ±0.25% 45: ±0.25%
Relación señal/ruido: ≥ 70 dB a 1 kHz, ponderación A de 0 dB
Fuerza de seguimiento: 1.75 gramos
Masa efectiva del brazo: 13.5 g
Longitud efectiva del brazo: 220 mm
Sobresaliente: 19.5 mm
Consumo máximo de energía: 15W
Dimensiones (An x Al x Prof): 410 x 125 x 320 mm
Peso: 6.5 kg
Dimensiones del embalaje (An x Al x Prof): 580 x 240 x 460 mm
Peso incluyendo el embalaje: 7.0 kg
Voltaje de entrada nominal: 100-240 VCA, a 50/60 Hz

Preamplificador de fonógrafo MM

Ganancia: 34 dB +/- 2 dB
Voltaje de salida: > 220 mV/1 kHz con entrada de 5 mV/1 kHz
Impedancia de entrada: 47kOhms/100pF
Precisión de la curva de equalización RIAA: 20 Hz - 15 kHz / máx. 2 dB.

Módulo Bluetooth 5 (Preinstalado en el TT Generación 1)

Versión de Bluetooth: 5.0
Emparejamiento normal o True Wireless (estéreo)
Puerto de 3.5 mm para señales ópticas digitales y analógicas
Puerto USB para alimentación de 5V
Modo dual: Cambio entre Transmisor (TX) y Receptor (RX) - El valor predeterminado en el TT debería ser TX
Chip: Qualcomm CSR8670C
Código: aptX LL / SBC / MP3 / AAC
Latencia: Extremadamente baja <40 ms
Contactos chapados en oro para una transmisión de señal perfecta
Múltiples opciones de configuración y uso flexible
Interfaz I2S, SPDIF multi-configurable
Código estéreo de 16 bits integrado - SNR de 95 dB para DAC
Conversión D/A 16 bits / 96 kHz
Conversión A/D 16 bits / 48 kHz
Rango de temperatura: 5 a +50 °C
Humedad relativa permisible: 5 - 90%
Alimentación de voltaje: 5V
Dimensiones: 33 x 62 x 12 (ancho x alto x profundo en mm)
Peso: 0.02 kg

MM-Cartridge Ortofon OM 5E

Rango de frecuencia: 20-25.000 Hz +3 / -3
Voltaje de salida a 1000 Hz, 5 cm/s: 4 mV
Balance de canales a 1 kHz: 2 dB
Separación de canales a 1 kHz: 22 dB
Separación de canales a 15 kHz: 15 dB
Capacidad de seguimiento a 315 Hz a la fuerza de seguimiento recomendada (valor típico): 60 µm
Cumplimiento dinámico, lateral: 20 µm/mN
Tipo de aguja: Elíptica
Radio de la punta de la aguja: r/R 8/18 µm
Rango de fuerza de seguimiento: 1.5-2.0 g (15-20 mN)
Fuerza de seguimiento recomendada: 1.75 g (17.5 mN)
Ángulo de seguimiento: 20°
Impedancia interna, resistencia DC: 750 Ohmios
Inductancia interna: 450 mH
Resistencia de carga recomendada: 47 kOhmios
Capacitancia de carga recomendada: 200-500 pF
Color del cartucho, cuerpo/punta de aguja: Negro/Negro
Peso del cartucho incluyendo el peso adicional: 5 g
Peso del cartucho excluyendo el peso adicional: 2.5 g
Unidad de punta de aguja de repuesto: Stylus 5E
El OM 5E cuenta con una punta de aguja elíptica que proporciona una reproducción equilibrada y libre de distorsiones. Las agujas elípticas pueden seguir las oscilaciones de la ranura de manera más precisa que las agujas esféricas debido a su forma contorneada. Esto resulta en un mejor seguimiento y menos distorsión.

Materiales

Vidrio: Optiwhite templado
Aluminio: AL6061 - Aproximadamente 50% de contenido reciclado
Plásticos: ABS V0+UV - 100% de contenido reciclado
Papeles y cartones: 100% certificados FSC
Bolsas de producto: Spunlace
Protector de embalaje: EPE

Instrucciones Importantes de Seguridad

- 1) Lea estas instrucciones.
- 2) Conserve estas instrucciones.
- 3) Preste atención a todas las advertencias.
- 4) Siga todas las instrucciones.
- 5) No utilice este aparato cerca del agua.
- 6) Limpie solo con el paño incluido ligeramente humedecido.
- 7) No obstruya las aberturas de ventilación. Instale de acuerdo con las instrucciones del fabricante.
- 8) No coloque cerca de fuentes de calor como radiadores, fuentes de calor, estufas u otros aparatos (incluyendo amplificadores) que generen calor.
- 9) No anule el propósito de seguridad del enchufe polarizado o de tipo toma de tierra. Un enchufe polarizado tiene dos clavijas, una más ancha que la otra. Un enchufe de tipo toma de tierra tiene dos clavijas y una tercera clavija de toma de tierra. La clavija ancha o la tercera clavija se proporcionan para su seguridad. Si el enchufe proporcionado no entra en su toma de corriente, consulte a un electricista para reemplazar la toma de corriente obsoleta.
- 10) Proteja el cable de alimentación para que no sea pisado ni golpeado, especialmente en los enchufes, tomas de corriente y en el punto donde salen del aparato.
- 11) Utilice únicamente accesorios/especificaciones del fabricante.

12) Desenchufe este aparato durante tormentas eléctricas o cuando no se utilice durante largos períodos de tiempo.

13) Remita todas las reparaciones al personal de servicio técnico cualificado. El servicio técnico es necesario cuando el aparato haya sido dañado de alguna manera, como en el caso de que el cable o enchufe de corriente estén dañados, se haya derramado líquido dentro del aparato, el aparato haya estado expuesto a la lluvia o humedad, no funcione normalmente o haya caído.

14) Para desconectar completamente este aparato de la corriente, desconecte el enchufe del cable de alimentación de la toma de corriente.

15) El enchufe principal del cable de alimentación deberá ser fácilmente operable. Solo se usará el enchufe de 3 clavijas en el Reino Unido y en Singapur.

Advertencia

Para reducir el riesgo de incendio o descarga eléctrica, no exponga este aparato a la lluvia o humedad.

Precaución

Cualquier cambio o modificación no aprobado por Transparent Sound AB anulará la garantía del usuario.

Símbolos

Precaución: Para prevenir el riesgo de descarga eléctrica, no retire la cubierta (o parte posterior). No hay piezas reparables por el usuario en su interior. Remita el servicio técnico de personal calificado.

Este aparato no debe ser tratado como residuo doméstico regular. La gestión de RAEE (residuos de aparatos eléctricos y electrónicos) es aplicable en los Estados miembros de la Unión Europea y en otros países europeos con políticas nacionales individuales sobre la gestión de RAEE. Si necesita más información sobre sistemas de recolección, reutilización y reciclaje, por favor contacte a su administración de residuos local o regional.

El producto cumple con las siguientes Directivas Europeas:

- Directiva de Requisitos de Diseño Ecodiseño para Productos Relacionados con la Energía (CE) 278/2009
- Directiva de Equipos de Radio (RED) 2014/53/UE
- Directiva de Baja Tensión (LVD) 2014/35/UE

• Norma de Seguridad para Equipos de Tecnología de la Información y Equipos de Audio y Video. Conformata a UL62368-1 para América del Norte y certificado para IEC62368-1 de Canadá.

El producto cumple con RoHS (Directiva de Restricción de Sustancias Peligrosas) 2011/65/UE y 2015/863/UE (RoHS 3)

Requisitos de Interferencia de Radiofrecuencia - FCC

Este dispositivo cumple con la Parte 15 de las Reglas de la FCC.

La operación está sujeta a las siguientes dos condiciones:

- (1) Este dispositivo no puede causar interferencia perjudicial y
- (2) Este dispositivo debe aceptar cualquier interferencia recibida, incluyendo interferencia que pueda causar un funcionamiento no deseado.

NOTA: Este producto ha sido probado y se ha encontrado que cumple con los límites de un dispositivo digital de Clase B, de acuerdo con la Parte 15 de las Reglas de la FCC. Estos límites están diseñados para proporcionar una protección exigida contra interferencias perjudiciales en una instalación residencial. Este producto genera, utiliza y puede radiar energía de radiofrecuencia y, si no se instala y utiliza de acuerdo con las instrucciones, puede causar interferencias perjudiciales en las comunicaciones por radio. Sin embargo, no hay garantía de que no ocurran interferencias en una instalación en particular. Si este producto causa interferencias perjudiciales en la recepción de radio o televisión, lo cual se puede determinar apagando y encendiendo el equipo, se recomienda que el usuario intente corregir la interferencia mediante una o más de las siguientes medidas:

- Reorientar o reubicar la antena receptora.
- Aumentar la separación entre el equipo y el receptor.
- Conectar el equipo a una toma de corriente en un circuito diferente al que está conectado el receptor.
- Consultar al distribuidor o a un técnico de radio/TV experimentado para obtener ayuda.

Por favor, tenga en cuenta que los cambios o modificaciones que no estén expresamente aprobados por la parte responsable del cumplimiento podrían anular la garantía del equipo.

Según las regulaciones de "Industry Canada", este transmisor de radio solo puede operar utilizando una antena de un tipo y ganancia máxima (o menor) aprobados para el transmisor por "Industry Canada". Para reducir posibles interferencias de radio en otros usuarios, el tipo de antena y su ganancia deben elegirse de manera que la potencia radiada isotrópica equivalente (e.i.r.p.) no sea mayor de lo necesario para una buena comunicación.

El producto cumple con la aprobación de seguridad y compatibilidad electromagnética (EMC) para productos eléctricos vendidos en el mercado japonés. La ley aplicable es la Ley DENAN (Ley de Seguridad de Aparatos y Materiales Eléctricos) de Japón.

Comisión de Comunicaciones de Corea: indica el cumplimiento de los requisitos de seguridad de productos de Corea para equipos eléctricos y electrónicos, y es emitida por un organismo de certificación con sede en Corea que ha sido aprobado por la Asociación de Normas de Corea.

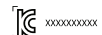
Marcado de Conformidad del Reino Unido (UKCA, por sus siglas en inglés): es una marca de conformidad que indica el cumplimiento de los requisitos aplicables para productos vendidos en Gran Bretaña (Inglaterra, Escocia y Gales).

El marcado UKNI es una marca de conformidad para productos puestos en el mercado en Irlanda del Norte que han sido sometidos a una evaluación de conformidad obligatoria de terceros por un organismo notificado.

IEC 60417: Para identificar equipos eléctricos diseñados principalmente para uso en interiores.

Este producto cumple con:

ETLus: UL62368-1
FCC SDOC: FCC PART15B
IC: ICES-003
CE-LVD: EN62368-1
CE-EMC: EN55032 + EN55035 + IEC EN61000-3-2 + IEC EN61000-3-3
UKCA: BS EN62368-1 + BS EN55032/35 + BS EN61000-3-2/3
PSE: J62368



Transparent Turntable (以下、ターンテーブル)は、高品質のレコードプレーヤーです。強化ガラスの台座とダストカバーで構成され、ほとんどの構造部品はアルミニウムで作られています。これらの頑丈な素材は、長期間にわたって信頼性の高い再生を保证するための剛性構造を提供します。

ベルト駆動のモーター・システムは、長期間にわたって安定した再生を保证する信頼性の高い方法であり、再生を微調整するための精密なスピード・コントロールとトラッキング・コントロールが備わっています。

当社は、独自のカスタム・ヘッドシェルを備えたトーンアームを開発しました。このヘッドジェルは、標準的な取り付け穴を持つあらゆる可動マグネット・カートリッジに対応します。ヘッドジェル自体も標準的なSMEコネクタによってモジュール化されています。

トーンアームは、特注のアルミニウム製トーンアーム・グリップ、リフティング・レバー、クリップで操作します。

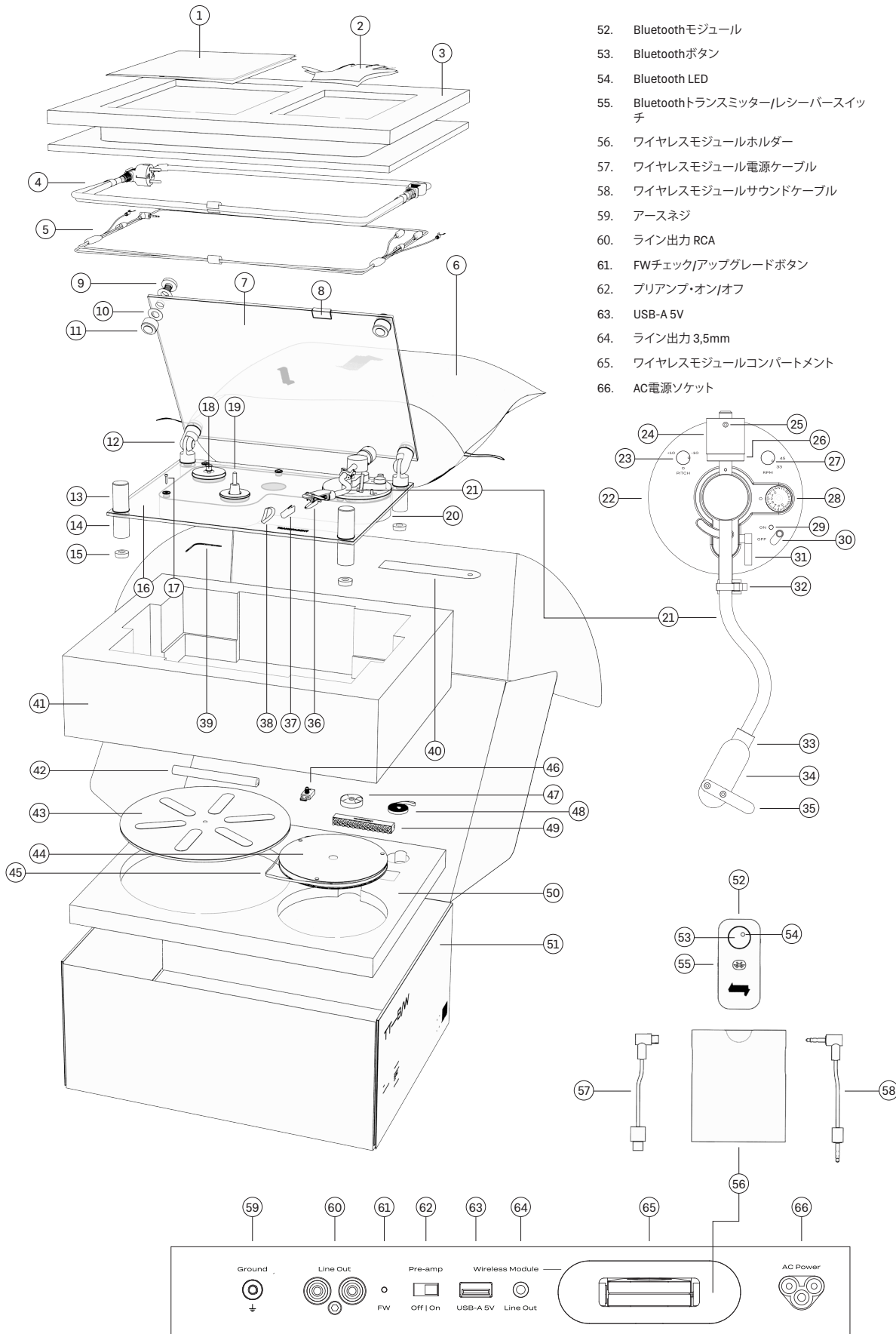
ターンテーブルにはプリアンプが内蔵されています。そのため、別のアンプを必要とせず、最新の(アクティブ)ラウドスピーカーに直接接続して再生することができます。外部アンプを使用したい場合は、プリアンプのオン/オフスイッチも備わっています。ターンテーブルにはもちろんミュージック・ケーブルが付属していますが、ターンテーブルのタイムレスな機能を保持するため、ワイヤレス・モジュール用のコンパートメントも開発しました。第一世代のターンテーブルにはBluetooth™モジュールがプリインストールされており、レコードをワイヤレス再生で楽しむことができます。このコンパートメントは、将来のニーズにも対応し、アップグレードが可能です。

完全にモジュール化されたデザイン、高品質な作り、アップグレード可能なこの製品の性質は、TRANSPARENTの循環型デザイン哲学の一部です。それは、すべての原材料がどこから来たのかだけでなく、製品が今後長期間にわたって関連性を維持するための計画でもあるのです。

部品

1. ユーザーマニュアル
2. 手袋
3. 上部の緩衝材
4. 電源ケーブル
5. ミュージック・ケーブル (RCA)
6. 製品袋
7. ダストカバー
8. フィンガーグリップ
9. 柱ネジ x4
10. ワッシャー x16
11. 上部の支柱 x2
12. ヒンジ支柱 x2
13. フロント支柱 x2
14. ボトム支柱 x4
15. ゴム足 x4
16. 台座
17. ネジ
18. モーターブリー
19. スピンドル
20. Eボックス
21. トーンアーム
22. トーンアームベースプレート
23. 精密速度/ピッチノブ
24. トーンアームカウンターウェイト
25. カウンターウェイト止めネジ
26. カウンターウェイトダイヤル
27. 回転数設定ノブ
28. アンチ・スケーティング・ノブ
29. LED
30. オン/オフスイッチ
31. トーンアーム昇降レバー
32. トーンアーム・クリップ
33. ヘッドシェルマウント
34. ヘッドシェル
35. トーンアーム・グリップ
36. カートリッジ
37. カートリッジカバー
38. ゴムバンド
39. 組立工具(六角レンチ/六角キー)
40. カートリッジ調整工具
41. ミドルバフパー
42. クロス
43. ブラッター
44. サブブラッター
45. ゴムベルト
46. USB アースアダプター
47. 45回転アダプター
48. 予備のゴムベルト
49. レコードブラシ
50. ボトムバフパー
51. 包装

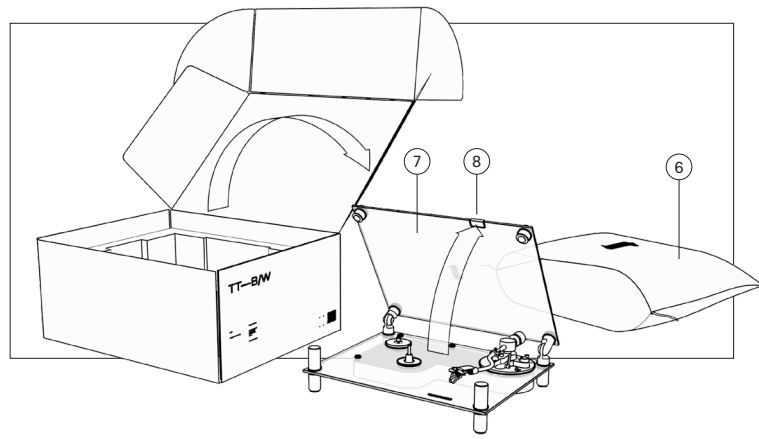
52. Bluetoothモジュール
53. Bluetoothボタン
54. Bluetooth LED
55. Bluetoothトランスミッターレシーバースイッチ
56. ワイヤレスモジュールホルダー
57. ワイヤレスモジュール電源ケーブル
58. ワイヤレスモジュールサウンドケーブル
59. アースネジ
60. ライン出力 RCA
61. FWチェック/アップグレードボタン
62. プリアンプ・オン/オフ
63. USB-A 5V
64. ライン出力 3,5mm
65. ワイヤレスモジュールコンパートメント
66. AC電源ソケット



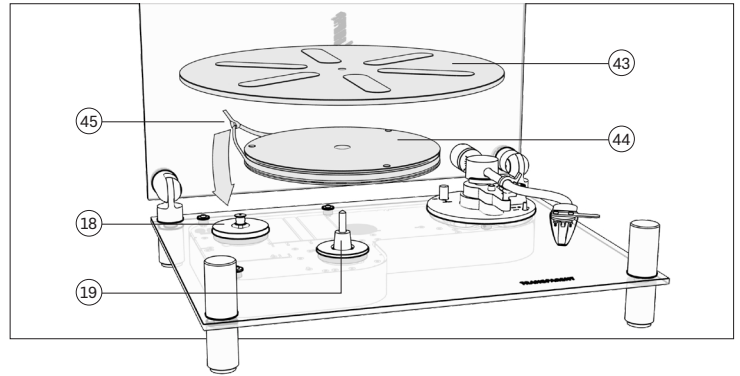
ユーザーマニュアル

セットアップガイド

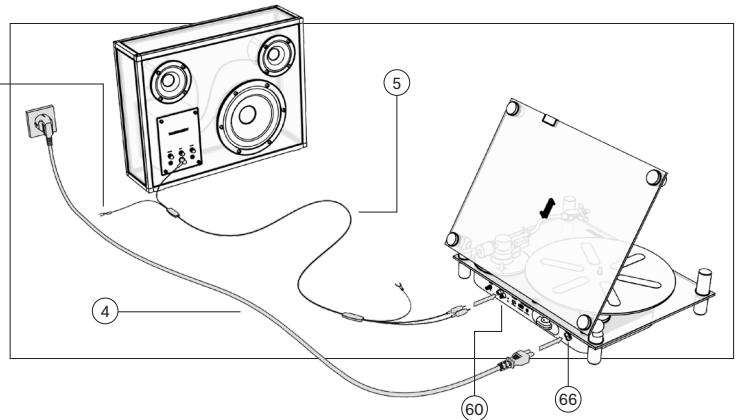
- ターンテーブルを使用するスピーカーの近くで開梱します。ターンテーブルを置くのに十分な平らな面と、近くにコンセントがあることを確認してください。
- 箱を開けます。
- 手袋(2)を着用します。上部の緩衝材(3)をすべて取り出し、とりあえず保管しておきます。
- ターンテーブルを梱包から持ち上げます。
- 製品袋(6)を開け、開口部をフロント支柱の上にそっと引き、ターンテーブル全体が見えるように後方に引っ張ります。
- ダストカバー(7)をフィンガーグリップ(8)で開けます。



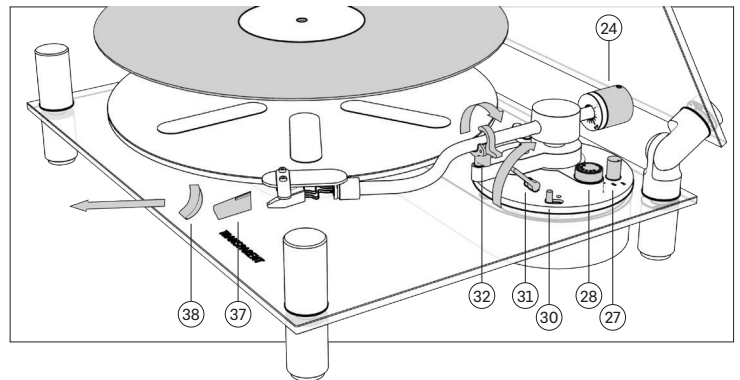
- 梱包からサブプラッター(44)を取り出します。
- サブプラッターをスピンドル(19)の上に、3つのラバードットが上を向くように置きます。
- サブプラッター側のゴムベルト(45)を押さえている紙製フラッグをつまんで、モータープリー(18)の上に引っ張り、紙製フラッグを取り外します。
- メインプラッタ(43)を6本のゴムベルトが上向きになるように載せます。



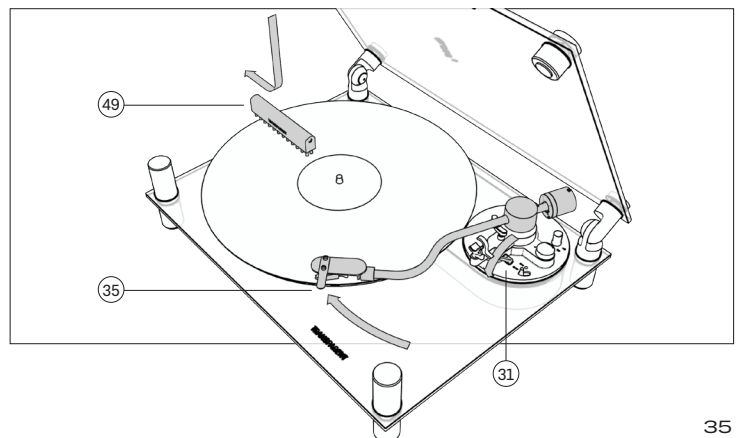
- 電源ケーブル(4)をターンテーブル裏側のAC電源ソケット(66)に接続します。反対側をコンセントに接続します。
- ミュージックケーブル(5)のミニジャックをスピーカーまたはアンプの「ライン入力」に接続し、ケーブルのRCA側をターンテーブル裏面のRCAライン出力ソケット(60)に接続します。必ず白いプラグは白いコネクタに、赤いプラグは赤いコネクタに接続してください。
- サウンドケーブルのY字型アース線 (Small Transparent Speaker) に必要) については、36ページをご参照ください。
- 2台のスピーカーで再生する場合は36ページをご覧ください。
- Bluetoothで再生する場合は36ページをご覧ください。
- スピーカーの電源が入っており、音量が50%以上になっていることを確認してください。
- ターンテーブル背面のプリアンプスイッチ(62)が「オン」になっていることを確認してください。外部アンプを使用する場合は、プリアンプスイッチをオフの位置にします。
- 次にターンテーブルを設置したい場所に置きます。ターンテーブルを持ち上げたり移動したりする際は、手袋を使用し、常にダストカバーを開けておくことをお勧めします。
- ターンテーブルの下に凹凸がある場合は、通常のマイナスドライバーを使ってゴム足(15)の水平を調整することができます。



- トーンアーム・カウンターウェイト(24)は事前に調整した状態で出荷されるため、ウェイトを設定する必要はありません。トラッキングフォースの校正方法については、37ページを参照してください。
- 出荷時にカートリッジカバー(37)を固定しているゴムバンド(38)を外します。カートリッジカバーも取り外します。
- お気に入りのレコードをプラッターに置きます。
- オン/オフスイッチ(30)をオンにします。
- 回転数設定ノブ(27)が33RPMの位置にあることを再確認します(これが最も一般的なレコード速度です)。シングルを45RPMで再生する場合は、36ページをご参照ください。
- アンチ・スケイティングノブ(28)が2の位置にあることを再確認してください。アンチスケイティングの設定については、37ページをご参照ください。
- トーンアーム・クリップ(32)を外します。
- トーンアーム昇降レバー(31)を持ち上げて、トーンアームを持ち上げます。



- トーンアームグリップ(35)をつまんでトーンアームを動かし、カートリッジの針をレコードの最初のエッジの上に置きます。この時点でレコードは回転を始めているはずですが。
- レコードにゴミやホコリが付着している場合は、レコードブラシ(49)を使ってレコードを清掃してください。レコードが回転し、トーンアームが上向きになっている間に、ブラシをレコードの左側に下ろし、レコードの全トラックを同時に掃除します。ブラシを前後に動かす必要はなく、レコードが回転するときにゴミを受け止めてから、レコードから移動させるだけです。
- トーンアーム・レバー(31)を下げて、トーンアームを下げます。
- これで音楽が聞こえるはずです。必要であれば、ピッチノブ(23)でスピードを微調整してください。スピーカーの音量を調整し、その瞬間をお楽しみください。



- レコード再生が終わるとモーターが停止します。演奏が終わったら、まずトーンアーム・レバーを持ち上げます。トーンアームグリップをつかみ、トーンアームを元の位置に戻します。トーンアーム・クリップをラッチします。フィンガーグリップでダストカバーを閉じます。

ダストカバー

ダストカバーを開閉する際は、ガラスを汚さないよう、必ずフィンガーグリップ(8)を使用してください。レコードの再生中または使用しないときは、ホコリを防ぐためにカバーを下げてください。ヒンジの力が強すぎたり、時間の経過とともに緩く感じた場合は、Eボックスの底に付いている組立工具(39)を使い、ヒンジのネジを締めて好みのヒンジの強さに調整してください。ターンテーブルを逆さまにする場合は、すべてのプラッターを取り外し、手袋を使用することを忘れないでください。何らかの理由でダストカバーなしでターンテーブルを使用したい場合は、指だけで分解できます。

- 上部にある4本の支柱ネジ(9)を外し、ダストカバーと2本の支柱(11)を取り外します。
- フロントピラー(13)2本とヒンジピラー(12)2本のネジを外し、保管します。
- 4本の支柱ネジを、今度は台座を通して下の支柱(14)に取り付けます。ガラスを保護するため、それぞれワッシャー(10)を入れてください。

フロントピラーとトップピラーの位置がずれている場合は、次の手順を実行してください。

- 2つの上部支柱のネジを緩め、2つの前面ピラーと揃うように上部の支柱の位置を調整し、再度ネジを締めます。必要に応じて、フロント支柱にもこの手順を繰り返します。

速度設定

ほとんどのレコードは33 1/3 RPMを使用しているため、これがデフォルトの速度設定です。一部のレコード(小型のレコードやシングルに多い)には45 RPMが使用されています。この場合、付属の45 RPMアダプター(47)を使用してレコードをセットし、RPM設定ノブ(27)を45に変更してください。音楽再生速度をさらに微調整する必要がある場合は、精密速度/ビッチ・ノブ(23)を使用できます。

ケーブルを介してSmall Transparent Speakerで再生する / グラウンド・ノイズの回避

ターンテーブルのピックアップは繊細なデバイスであり、様々な状況で望ましくないノイズを拾う可能性があります。それは、様々なスピーカーの内部電子部品のアースやシールドに依存することがあります。Small Transparent Speakerの下側の「ライン入力」ソケットは、ターンテーブルからの再生時に不要なグラウンドノイズを発生することがあります。当社はこれに対処する方法を開発しました。RCAケーブル(5)の両端には、小さな「Y字型」のアースフォークが付いた小さなアース線が付いています。このフォークを両側のアースネジ(59)に取り付けるようになっていきます。まずRCAケーブルをターンテーブルのRCA「ライン出力」(60)に差し込み、Small Transparent Speakerを横にしてコネクタを上に出させ、ミニジャックをSmall Transparent Speakerの「ライン入力」に差し込みます。ターンテーブル側のアースネジはRCA「ライン出力」の左側にあります。指を使い、フォークをアースネジにねじ込みます。スピーカー側では、USB アースアダプター(46)をUSBソケットに挿入し、フォークをアースネジの所定の位置にねじ込みます。これで、通常の手順に従ってレコードも再生を開始できます。

注意: Small Transparent Speakerのフロント「ライン入力」ソケットで再生する場合、またはTRANSPARENT SPEAKERで再生する場合は、アース線フォークやUSBアース・アダプターを使用する必要はありません。

ケーブルで2台のスピーカーで再生する

すべてのTransparent Speakerにはサウンドケーブルが付属しています。このケーブルは、ターンテーブルの3.5mm「ライン出力」ソケット(64)から、Transparent Speakerの背面または前面(モデルによる)にある3.5mm「ライン入力」ソケットに接続して使用します。2台目のスピーカーをRCAケーブルで接続し、同時再生することができます。片方のスピーカーがSmall Transparent Speakerの場合、上記のUSBアース・アダプター(46)の使用手順をご参照ください。2台のSmall Transparent Speakerで再生する場合は、アース線付きのRCAケーブル(5)を底面の「ライン入力」に、Small Transparent Speaker付属のミュージックケーブルを2台目のスピーカーの前面の「ライン入力」ソケットに接続することをお勧めします。TRANSPARENT SPEAKERまたはSmall Transparent Speakerの左/右チャンネル選択については、それぞれのユーザーマニュアルをご参照ください。

注意: 従来のラウドスピーカーで再生する場合は、ターンテーブルのRCA「ライン出力」(60)から、すでに(バッシブ)スピーカーが接続されている既存のアンプの「ライン入力」にRCAケーブルを使用することをお勧めします。この場合、ターンテーブル背面のプリアンプスイッチ(62)をオフにしてください。

Bluetoothで1台のスピーカーで再生する

Transparent Turntableは、市販されているほとんどのBluetoothスピーカーやヘッドホンと互換性があるはずですが、常にすべてのプロトコルと互換性を保証するものではありません。以下の説明ではTransparent Speakerとのペアリングを中心に説明します。注意: スピーカーとターンテーブルのペアリングにスマートフォンは必要ありません。

- ターンテーブルとスピーカーの両方の電源が入っていることを確認してください。
- Transparent Speaker (または他のBluetooth対応スピーカー)のBluetoothボタンを押します。
- ターンテーブルのBluetoothボタン(53)を押してください。ペアリングモード中はBluetooth LED (54)の点滅が速くなり、接続が確立されるとまた遅くなることに注意してください。接続を確認する効果音がスピーカーから聞こえます。

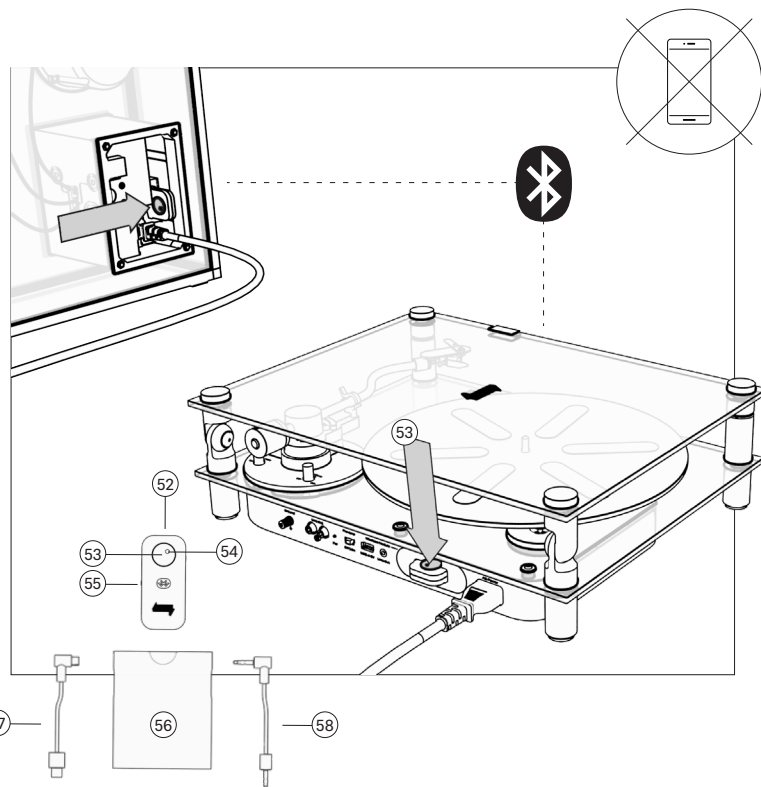
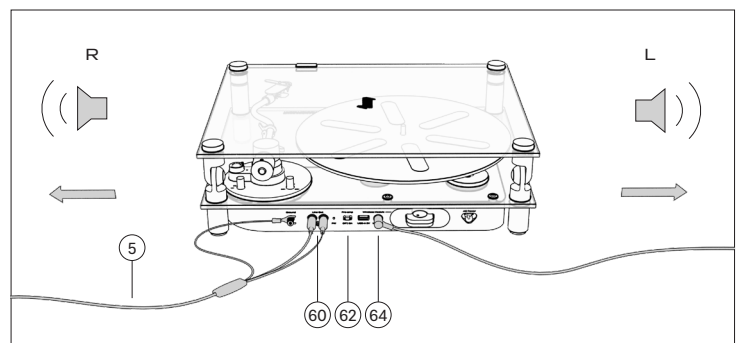
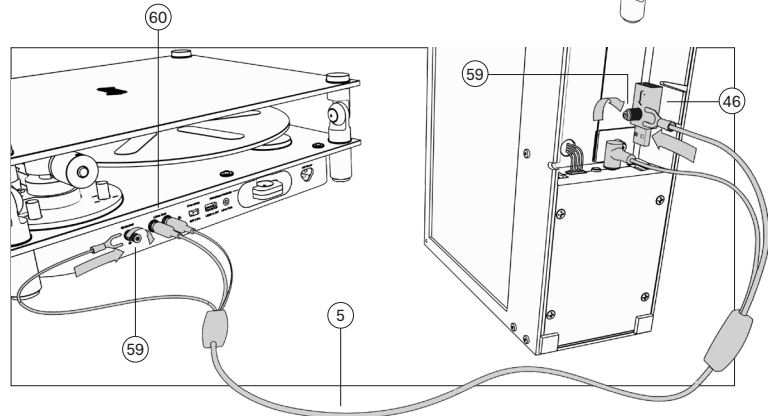
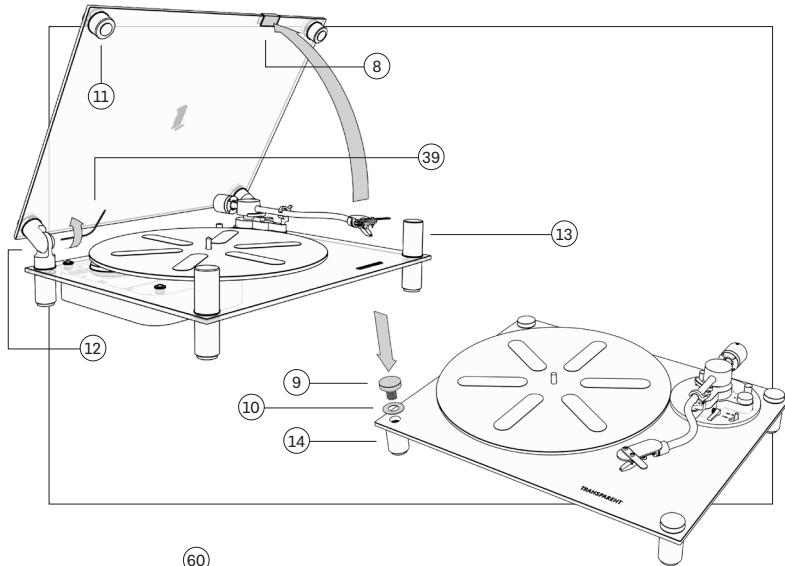
トラブルシューティング

- スピーカーとターンテーブルを十分に近づけてください。条件によっては数メートル以上離さないでください。
- 既にペアリング済みのスマートフォン、タブレット、パソコン、テレビなどのBluetooth設定で、Transparent Speakerの「デバイスの登録を解除」を選択してください。これは、ペアリング操作中にスピーカーがターンテーブル以外の機器に接続されるのを防ぐためです。
- スピーカーとターンテーブルのBluetoothボタンを、BluetoothのLEDが素早く点滅するまで長押し(通常+6秒または+10秒)して、出荷時設定にリセットしてください。
- スピーカー側のBluetoothモジュールが"Receiver" (STSではN/A)に、ターンテーブル側のBluetoothモジュールが"Transmitter" (55)に設定されていることを確認してください。
- ターンテーブルのBluetoothモジュールが実際にオンになっていることを確認してください。ボタンの赤いLEDがゆっくり点滅しているはずですが、そうでなければ(レコードと両方のプラッターを取り外し、手袋をはめた後)慎重にターンテーブルを裏返し、ワイヤレス・モジュール・コンパートメント(65)を調べて、コンパートメント内の両方のケーブル(57, 58)がターンテーブルとBluetoothモジュールの両方に確実に差し込まれていることを確認してください。

Bluetoothで2台のスピーカーで再生

Transparent Turntableは、市販されているほとんどのBluetoothスピーカーやヘッドホンと互換性があるはずですが、常にすべてのプロトコルとTrue Wirelessペアリングとの互換性を保証するものではありません。以下の説明では、Transparent Speakerとのペアリングを中心に説明します。

- スピーカーがスマートフォン、タブレット、ラップトップ、テレビなどとペアリングされている場合は、



Bluetoothメニューに移動し、「デバイスの登録を解除」を選択してください。次に、スピーカーのBluetoothボタンを長押ししてFWリセットを実行します。

- スピーカーとターンテーブルを同じ部屋に置き、お互いの距離が5m以内、できればもっと近くに配置してください。
- スピーカーとターンテーブルの両方の電源が入っていることを確認してください。
- 1台目のスピーカーのBluetoothボタンを長押しし、赤色LEDが点灯して「True Wireless ペアリングモード」コマンドが聞こえたら離します。次に、2台目のスピーカーで同じ操作を行います。
- ヒント: スマートフォンのBluetooth設定を開き、Bluetoothの新しいデバイスリストに両方のスピーカーが表示されるのを待ちます(ただし、画面上では選択しないでください)。
- 次に、ターンテーブルのペアリングボタンを押します(53)。
- これで接続は完了です。
- Small Transparent SpeakerまたはLight Speakerを2台、またはこれらを組み合わせて使用する場合は、それぞれ自動的に「左」または「右」チャンネルモードになります。それ以外の場合は、長押しで調整できます(スピーカー底面の説明を参照)。TRANSPARENT SPEAKERの場合は、背面パネルのスイッチで手動で選択します。

アンチスキューティング

トーンアーム(21)の先端にある小さな「針」または「スタイラス」は、レコードのV字型の溝から音楽の振動を拾います。V字の内側または「左」側には、音楽録音の左チャンネルの音波情報がすべて保持され、この溝の外側または「右」側には、その逆の情報が保持されます。トーンアームは自然にレコードの中心に近づこうとしますが、内側に強く引っ張ったり「スケート」したりすると、左チャンネル側を強く押しすぎてしまい、その結果、音楽の右チャンネルに歪みが生じます。このような現象が発生した場合は、アンチスキューティングノブ(28)のアンチスキューティングの力を強くすることで、スタイラスの内側への「スキューティング」を軽減できます。逆に、音楽の左チャンネルが歪んで聞こえる場合は、アンチスキューティングの力を弱めます。目的は、スタイラスがV字溝の真ん中を通るようにすることです。ターンテーブルのアンチスキューティングの初期設定は2です。

垂直追従力/トーンアーム・カウンターウェイト・キャリブレーション

ターンテーブルには、調整済みのトーンアーム・カウンターウェイト(24)が付属しています。必要な場合は、以下の手順に従ってください。

- ダストカバーを開け、組立工具(39)を使用してカウンターウェイト止めねじ(25)を緩めます。
- トーンアーム・クリップ(32)を外しますが、トーンアーム昇降レバー(31)は下げたままにしておきます。
- カウンターウェイトを指でつかみ、トーンアームが静止位置から持ち上がるまで外側にねじ込みます。
- トーンアームをレコードの上で内側に回転させます。完全にバランスの取れたトーンアームが見えるまで、カウンターウェイトをゆっくりとねじ込みます。完全に水平である必要はありませんが、上下に動かさず宙に浮いている必要があります。しばらく時間を置いて、完全にバランスの取れた位置が見つかったら、回転可能なカウンターウェイトダイヤル(26)をそっと握り、0の位置まで回します。残りのウェイトが回転しないようにするため、もう片方の手でウェイトを所定の位置に固定する必要があります。
- カートリッジの推奨トラッキング力を確認してください。例えばOrtofon OM5Eの場合は1,75gで、OrtofonのWebサイトやユーザーマニュアルに記載されています。通常は2g程度ですので、困った場合はこの設定をお勧めします。
- 次に、カウンターウェイト全体(ダイヤルを含む)を、ご使用のカートリッジの推奨トラッキング力に合わせます。
- 最後に止めねじの一つを締め、調整されたカウンターウェイトの位置を固定します。

カートリッジの交換

通常、カートリッジ(36)はあらかじめ取り付けられています。そうでない場合は、トーンアーム・グリップ(35)にある2本の取り付けネジを使用して、カートリッジをアルミニウム製ヘッドシェル(34)に取り付けます。標準的なハーフインチ取り付け穴のあるカートリッジはすべて取り付け可能です。

以下のように、カートリッジ・ケーブルを接続します。

白: 左チャンネル L+
赤: 右チャンネル R+
緑: 右チャンネル R
青: 左チャンネル L

カートリッジ調整ツールを使用して、新しいカートリッジをレコード全体に沿って調整します(以下の手順)。

スタイラス(針先)の交換

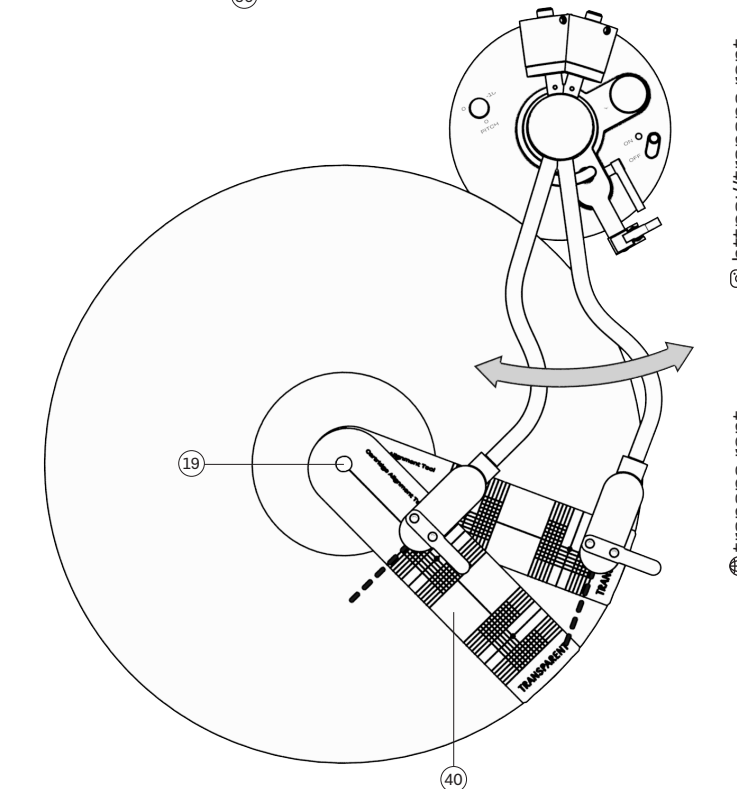
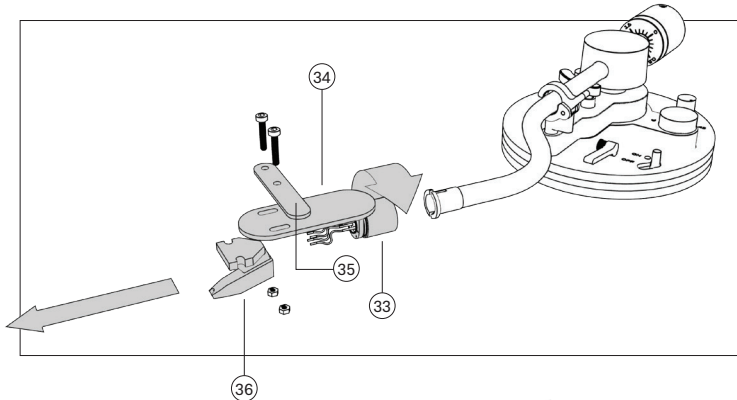
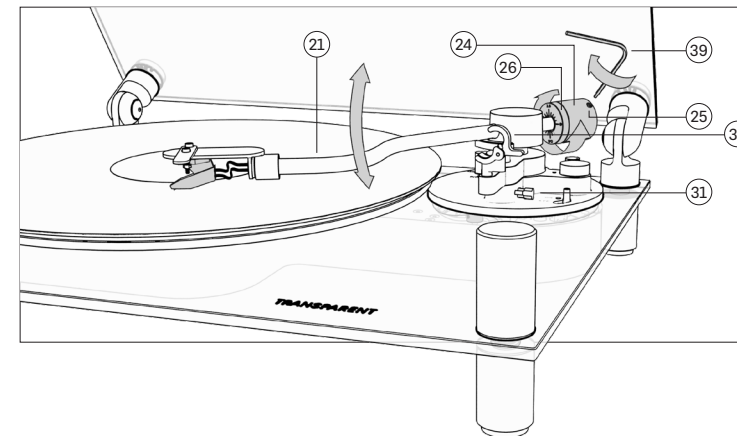
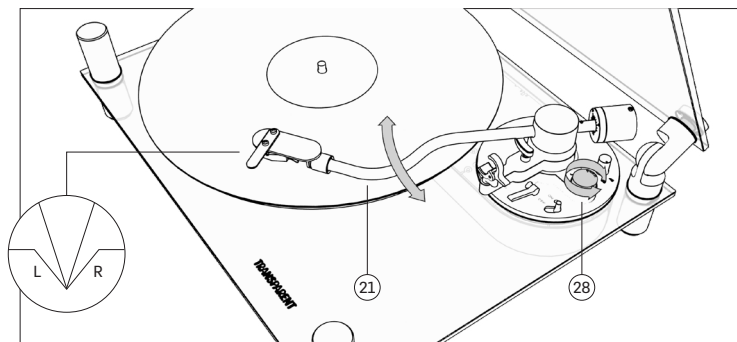
スタイラスはカートリッジの前面部分です。スタイラスが傷んだり磨耗したりした場合、レコード・コレクションに悪影響を及ぼす可能性があるため、交換する必要があります。カートリッジからスタイラスを抜き取る前に、スタイラスの保護材を取り外し、新しいものと交換してください。プレミアムカートリッジOrtofon OM5E用の交換用スタイラスタイプは「Stylus OM5E」です。Ortofon OM5Eのスタイラスだけを交換する場合、通常カートリッジの再調整やトラッキングフォースの再調整は必要ありません。

ヘッドシェルの交換

別のヘッドシェル(34)を使用する場合は、ヘッドシェルマウント(33)のネジを外し、ヘッドシェルを外側に引いて外します。別のSMEコネクタ互換ヘッドシェルを挿入し、指で所定の位置へねじ込み、カートリッジ調整ツールを使用して、レコード全体に沿って調整を行います(手順は以下を参照)。

カートリッジの調整

- まず、Eボックスの底面からカートリッジ調整ツール(40)を取り出します。
- 調整中にターンテーブルが動かないようにするため、ターンテーブルブラッターの外縁の下に小さな厚紙のくさび(または同様のもの)を置きます。
- ターンテーブルにレコードを置きます。
- トーンアーム・クリップのラッチを外します。
- トーンアーム昇降レバーを上位置まで持ち上げます。
- カートリッジのネジを少し緩めて、調整できるようにします。
- ヘッドシェル内でカートリッジを前後に動かして、ヘッドシェルで推奨されているオーバーハングポイントスタイラスの先端を置きます。推奨されるオーバーハングがない場合は、カートリッジをヘッドシェルの中央に置いてください。
- トーンアームのバランスをとり、一時的に1グラムのトラッキング力を加えます。
- アライメントツールの穴をターンテーブル・スピンドル(19)の上に滑らせ、アライメントツールをレコードのスタイラスが当たる部分に置きます。
- 内側(レコードの中央付近)のアライメントポイント: トーンアームレバーを下げ、スタイラスの先端がツール上の内側スタイラス先端の印にかかるようにします。カートリッジ本体の側面がツールの基準線と平行になっていない場合は、トーンアームのレバーを上げ、分度器の基準線と平行になるように、上部の2本のネジでカートリッジ本体の位置を調整します。



- 外側のアライメントポイント:アライメントツールの外側のスタイラス先端のマークに対して、この手順を繰り返します。
- カートリッジ本体が両ポイントで平行になるまで、または可能な限り平行に近くなるまで、両ポイントでこの手順を繰り返します。カートリッジが1点でしか平行にならない場合は、内側の点(レコードの中心に近い点)を選択します。
- 調整が完了したら、カートリッジ取り付けネジをしっかりと締めてください。
- 最後に、トーンアーム・カウンタースウェイトの正しいトラッキング力をリセットしてください。

メンテナンス

レコードプレーヤーの定期的なメンテナンスはほとんど必要ありません。付属のクロス(42)を軽く湿らせ、優しくホコリを取り除いてください。乾いた布は静電気が発生し、より多くのホコリを寄せ付けるため、絶対に使用しないでください。静電気防止用のクリーニング液は専門店で購入できますが、ゴム部品への損傷を避けるため、控えめに塗布してください。損傷を避けるため、クリーニングやメンテナンスを行う前にカートリッジカバー(37)を装着することをお勧めします。プレーヤーを長期間使用しない場合は、ゴムベルト(45)を取り外して不均等な伸びを防ぐことができます。安定した再生を維持するために、1~2年ごとにゴムベルトを交換することをお勧めします。古くなったゴムベルトはお湯で茹でると少し縮み、強度を取り戻すことができます。

FWバージョン/FWアップグレード

ターンテーブル エレクトロニクスのファームウェア (FW) は、時間の経過とともに更新されることがあります。

背面の FW ボタン (61) をクリックすると、FW バージョンを確認できます。すると、トーンアーム・ベースの LED が、FW バージョンを示す点滅を繰り返します。バージョン 01 は 1 回点滅し、バージョン 02 は 2 回点滅といった具合です。

TRANSPARENT のサポートチームと連絡を取り、新しい FW ファイルを受け取り、それを USB-A スティックに保存している場合:

- ターンテーブルの電源を入れ、USB スティックを背面の USB-A ソケット (63) に挿入します。
- FW ボタンを押し続けます。LED が点滅し始めたらボタンを離します (約 5 秒後)。これで新しい FW バージョンがターンテーブルにアップロードされます。
- 重要: FW アップグレード中はターンテーブルの電源を切らないでください。
- LED の点滅が止まったら、USB メモリーを取り出し、新しい FW バージョンを確認することができます。

ハードウェアのアップグレード

TRANSPARENT は、循環型デザインの理念に基づいています。その重要な部分は、主要な製品が時代遅れにならないように、テクノロジーの進化に合わせて時間の経過とともにアップグレード及び改善できるように、将来のあらゆるシナリオを想定して製品を準備することです。

すでに説明したカートリッジとヘッドシェルを除けば、第一世代のターンテーブルが出荷されてから数年後に、新しいワイヤレス・モジュールが必要になる可能性はかなり高いでしょう。ワイヤレスモジュールコンパートメント (65) には、Bluetooth モジュール (52) を保持するシリコンホルダー (56) があります。

新しいワイヤレスモジュールにアップグレードしたい場合は、TRANSPARENT がアップグレードを提供している可能性があります。TRANSPARENT の WEB サイト (<https://transpa.rent>) にアクセスしアップグレードを探してください。TRANSPARENT からアップグレード版を購入した場合、新しいシリコンホルダーと新しいケーブルが付属している可能性があります。この場合、シリコンホルダーごと取り出して、新しいシリコンホルダーを挿入するだけです。この操作中にケーブルが正しく差し込まれていることを確認してください。また、USB 5V で給電し、「ライン入力」ソケットを備えたサードパーティ製のワイヤレストランスミッターもあるかもしれません。サードパーティ製モジュールをコンパートメントに固定するために、両面パッドなどを使用してみてください。

分解

Transparent Turntable は、完全にモジュール化された設計になっています。修理やアップグレードが必要な場合は、E ボックスの底面に取り付けられている組立てツール (39) を使用して行うことができます。ターンテーブルのすべてのネジは、このツールのどちらの端でも操作できます。

分解作業を始める前に、電源ケーブルと音楽ケーブルを外してください。ダストカバーの項で説明したように、ヒンジと支柱は手で分解できます。この後、組立ツールを使って残りの部品を取り外すことができます。

重要: 専門的な経験があるか、TRANSPARENT のサポートチームによる指導がない限り、E ボックスを開けることはお勧めしません。デリケートな部品を破損したり、電源ケーブルが接続されたままだと感電の危険性があります。

すべての分解作業はおお客様の責任において行われ、いかなる保証も無効となります。

リサイクル

必要に応じて、Transparent Turntable は完全に分解して個々の材料にすることができます (回路基板を除き、本稿執筆時点ではまだハンダ付けが必要です)。古くなったり壊れたりした部品を廃棄しなければならない状況に陥った場合は、お住まいの地域の廃棄物処理施設でリサイクルするようにしてください。

保証

TRANSPARENT は標準で2年間の保証を提供していますが、各代理店が定める保証条件と現地の法律が優先されます。詳しくはお近くの販売または、<https://transpa.rent> までお問い合わせください。

トレーサビリティをスキャンする

QR コードステッカーをスキャンしてください。あなたの Transparent Turntable には固有のシリアルナンバーがあり、オンラインで製品固有の情報を見ることができます。あなたのターンテーブルのトレーサビリティをさらに詳しく調べるためのインタラクティブな CO2 影響ツールが見つかるかもしれません。アップグレードやサービスについて、製品や世代に特化したアドバイスが見つかるかもしれません。

サービスとサポート

ご質問はメール (support@transpa.rent) にてお問い合わせください。

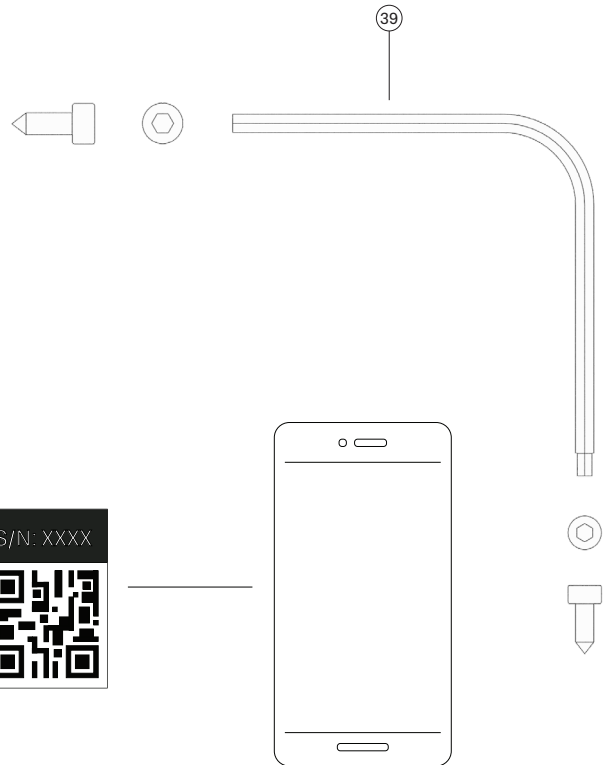
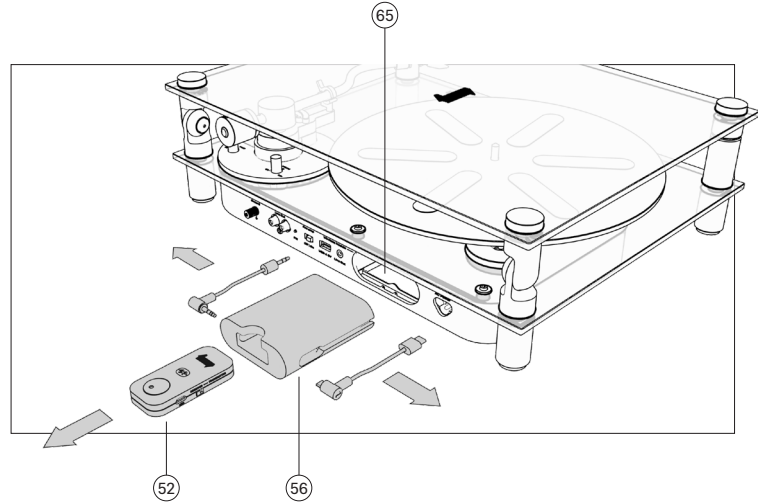
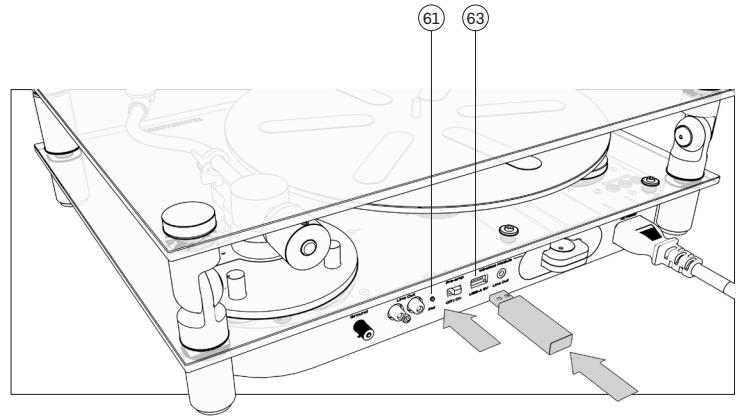
連絡先

Transparent Sound AB
Döbelnsgatan 17
113 52 Stockholm
Sweden

<https://transpa.rent>

38

Designed and developed by Transparent™ | Stockholm, Sweden



技術仕様

全般

公称速度: 33 1/4と45 RPM
 速度偏差: 33: ±0.70% 45: ±0.60%
 ワウフラッター: 33: ±0.25% 45: ±0.25%
 信号対雑音比: ≥ 70dB at 1kHz, 0dB A-weighted
 トラッキング力: 1.75g
 トーンアーム有効質量: 13.5g
 トーンアーム有効長: 220mm
 オーバーハング: 19.5mm
 最大消費電力: 15W
 外形寸法 (W×H×D): 410×125×320mm
 重量: 6.5kg
 梱包寸法 (幅×高さ×奥行): 580×240×460mm
 梱包重量: 7.0kg
 定格入力電圧: 100-240Vac, @ 50/60Hz.

MMフォノ・プリアンプ

ゲイン: 34dB +/- 2dB
 出力電圧: > 220mV/1kHz (5mV/1kHz入力時)
 入力インピーダンス: 47kΩ/100pF
 RIAA等化曲線精度: 20Hz-15kHz / 最大 2db.

Bluetooth 5 モジュール (ターンテーブル Gen1にブリンストール)

Bluetooth version: 5.0
 通常またはTrue Wireless (ステレオ) ペアリング
 光デジタルおよびアナログ信号用3.5mmポート
 5V電源用USBポート
 デュアルモード: 送信機(TX)と受信機(RX)の切り替え / ターンテーブルのデフォルトはTX
 チップ: クアルコムCSR8670C
 コーデック: aptX LL / SBC / MP3 / AAC
 レイテンシー 極めて低い<40ms
 完璧な信号伝送のための金メッキ接点
 複数のセットアップ・オプションと柔軟な使用
 マルチ設定可能なI2S、SPDIFインターフェース
 16ビット・ステレオ・コーデック内蔵-DAC 95dB SNR
 D/A変換16ビット/96 kHz
 A/D変換 16ビット/48 kHz
 温度範囲: 5 ~ +50 °C
 許容相対湿度: 5 ~ 90
 電圧供給 5V
 外形寸法(幅 × 高さ × 奥行き): 33 × 62 × 12 mm
 重量: 0.02 kg

MM カートリッジ Ortofon OM 5E

周波数範囲: 20-25,000Hz +3 / -3
 1000 Hz, 5 cm/秒での出力電圧: 4 mV
 1 kHzでのチャンネルバランス: 2 dB
 1 kHzでのチャンネル・セパレーション: 22 dB
 15 kHzでのチャンネルセパレーション: 15 dB
 推奨トラッキング力 (代表値) における315Hzでのトラッキング能力: 60 μm
 コンプライアンス、ダイナミック、ラテラル: 20 μm/mN
 スタイルスの種類: 楕円形
 スタイルス先端半径: r/R 8/18 μm
 トラッキング力範囲 1.5~2.0 g (15~20 mN)
 推奨トラッキング力: 1.75 g (17.5 mN)
 トラッキング角度: 20°
 内部インピーダンス、DC抵抗: 750オーム
 内部インダクタンス: 450 mH
 推奨負荷抵抗: 47 kΩ
 推奨負荷容量: 200~500 pF
 カートリッジ色、本体/スタイルス: ブラック/ブラック
 カートリッジの重量を含む追加重量: 5 g
 カートリッジ重量 (予備重量を除く): 2.5 g
 交換用スタイルスユニット: Stylus 5E
 OM 5Eは、バランスのとれた歪みのない再生を実現する楕円スタイルスを採用。楕円形ダイヤモンドは、その輪郭形状により、球形ダイヤモンドより正確に溝の振動に追従することができます。その結果、トラッキングが向上し、歪みが少なくなります。

素材

ガラス: 強化オプティホワイト
 アルミニウム: AL6061 - リサイクル率推定50%
 プラスチック: ABS VO+UV - リサイクル率100%
 紙とダンボール: 100%FSC認証
 製品バッグ: スパンレース
 包装緩衝材: EPE

重要な安全に関する注意事項

- この説明書をお読みください。
- この指示を守ってください。
- すべての警告に注意してください。
- すべての指示に従ってください。
- 本機を水の近くで使用しないでください。
- 軽く湿らせた付属の布のみを使用して掃除してください。
- 換気口を塞がないでください。メーカーの指示に従って設置してください。
- ラジエーター、ヒートレジスター、ストーブ、その他の熱を発する機器 (アンプを含む) などの熱源の近くに設置しないでください。
- 極性プラグやアース型プラグの安全上の目的を損なわないでください。極性プラグには2つのブレードがあり、一方は他方より幅が広い。接地型プラグには2つのブレードと3番目の接地突起があります。幅の広いブレードや第3の突起は、安全のために設けられています。付属のプラグがコンセントに合わない場合は、電気技術者に相談し、古くなったコンセントを交換してください。
- 電源コードは、特にプラグやコンセント、機器から出る部分で、歩いたり挟まれたりしないように保護してください。
- メーカーが指定した付属品やアクセサリのみを使用してください。
- 雷雨のときや長時間使用しないときは、電源プラグを抜いてください。

- 本機の修理は、資格を持つサービススタッフにご依頼ください。電源コードやプラグが破損している、液体をこぼした、物を落とした、雨や湿気にさらされた、正常に動作しない、落下したなど、本機に何らかの損傷がある場合は、修理が必要です。
- 本機を AC電源から完全に切断するには、電源コードプラグをACコンセントから抜いてください。
- 電源コードのメインプラグは、容易に操作できる状態にしておく必要があります。シンガポールでは3ピンUKプラグのみ使用可能です。

警告

火災や感電の危険を避けるため、本装置を雨や湿気にさらさないでください。

注意

Transparent Sound ABが承認していない変更または改造は、機器を操作するユーザーの権限が無効になる可能性があります。



シンボルマーク

注意: 感電の危険を防ぐため、カバー (または背面) を取り外さないでください。内部にユーザーが修理可能な部品はありません。有資格のサービス担当者に修理を依頼してください。

この電気機器は、通常の家廃棄物として処理できません。WEEE (廃電気電子機器) の管理は、欧州連合加盟国およびその他の欧州諸国で適用されます。回収、再利用、リサイクルシステムに関する詳細情報が必要な場合は、お住まいの地域または地方の廃棄物行政にお問い合わせください。

本製品は以下の欧州指令に準拠しています:
 エネルギー関連製品指令 (EC) 278/2009のエコデザイン要件
 無線設備指令 (RED) 2014/53/EU
 低電圧指令 (LVD) 2014/35/EU

ITEおよびAV機器の安全規格。北米向けUL62368-1に準拠し、カナダのIEC62368-1認証を取得しています。

本製品はRoHS (特定有害物質使用制限指令) 2011/65/EU & 2015/863/EU (RoHS 3) に準拠しています。

無線周波数干渉の要件 - FCC

本製品は FCC 規則の第 15 部に準拠しています。動作には以下の2つの条件が適用されます。本製品は、有害な干渉を引き起こす可能性はありません。本製品は、望ましくない動作を引き起こす可能性のある干渉を含め、受信した干渉を受け入れる必要があります。

注意: 本製品は、FCC規則のパート15に従い、クラスBデジタルデバイスの制限に準拠することがテストにより確認されています。本製品は、FCC 規則パート 15 に基づくクラスBデジタル機器の制限に準拠しています。本製品は、無線周波数エネルギーを発生、使用、放射する可能性があり、説明書に従って設置および使用されない場合、無線通信に有害な干渉を引き起こす可能性があります。ただし、特定の設置場所において干渉が発生しないことを保証するものではありません。本製品がラジオやテレビの受信に有害な干渉を引き起こす場合は、装置の電源を切ったり入れたりすることで判断できます。

ユーザーは、次の何れかの手段によって干渉を修正することをお勧めします。
 -受信アンテナの向きを変えるか、位置を変更します。
 -機器と受信機の距離を離す。
 -受信機が接続されている回路とは別の回路のコンセントに機器を接続します。
 -販売店または経験豊富なラジオ/テレビ技術者に相談してください。
 コンプライアンス責任者によって明示的に承認されていない変更または修正を行うと、ユーザーの操作権限が無効になる可能性があることに注意してください。

カナダ産業省の規制に基づき、この無線送信機は、その用途で承認されたタイプのアンテナと最大 (またはそれ以下) のゲインを使用しても動作することができません。他のユーザーへの電波干渉の可能性を低減するため、等価等方放射電力 (e.i.r.p.) が正常な通信に必要な値以下になるようにアンテナの種類とゲインを選択する必要があります。

本製品は、日本市場で販売される電気製品の安全およびEMC (電磁両立性) 認可に準拠しています。適用される法律は、日本の電気用品安全法です。

韓国通信委員会: 電気・電子機器に関する韓国の製品安全要求事項に準拠していることを示し、韓国規格協会の認可を受けた韓国の認証機関によって発行されます。

UK Conformity Assessed (UKCA) マークは、英国 (イングランド、スコットランド、ウェールズ) 内で販売される製品に適用される要求事項に準拠していることを示す適合マークです。

UKNI マークは、公的機関による必須の第三者適合性評価を受けた、北アイルランドで市場に投入される製品の適合マークです。

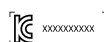
IEC 60417 : 主に屋内使用向けに設計された電気機器を識別します。

本製品は以下の規格に準拠しています。

ETLus: UL62368-1
 FCC SDOC: FCC PART15B
 IC: ICES-003
 CE-LVD: EN62368-1
 CE-EMC: EN55032 + EN55035 + IEC EN61000-3-2 + IEC EN61000-3-3
 UKCA: BS EN62368-1+BS EN55032/35 +BS EN61000-3-2/3
 PSE: J62368



RoHS

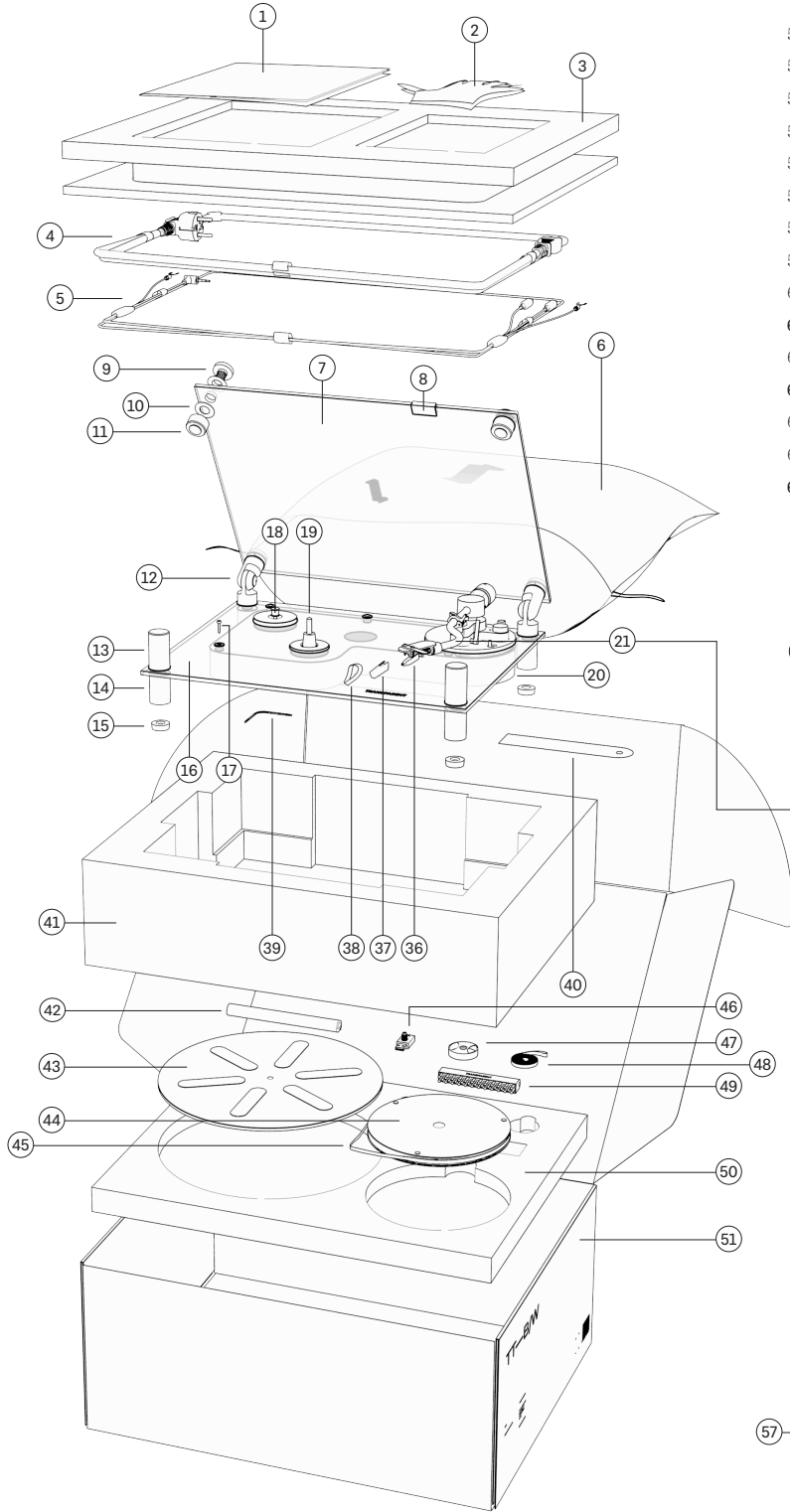




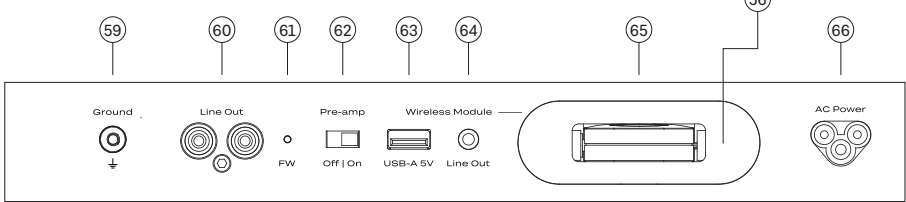
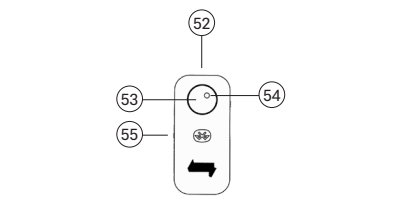
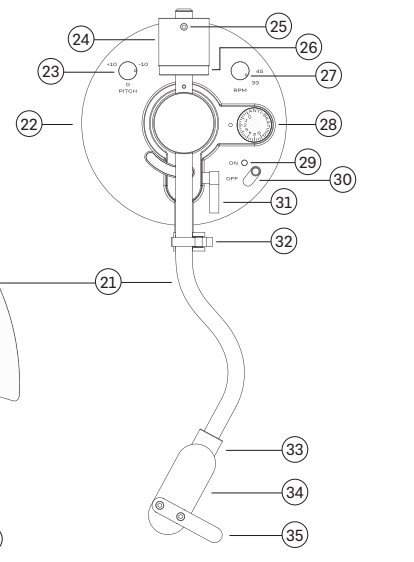
Transparent 턴테이블은 고품질의 비닐 레코드 플레이어입니다. 강화 유리로 만든 받침대와 먼지 덮개로 제작되었으며 대부분의 부품은 견고한 알루미늄으로 제작되어 안정적인 구조를 제공하며 시간이 지나도 훌륭한 음원 재생능력을 보장합니다. 벨트구동 모터 시스템은 오래전부터 안정적인 재생을 보장하는 방법이며 재생을 미세 조정하기 위한 정밀한 속도 및 제어 기능이 있습니다. 우리는 표준 규격의 어떤 이동 자석 카트리지도 지지할 수 있는 사용자 정의 헤드셀을 갖춘 자체 톤암을 개발했습니다. 뿐만 아니라 표준 SME 커넥터를 통해 모듈식으로 사용할 수 있습니다. 톤암은 맞춤형 알루미늄 톤암 그림, 리프팅 레버 및 클립으로 작동됩니다. Transparent Turntable에는 프리앰프가 내장되어 있습니다. 이는 별도의 장비 없이도 모든 최선(액티브) 스피커에서 직접 재생할 수 있음을 의미합니다. 외부 앰프를 사용하려는 경우는 물론 프리앰프 커기/끄기 스위치도 있습니다. Transparent Turntable에는 물론 음악 케이블이 함께 제공되지만, 턴테이블의 시대를 초월한 기능을 보장하기 위해 무선 모듈 수납공간도 개발했습니다. 1세대 Transparent Turntable에는 사전 설치된 Bluetooth™ 모듈이 함께 제공되므로 원하는 경우 무선 재생으로 비닐 레코드를 즐길 수 있습니다. 미래의 가전환경에 맞춰 적용하고 업그레이드할 준비가 되어 있습니다. 이 제품의 완전한 모듈식 디자인, 고품질 구축 및 업그레이드 가능한 특성은 Transparent의 지속가능 디자인 철학의 일부입니다. 모든 원자재가 어디서 나오든지에 관한 것뿐만 아니라, 제품이 앞으로 오랫동안 관련성을 유지할 수 있도록 하는 계획에 관한 것입니다.

부속

1. 사용자 매뉴얼
2. 장갑
3. 상단 버퍼
4. 전원 케이블
5. 뮤직 케이블(RCA)
6. 제품 가방
7. 먼지 덮개
8. 평거그림
9. 기둥 나사 x4
10. 와셔 x16
11. 상단 기둥 x2
12. 경첩 기둥 x2
13. 전면 기둥 x2
14. 하단 기둥 x4
15. 고무발 x4
16. 주각
17. 나사
18. 모터 풀리
19. 축
20. 전자박스
21. 톤암
22. 톤암 베이스 플레이트
23. 정밀 속도 / 피치 노브
24. 톤암 카운터웨이트
25. 카운터웨이트 고정나사
26. 카운터웨이트 다이얼
27. 속도 RPM 설정 노브
28. 안티 스키어링 손잡이
29. 주도의
30. 온 / 오프 스위치
31. 톤암 리프팅 레버
32. 톤암 클립
33. 헤드셀 마운트
34. 헤드셀
35. 톤암 그림
36. 탄약통
37. 카트리지가 커버
38. 고무줄
39. 조립 도구(엘런 키/육각 키)
40. 카트리지가 정렬 도구
41. 중간 버퍼
42. 옷감
43. 플래터
44. 서브플래터
45. 고무벨트
46. USB 접지 어댑터
47. 45RPM 어댑터
48. 여분의 고무 벨트
49. 레코드 브러시
50. 하단 버퍼
51. 포장



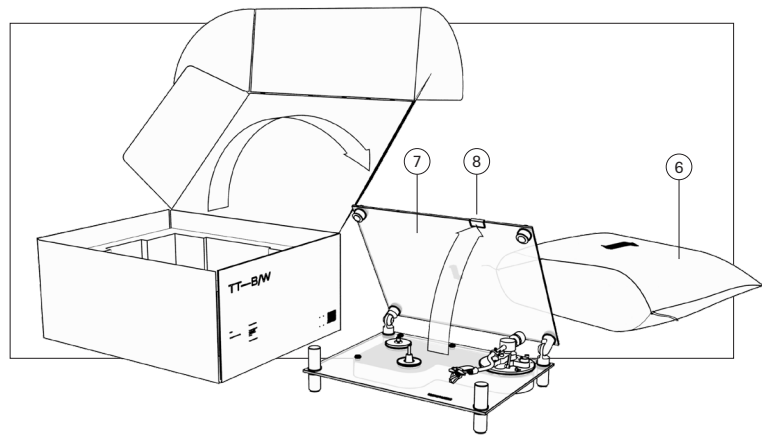
52. 블루투스 모듈
53. 블루투스 버튼
54. 블루투스 LED
55. 블루투스 송신기/수신기 스위치
56. 무선 모듈 홀더
57. 무선 모듈 전원 케이블
58. 무선 모듈 사운드 케이블
59. 접지 나사
60. 라인 출력 RCA
61. FW 확인/업그레이드 버튼
62. 프리앰프 커기/끄기
63. USB-A 5V
64. 라인아웃 3.5mm
65. 무선 모듈 구획
66. AC 전원 소켓



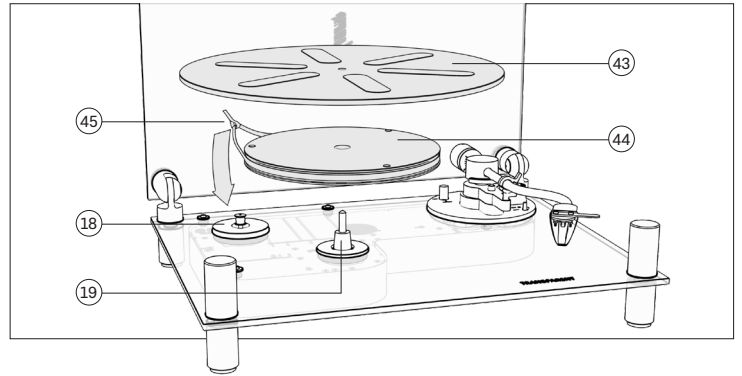
사용자 매뉴얼

설정 가이드

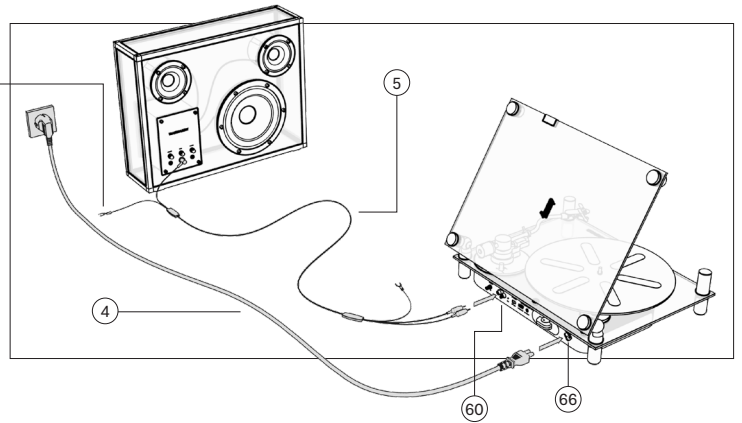
- 사용할 스피커 근처에서 턴테이블을 꺼냅니다. 턴테이블과 전기 소켓을 근처에 놓을 수 있을 만큼 충분한 공간과 바닥이 수평을 이루는지 확인하세요.
- 상자를 엽니다.
- 장갑(2)을 착용합니다. 전체 상단 비퍼(3)를 꺼내서 잠시 치워주세요.
- 포장에서 턴테이블을 들어 올리세요.
- 제품 백(6)을 열고 입구를 전면 기둥 위로 가볍게 당긴 후 뒤로 당겨 전체 턴테이블을 드러냅니다.
- 핑거 그림(8)으로 먼지 커버(7)를 엽니다.



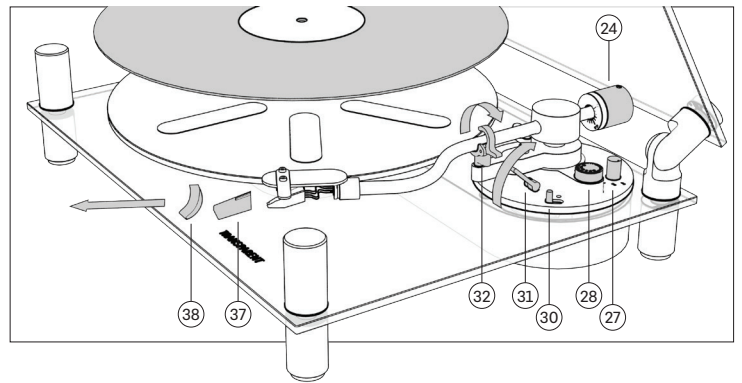
- 포장에서 서브 플레터(44)를 꺼냅니다.
- 3개의 고무 접이 위를 향하도록 하여 서브 플레터를 스킨들(19)에 놓습니다.
- 서브 플레터 측면의 고무 벨트(45)를 잡고 있는 종이 플레그를 잡고 모터 폴리(18) 위로 당긴 다음 종이 플레그를 제거합니다.
- 6개의 고무 줄무늬가 위쪽을 향하도록 하여 메인 플레터(43)를 위에 놓습니다.



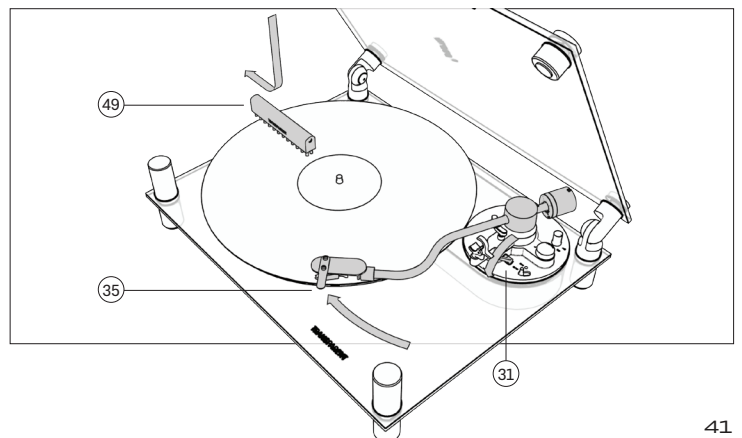
- 먼저 전원 케이블(4)을 턴테이블 뒷면에 있는 AC 전원 소켓(66)에 연결합니다. 반대쪽을 벽면 콘센트에 연결하세요.
- 음악 케이블(5)의 미니 잭을 스피커 또는 앰프의 "라인 입력"에 연결하고 케이블의 RCA 쪽을 턴테이블 뒷면에 있는 RCA 라인 출력 소켓(60)에 연결합니다. 흰색 플러그를 흰색 커넥터에 연결하고 빨간색 플러그를 빨간색 커넥터에 연결했는지 확인하십시오.
- 사운드 케이블(소형 투명 스피커에 필요)의 Y자형 접지선에 대한 지침은 42페이지를 참조하십시오.
- 두 개의 스피커로 재생하려면 42페이지를 참조하십시오.
- Bluetooth를 통한 재생에 대해서는 42페이지를 참조하십시오.
- 스피커가 켜져 있고 볼륨이 50% 이상인지 확인하세요.
- 턴테이블 뒷면에 있는 프리앰프 스위치(62)가 "켜짐" 위치에 있는지 확인하십시오. 외부 앰프와 함께 사용하려면 프리앰프 스위치를 꺼짐 위치로 설정하세요.
- 이제 턴테이블을 원하는 위치에 놓습니다. 턴테이블을 들어 올리거나 이동할 때 장갑을 사용하고 먼지 덮개를 항상 닫아 두는 것이 좋습니다.
- 턴테이블 아래 표면이 고르지 않은 경우 일반 일자 드라이버를 사용하여 고무 다리(15)의 수평을 조정할 수 있습니다.



- 톤암 균형추(24)는 사전 보정되어 제공되므로 무게를 설정할 필요가 없습니다. 추적력 교정 지침은 43페이지를 참조하십시오.
- 배송 중에 카트리지가 덮개(37)를 제자리에 고정하고 있는 고무 벨트(38)를 제거합니다. 카트리지 덮개도 제거합니다.
- 원하는 비닐 레코드를 플레터에 놓습니다.
- 커짐/꺼짐 스위치(30)를 커짐 위치로 이동합니다.
- 속도 RPM 설정 노브(27)가 33RPM 위치(가장 일반적인 기록 속도)에 있는지 다시 확인하십시오. 45RPM으로 싱글을 연주하려면 42페이지를 참조하세요.
- 안티스케이팅 손잡이(28)가 위치 2에 있는지 다시 확인하세요. 안티스케이팅 설정은 43페이지를 참조하세요.
- 톤암 클립(32)의 결서를 풀니다.
- 톤암 리프팅 레버(31)를 올려 톤암을 올립니다.



- 톤암 그림(35)을 집어서 톤암을 이동하고 레코드 시작 부분의 가장자리 위에 카트리지를 바늘을 위치시킵니다. 이제 레코드가 회전하기 시작했을 것입니다.
- 레코드에 먼지나 입자가 있는 경우 레코드 브러시(49)를 사용하여 레코드를 청소하십시오. 레코드가 회전하고 톤암이 위쪽 위치에 있는 동안 브러시를 레코드의 왼쪽으로 내려 레코드의 모든 트랙을 동시에 청소합니다. 브러시를 앞뒤로 움직일 필요가 없습니다. 그냥 잡도록 놔주세요. 레코드가 회전하면서 잔해물을 제거한 다음 레코드에서 꺼내십시오.
- 톤암 레버(31)를 내려 톤암을 내립니다.
- 이제 음악이 들려야 합니다. 필요한 경우 피치 노브(23)를 사용하여 속도를 미세 조정하십시오. 스피커의 볼륨을 조정하고 음악을 즐겨보세요.
- 레코드 재생이 끝나면 모터가 정지합니다. 연주가 끝나면 먼저 톤암 레버를 위로 올리십시오. 톤암 그림을 잡고 톤암을 원래 위치로 다시 이동합니다. 톤암 리프팅 레버를 내립니다. 톤암 클립을 잠급니다. 그림 부분을 잡아 먼지 커버를 닫습니다.



먼지 덮개

먼지 커버를 열고 닫을 때 유리가 더러워지는 것을 방지하려면 항상 그림(8)을 사용하십시오. 레코드를 재생하는 동안이나 사용하지 않을 때에는 먼지로부터 보호하기 위해 덮개를 덮어야 합니다. 힌지 힘이 너무 강하거나 시간이 지남에 따라 너무 느슨해지면 E 막 바닥에 부착된 조립 도구(39)를 사용하고 힌지 나사를 조여 원하는 힌지 힘을 찾습니다. 턴테이블을 거꾸로 뒤집을 경우 모든 플래터를 제거하고 장갑을 착용하는 것을 잊지 마십시오.

어떤 이유로 먼지 덮개 없이 턴테이블을 사용하고 싶다면 간단하게 턴테이블을 분해할 수 있습니다.

- 상단에 있는 4개의 기둥 나사(9)를 풀고 먼지 덮개와 2개의 상단 기둥(11)을 제거합니다.
- 2개의 전면 기둥(13)과 2개의 힌지 기둥(12)을 풀어서 치워둡니다.
- 4개의 기둥 나사를 이변에는 주추를 통과하여 하단 기둥(14)에 연결합니다. 유리를 보호하기 위해 각각 와셔(10)가 있는지 확인하십시오.

앞 기둥과 상단 기둥이 완벽하게 정렬되지 않은 경우:

- 두 개의 상단 기둥 나사를 풀고 상단 기둥의 위치를 조정하여 두 개의 전면 기둥과 정렬된 다음 다시 조입니다. 필요한 경우 전면 기둥에 이 절차를 반복합니다.

속도 설정

대부분의 레코드는 33 1/3 RPM 속도를 사용하므로 이것이 기본 속도 설정입니다. 일부 레코드, 종종 작은 레코드 또는 싱글은 45RPM 속도를 사용합니다. 이러한 레코드에는 스피들들을 위한 더 큰 구멍이 있는 경우가 많습니다. 이를 위해 레코드를 놓을 때 포함된 45 RPM 어댑터(47)를 사용해야 하며 속도 RPM 설정 노브(27)를 45로 변경해야 합니다. 음악 재생 속도를 더욱 미세하게 조정해야 한다고 생각되면 정밀 속도/피치 노브(23)를 사용할 수 있습니다.

케이블을 통한 Small Transparent speaker 로 재생 / 지상 소음 방지

턴테이블 픽업은 민감한 장치이며 다양한 상황에서 예상치 못한 소음을 포착할 수 있습니다. 이는 다양한 스피커의 내부 전자 부품의 접지 또는 차폐에 따라 달라질 수 있습니다. 턴테이블에서 재생할 때 소형 투명 스피커의 하단 라인 입력 소켓으로 인해 원치 않는 접지 소음이 발생하는 경우가 있으며, 당사는 이를 처리하는 방법을 개발했습니다. RCA 케이블(5)에는 양쪽 끝에 작은 "Y"자형 접지 포크가 있는 작은 접지선이 있습니다. 이 포크는 양쪽 접지 나사(59)에 부착되도록 되어 있습니다. 먼저 RCA 케이블을 턴테이블 RCA 라인 아웃(60)에 삽입하고 STS를 옆으로 뒤집어 커넥터가 위쪽으로 노출되도록 한 다음 미니 잭을 STS 라인 인에 삽입합니다. 턴테이블 측면에서 접지 나사는 RCA 라인 출력 왼쪽에 있습니다. 손가락을 사용하여 포크를 접지 나사의 제자리에 고정하십시오. 스피커 쪽에서 USB 접지 어댑터(46)를 USB 소켓에 삽입하고 포크를 접지 나사에 고정합니다. 이제 일반적인 단계에 따라 레코드 재생을 시작할 수 있습니다.

확인! STS의 전면 라인 입력 소켓으로 재생하거나 대형 투명 스피커로 재생하는 경우 접지선 코르크나 USB 접지 어댑터를 사용할 필요가 없습니다.

케이블을 통해 두 개의 스피커로 재생

모든 Transparent Speaker에는 사운드 케이블이 포함되어 있습니다. 이는 턴테이블의 3.5mm 라인 출력 소켓(64)에서 투명 스피커의 후면, 후면 또는 전면(모델에 따라)에 있는 3.5mm 라인 입력 소켓까지 사용할 수 있습니다. 그런 다음 RCA 케이블을 사용하여 두 번째 스피커를 연결하면 동시 재생이 가능합니다. 스피커 중 하나가 소형 투명 스피커인 경우 위의 USB 접지 어댑터(46) 사용 지침을 참조하세요. 두 개의 소형 투명 스피커로 재생하는 경우 접지선이 있는 RCA 케이블(5)을 하단 라인 입력에 사용하고 STS 포함 음악 케이블을 두 번째 스피커의 전면 라인 입력에 사용하는 것이 좋습니다. 투명 스피커 또는 소형 투명 스피커의 왼쪽/오른쪽 채널 선택에 대해서는 해당 사용자 설명서를 참조하십시오. **확인!** 한 쌍의 기존 라우드스피커로 재생하려면 턴테이블 RCA 라인 출력(60)에서 이미 (패시브) 스피커가 연결된 기존 앰프의 라인 입력까지 RCA 케이블을 사용하는 것이 좋습니다. 이 경우에는 TT 뒷면에 있는 프리앰프 스위치(62)를 끄는 것을 고려해 보십시오.

Bluetooth를 통해 하나의 스피커로 재생

Transparent Turntable은 시장에서 판매되는 대부분의 Bluetooth 스피커 및 헤드폰과 호환되지만, 모든 상황에서의 호환성을 보장할 수는 없습니다. 아래 지침은 투명 스피커와의 페어링에 중점을 둡니다. **확인!** 스피커와 턴테이블을 페어링하는 데 스마트폰이 필요하지 않습니다.

- 턴테이블과 스피커의 전원이 모두 켜져 있는지 확인하세요.
- 투명 스피커(또는 다른 블루투스 지원 스피커)의 블루투스 버튼을 누릅니다.
- 투명 턴테이블의 블루투스 버튼(53)을 누르세요. Bluetooth LED(54)가 페어링 모드에서는 더 빠르게 깜박이기 시작하고 연결이 설정된 다음 다시 느리게 깜박이기 시작합니다. 스피커에서 연결을 확인하는 음향 효과도 들려야 합니다.

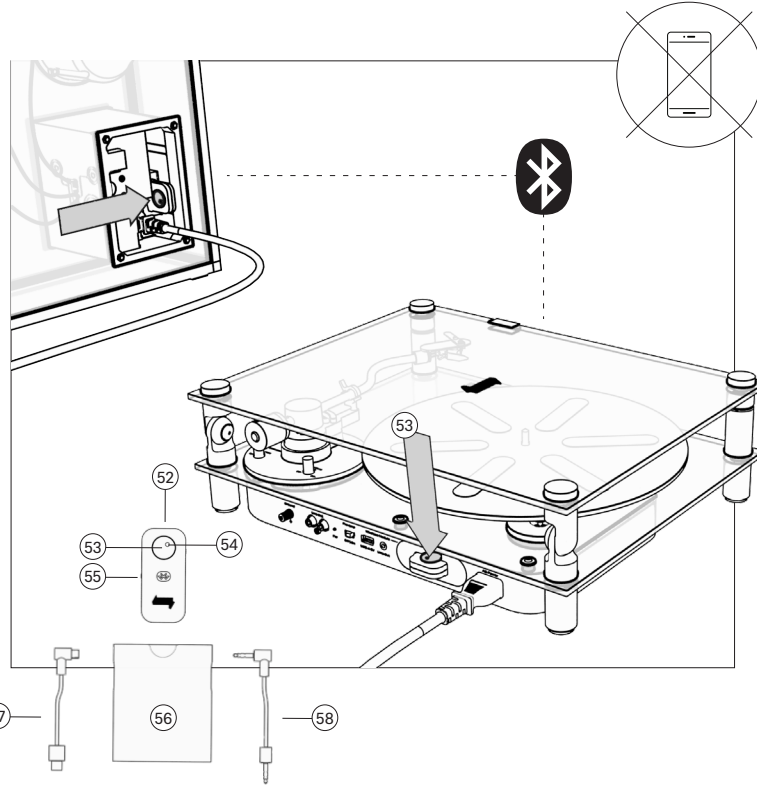
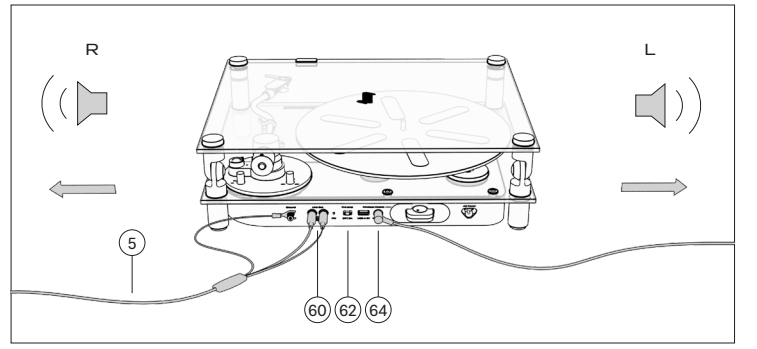
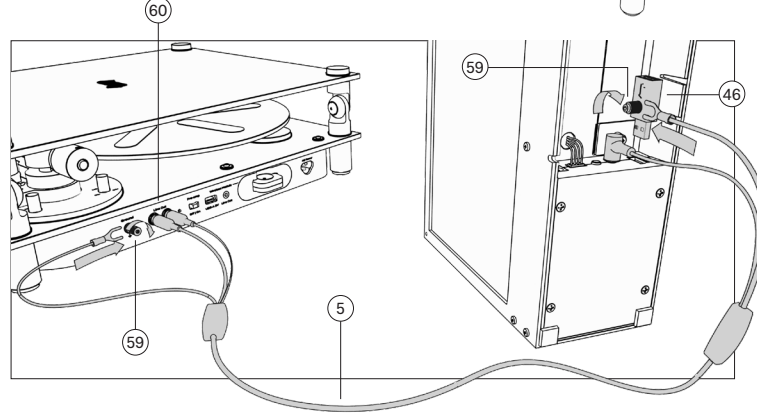
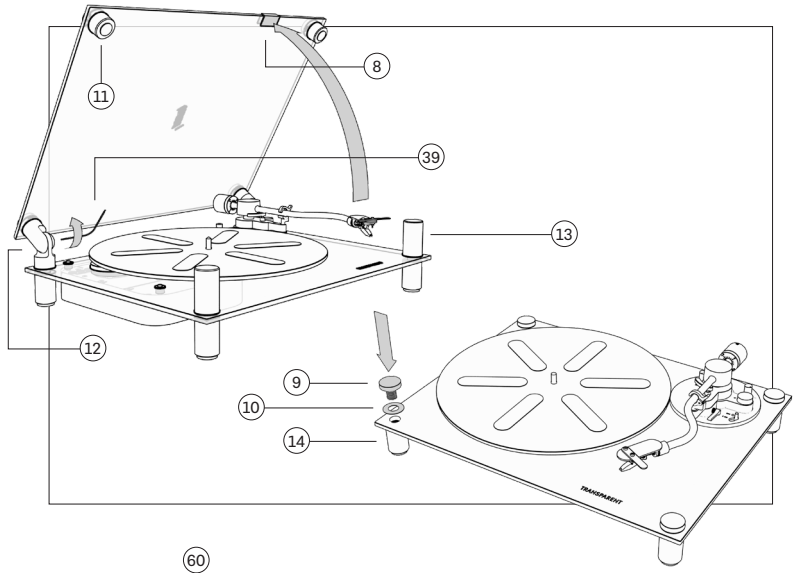
문제 해결 방법:

- 스피커와 턴테이블이 서로 충분히 가까이 있는지 확인하십시오. 어떤 조건에서는 몇 미터 이상 떨어져 있지 않습니다.
- 이전에 페어링된 모든 스마트폰, 태블릿, 컴퓨터, TV 등의 블루투스 설정에서 투명 스피커의 "장치 삭제"를 선택합니다. 이는 페어링 작업 중에 스피커가 턴테이블 이외의 다른 장치에 연결되는 것을 방지하기 위한 것입니다.
- Bluetooth LED가 빠르게 깜박일 때까지 스피커와 턴테이블의 Bluetooth 버튼을 길게(일반적으로 +6 또는 +10초) 눌러 공장 초기화합니다.
- 스피커 측 Bluetooth 모듈이 "리시버"(STS에서는 해당 없음)로 설정되어 있고 턴테이블 측 Bluetooth 모듈이 "송신기"(55)로 설정되어 있는지 확인하십시오.
- 턴테이블 Bluetooth 모듈이 실제로 켜져 있는지 확인하세요. 버튼을 빨간색 표시등이 천천히 깜박여야 합니다. 그렇지 않은 경우(레코드를 모두 제거하고 두 플래터를 모두 제거한 후 장갑을 낀 상태에서) 조심스럽게 턴테이블을 거꾸로 뒤집고 무선 모듈 구획(65)을 조사하여 내부의 두 케이블(57, 58)이 턴테이블과 Bluetooth 모두에 충분히 연결되도록 합니다.

Bluetooth를 통해 두 개의 스피커로 재생

Transparent Turntable은 시장에서 판매되는 대부분의 Bluetooth 스피커 및 헤드폰과 호환되지만, 모든 프로토타입과 True Wireless 페어링의 호환성을 보장할 수는 없습니다. 아래 지침은 Transparent speaker와의 페어링에 중점을 둡니다.

- 이전에 스마트폰, 태블릿, 노트북, TV 등에 페어링된 스피커가 있는 경우 Bluetooth 메뉴로 이동하여 "장치 지우기"를 선택하세요. 그런 다음 스피커 Bluetooth 버튼을 길게 눌러 FW 재설정을 수행합니다.
- 스피커와 턴테이블을 같은 방에 두십시오. 서로 5m 이상 떨어져 있지 말고, 가깝다면 더 가깝게 두십시오.
- 스피커와 턴테이블의 전원이 모두 켜져 있는지 확인하세요.



- 첫 번째 스피커의 Bluetooth 버튼을 길게 누르고 빨간색 LED가 켜진 동안 손을 떼면 "진정한 무선 페어링 모드" 명령이 들립니다. 그런 다음 두 번째 스피커에서도 동일한 작업을 수행합니다.
- 팁: 스마트폰 Bluetooth 설정을 열고 두 스피커가 모두 Bluetooth 새 장치 목록에 표시될 때까지 기다립니다(단, 화면에서 선택하지는 마세요).
- 이제 턴테이블(53)의 페어링 버튼을 누르세요.
- 이제 연결이 완료되어야 합니다.
- 두 개의 소형 투명 스피커 또는 조명 스피커를 사용하거나 이들의 조합을 사용하는 경우 자동으로 "왼쪽" 및 "오른쪽" 채널 모드로 전환되어야 합니다. 그렇지 않으면 길게 눌러 조정할 수 있습니다(스피커 하단 지침 참조). 대형 투명 스피커의 경우 후면 패널에서 스위치를 사용하여 수동으로 선택합니다.

안티스케이팅

턴암(21) 끝에 있는 작은 "바늘" 또는 "스타일러스"는 레코드의 V자형 홈에서 나오는 음악 진동을 포착합니다. V의 내부 또는 "왼쪽" 면에는 음악 녹음 왼쪽 채널의 모든 음원 정보가 포함되며, 그 반대의 경우도 이 홈의 외부 또는 "오른쪽"에 있습니다. 턴암은 자연스럽게 레코드 중앙에 더 가까이 이동하기를 원하지만 안쪽으로 너무 세게 당기거나 "스케이팅"하면 왼쪽 채널을 너무 세게 밀어 음악의 오른쪽 채널이 왜곡됩니다. 이런 소리가 들리면 안티스케이팅 노브(28)의 안티스케이팅 힘을 높여 스타일러스가 안쪽으로 덜 "스케이팅"하도록 할 수 있습니다. 반대로 음악에서 왼쪽 채널의 왜곡이 들리면 안티스케이팅 힘을 줄여야 합니다. 목표는 스타일러스가 V자형 홈의 중앙으로 이동하도록 하는 것입니다. Transparent Turntable의 안티스케이팅 기본 설정은 2로 되어 있습니다.

수직 추적력/턴암 카운터웨이트 조정

Transparent Turntable는 사전에 보정된 턴암 균형추(24)와 함께 도착합니다. 하지만 필요한 경우 아래 단계를 따르세요.

- 너트 커버를 열고 조립 도구(39)를 사용하여 평형추 고정 나사(25)를 푸십시오.
- 턴암 클립(32)을 풀되 턴암 리프팅 레버(31)를 아래 위치에 유지하십시오.
- 손가락으로 평형추를 잡고 턴암이 정지 위치에서 들어올릴 때까지 바깥쪽으로 나사로 조입니다.
- 턴암을 레코드 위로 안쪽으로 돌립니다. 이제 완벽하게 균형 잡힌 턴암이 보일 때까지 균형추를 다시 천천히 조이십시오. 완전히 수평일 필요는 없지만, 워나 아래로 움직이지 않고 공중에 떠 있어야 합니다. 잠시 시간을 두고 완전히 균형 잡힌 위치를 찾으면 회전식 평형추 다이얼(26)을 가볍게 잡고 0 위치로 돌립니다. 나머지 무게추는 회전하지 않도록 유지해야 하므로 다른 손으로 무게추를 제자리에 고정해야 할 수도 있습니다.
- 카트리지의 권장 추적력을 알아보세요. 예를 들어 Ortofon OM5E의 경우 Ortofon 웹사이트나 사용자 설명서에서 찾을 수 있는 1.75g입니다. 일반적으로 약 2g이므로 확실하지 않은 경우 이 설정을 권장합니다.
- 이제 전체 균형추(다이얼 포함)를 카트리지의 권장 추적력으로 돌립니다.
- 마지막으로 고정 나사 중 하나를 조여 이제 보정된 균형추 위치를 고정합니다.

카트리지 교체

일반적으로 카트리지(36)는 사전 설치되어 제공됩니다. 그렇지 않은 경우 턴암 그림(35)에 있는 두 개의 장착 나사를 사용하여 카트리지를 알루미늄 헤드셀(34)에 설치하십시오. 표준 0.5인치 장착 구멍이 있는 모든 카트리지를 장착할 수 있습니다. 아래 표시된 대로 카트리지 케이블을 연결합니다.

- 흰색: 왼쪽 채널 L+
- 빨간색: 오른쪽 채널 R+
- 녹색: 오른쪽 채널 R-
- 파란색: 왼쪽 채널 L-

카트리지 정렬 도구를 사용하여 전체 기록에 따라 새 카트리지를 보정합니다(아래 지침).

스타일러스 교체

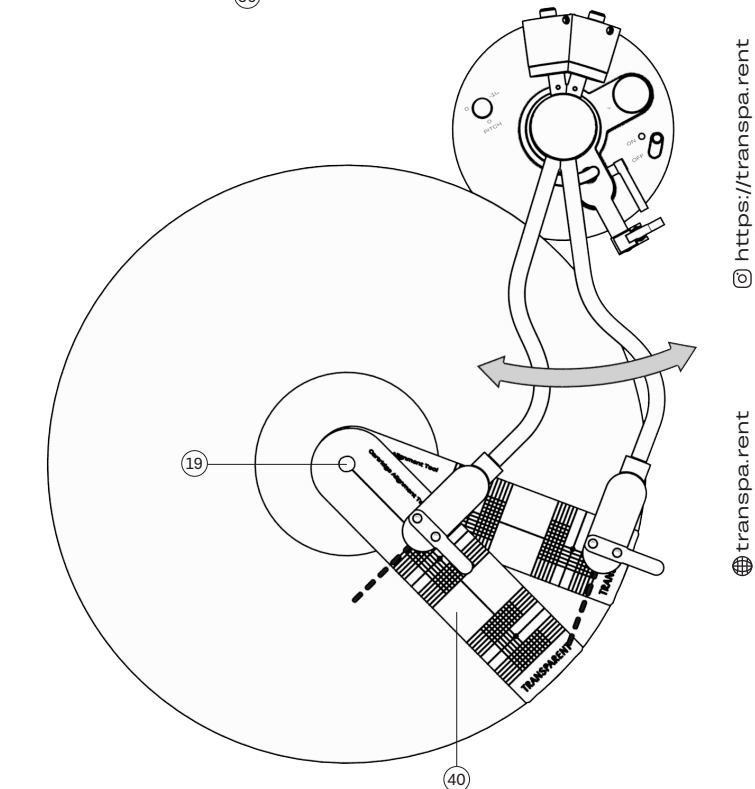
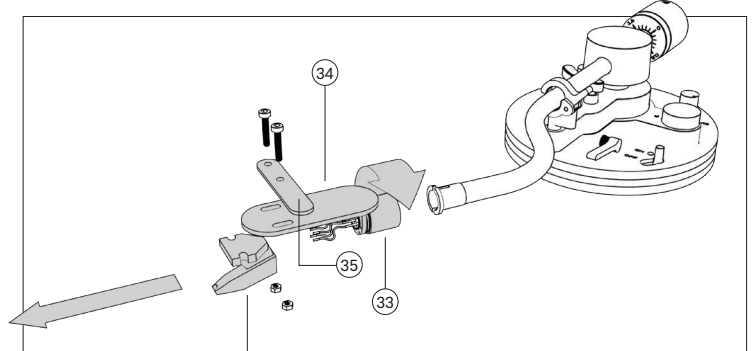
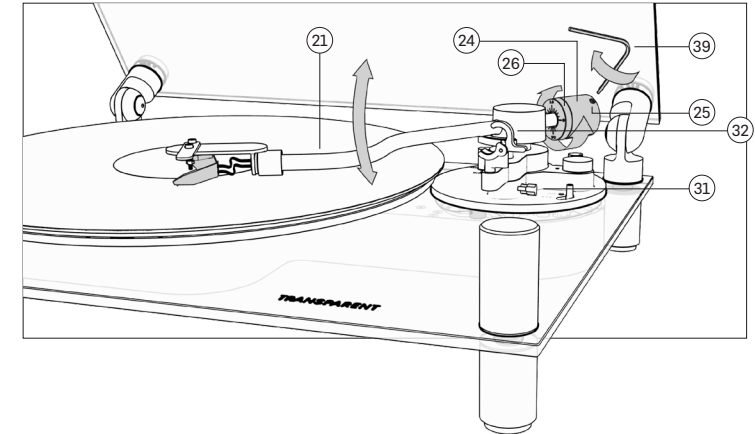
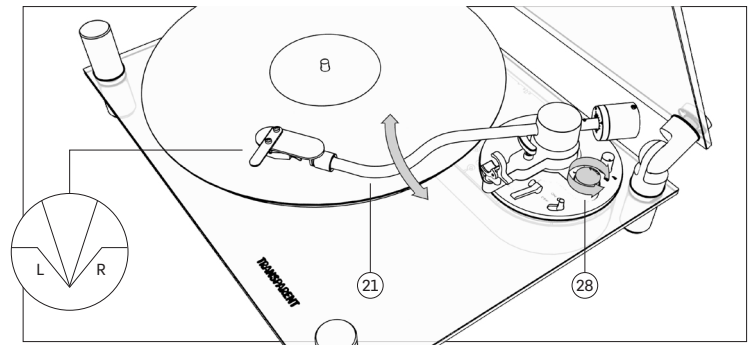
스타일러스는 카트리지의 앞부분입니다. 손상되거나 마모된 스타일러스는 LP 재생에 해를 끼칠 수 있으므로 교체해야 합니다. 스타일러스를 카트리지에서 꺼내기 전에 스타일러스 보호 장치를 제거하고 새 것으로 교체하십시오. 사전 장착된 카트리지는 Ortofon OM5E의 교체 스타일러스 유형은 "스타일러스 OM5E"입니다. Ortofon OM5E에서 스타일러스만 변경하는 경우 일반적으로 카트리지를 다시 정렬하거나 추적력을 다시 조정할 필요가 없습니다.

헤드셀 변경

다른 헤드셀(34)을 사용하려면 헤드셀 마운트(33)를 풀 다음 헤드셀을 바깥쪽으로 당겨 분리하면 됩니다. 다른 SME 커넥터 호환 헤드셀을 삽입하고 손가락으로 제자리에 고정할 다음 카트리지 정렬 도구를 사용하여 전체 레코드를 따라 보정합니다(아래 지침).

카트리지 정렬

- 먼저 E 상자 하단에서 카트리지 정렬 도구(40)를 꺼냅니다.
- 정렬 절차 중에 턴테이블이 움직이지 않도록 하려면 턴테이블 플래터의 외부 가장자리 아래에 작은 판지 패기(또는 이와 유사한 것)를 놓습니다.
- 턴테이블에 레코드를 올려보세요.
- 턴암 클립의 걸쇠를 풀니다.
- 턴암 리프팅 레버를 위쪽 위치로 들어 올립니다.
- 카트리지 나사를 조금 풀어서 조정할 수 있습니다.
- 헤드셀에서 카트리지를 앞뒤로 움직여 헤드셀에 권장되는 돌출 지점에 스타일러스 팁을 배치합니다. 권장되는 돌출부가 없는 경우 카트리지를 헤드셀 중앙에 배치합니다.
- 턴암의 균형을 맞추고 일시적으로 1그램의 추적력을 적용합니다.
- 정렬 도구의 구멍을 턴테이블 스피들(19) 위로 밀어 넣고 스타일러스가 추적하는 영역 위의 레코드에 정렬 도구를 놓습니다.
- 내부(레코드 중앙 근처) 정렬 지침: 스타일러스 팁이 도구의 내부 스타일러스 팁 표시에 놓이도록 턴암 레버를 내립니다. 카트리지 본체의 측면이 도구의 기준선과 평행하지 않은 경우 턴암 레버를 올리고 두 개의 상단 나사로 카트리지 본체 위치를 조정하여 각도기의 기준선과 평행이 되도록 합니다.
- 외부 정렬 지침: 정렬 도구의 외부 스타일러스 팁 표시에 대해 이 절차를 반복합니다.
- 카트리지 본체가 두 지점에서 평행하거나 최대한 평행에 가까워질 때까지 두 지점에서 이 절차를 반복합니다. 카트리지를 한 지점에서만 평행하게 만들 수 있는 경우 내부 지침(레코드 중앙에 더 가까운 지침)을 선택합니다.
- 조정 절차가 완료되면 카트리지 장착 나사를 완전히 조이십시오.
- 마지막으로 턴암 균형추의 올바른 균형을 재설정합니다.



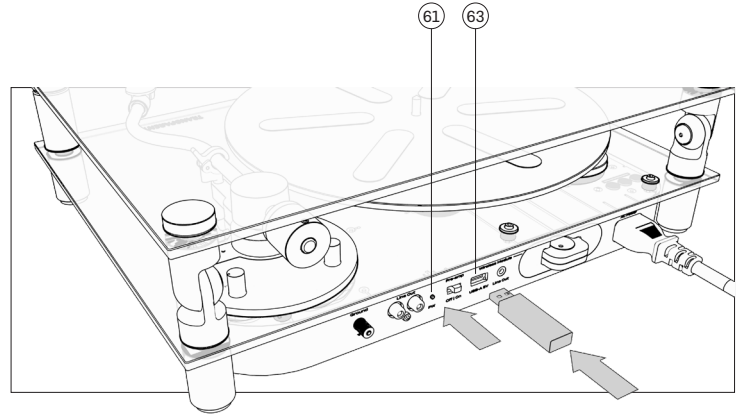
유지

레코드 플레이어는 정기적인 유지 관리가 거의 또는 전혀 필요하지 않습니다. 포함된 천(42)을 살짝 적서 먼지를 부드럽게 제거하십시오. 더 많은 먼지를 끌어당기는 정전기가 발생하므로 마른 천을 사용하지 마십시오. 정전기 방지 세척액은 전문 매장에서 구입할 수 있지만 고무 부품의 손상을 방지하려면 최소한으로 사용해야 합니다. 손상을 방지하려면 청소 또는 유지 관리를 수행하기 전에 카트리지를 덮개(37)를 장착하는 것이 좋습니다. 플레이어를 장기간 사용하지 않을 경우 고무 벨트(45)를 제거하여 불균형하게 늘어나는 것을 방지할 수 있습니다. 원활한 재생을 유지하려면 1-2년마다 고무벨트를 교체하는 것이 좋습니다. 오래된 고무벨트를 뜨거운 물에 삶으면 약간 줄어들기 때문에 강도를 회복할 수 있습니다.

FW 버전 / FW 업그레이드

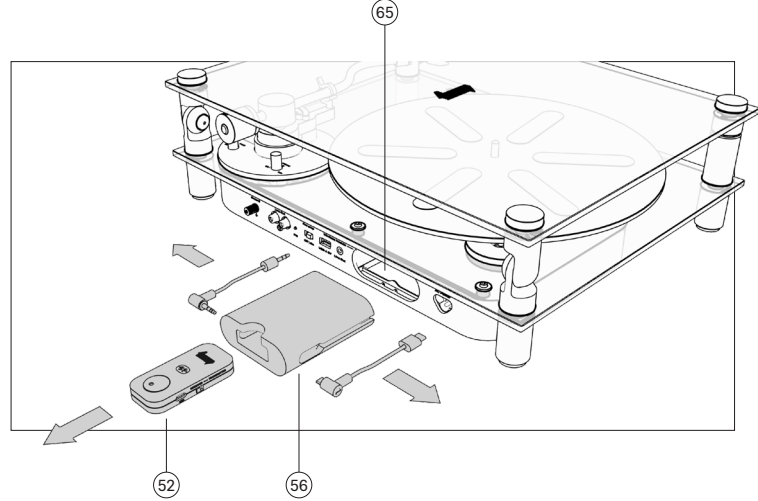
TT 전자장치의 펌웨어(FW)는 시간이 지남에 따라 업데이트될 수 있습니다. 뒷면의 FW 버튼(61)을 클릭하면 FW 버전을 확인할 수 있습니다. 그러면 톤암 베이스의 LED가 여러 번 깜박이면서 신호를 보내 FW 버전을 나타냅니다. 버전 01은 한 번 깜박이고, V02는 두 번 깜박입니다. Transparent 지원팀에 연락하여 새 FW 파일을 받고 USB-A 스틱에 저장할 경우:

- 턴테이블의 전원을 켜고 뒷면의 USB-A 소켓(63)에 USB 스틱을 삽입합니다.
- FW 버튼을 길게 누릅니다. LED가 깜박이기 시작하면(약 5초 후) 버튼을 놓습니다. 이제 새로운 FW 버전이 턴테이블에 업로드됩니다.
- 중요: 내부 메모리가 손상될 수 있으므로 FW 업그레이드 중에 턴테이블의 전원을 끄지 마십시오.
- LED 깜박임이 멈춘 후 USB 스틱을 꺼내고 원하는 경우 클릭 한 번으로 새 FW 버전을 확인할 수 있습니다.



HW 업그레이드

Transparent™은 원형 디자인 철학을 따릅니다. 그 중 큰 부분은 미래의 시나리오에 대비해 제품을 준비하는 것입니다. 이를 통해 주은 제품이 뒤처지지 않고 기술이 발전함에 따라 시간이 지남에 따라 업그레이드되고 개선될 수 있습니다. 이미 설명한 카트리지와 헤드셀 외에도 1세대 Transparent Turntable 이 출시된 지 몇 년 후에 새로운 무선 모듈이 필요할 가능성이 높습니다. 무선모듈 수납부(65)에는 블루투스 모듈(52)을 고정하는 실리콘 홀더(56)가 형성됩니다. 새로운 무선 모듈로 업그레이드하려는 경우 Transparent가 업그레이드를 제공할 가능성이 높습니다. 당사 웹사이트(<https://transpa.rent>)를 방문하여 업그레이드를 찾아보세요. Transparent에서 업그레이드를 구입하면 새 실리콘 홀더와 새 케이블이 함께 제공될 가능성이 높습니다. 이 경우 전체 실리콘 홀더를 꺼내고 새 홀더를 삽입하기만 하면 됩니다. 이 작업 중에 케이블이 올바르게 연결되었는지 확인하십시오. USB 5V로 전원을 공급할 수 있고 소켓에 라인이 있는 타사 무선 송신기가 있을 수도 있습니다. 자유롭게 시도해 보시고, 맞는 경우 양면 패드를 사용하여 구획에 타사 모듈을 고정하십시오.



분해

투명 턴테이블은 완전히 모듈식으로 설계되었습니다. 부품에 서비스나 업그레이드가 필요한 경우 E 박스 하단에 부착된 조립 도구(39)를 사용하여 이를 수행할 수 있습니다. Transparent Turntable의 모든 나사는 이 도구의 양쪽 끝에서 작동 가능합니다. 분해 작업을 시작하기 전에 반드시 전원 케이블과 음악 케이블을 뽑아주세요. 더스트 커버 섹션에 설명된 대로 힌지와 기둥은 손으로 분해됩니다. 그런 다음 조립 도구를 사용하여 나머지 구성 요소를 해제할 수 있습니다. 중요 사항: 전문적인 경험이 없거나 Transparent 지원팀의 안내에 따르지 않는 한 e박스를 열지 않는 것이 좋습니다. 민감한 부품이 손상될 위험이 있으며, 전원 케이블이 계속 연결되어 있으면 감전의 위험이 있습니다! 모든 분해 활동은 귀하의 책임하에 수행되며 보증이 무효화됩니다.

재활용

필요한 경우 투명 턴테이블을 개별 재료로 완전히 분해할 수 있습니다(회로 기관 제외). 오래되었거나 파손된 부품을 폐기해야 하는 상황이 발생하면 해당 부품을 해당 지역의 해당 폐기물 흐름에 분류하여 재활용해야 합니다. 의심스러운 경우 support@transpa.rent로 지원팀에 문의하세요.

보증

Transparent는 2년 보증을 기본으로 제공합니다. 가까운 대리점에 문의하시거나 추가 지원을 원하시면 <https://transpa.rent>를 이용하세요.

스캔

QR 코드 스티커를 스캔하세요. 투명 턴테이블에는 온라인에서 특정 제품을 검색할 수 있는 고유 일련 번호가 있습니다. 업그레이드 및 서비스에 대한 제품 및 모델별 팁을 찾을 수 있습니다.

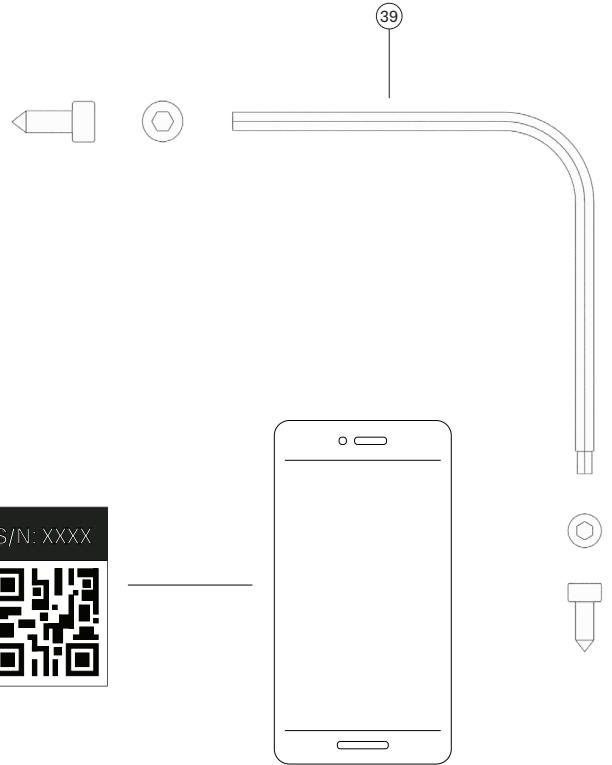
서비스 및 지원

궁금한 점이 있으면 support@transpa.rent로 이메일을 보내 문의해주세요.

본사

Transparent Sound AB
Döbelnsgatan 47
113 52 Stockholm
Sweden

<https://transpa.rent>



기술 사양

일반적인

공칭 속도: 33 ¼ 및 45 RPM
 속도편차: 33: ±0.70% 45: ±0.60%
 와우와 실래임: 33: ±0.25% 45: ±0.25%
 신호 대 잡음비: 1kHz에서 ≥ 70dB, 0dB A-가중치
 추적력 : 1.75gram
 유효 톤압 질량: 13.5g
 유효 톤압 길이: 220mm
 오버행: 19.5mm
 최대 소비 전력: 15W
 크기(W x H x D): 410 x 125 x 320mm
 무게: 6.5kg
 포장 크기(W x H x D): 580 x 240 x 460mm
 무게 포함 포장: 7,0kg
 정격 입력 전압: 100-240Vac, @ 50/60Hz.

MM 포노 프리앰프

게인: 34dB +/- 2dB
 출력 전압: 5mV/1kHz 입력에서 > 220mV/1kHz
 입력 임피던스: 47kOhms/100pF
 RIAA 이퀄라이제이션 곡선 정확도: 20Hz-15kHz / 최대 2db.

Bluetooth 5 모듈(TT Gen 1에 사전 설치됨)

블루투스 버전: 5.0
 일반 또는 True Wireless(스테레오) 페어링
 디지털 광 및 아날로그 신호용 3.5mm 포트
 5V 전원용 USB 포트
 듀얼 모드: 송신기(TX)와 수신기(RX) 간 전환 - TT의 기본값은 TX여야 합니다.
 칩: 펠립 CSR8670C
 코덱: aptX LL / SBC / MP3 / AAC
 지연 시간: 매우 낮음 <40ms
 완벽한 신호 전송을 위한 급도급 접점
 다양한 설정 옵션과 유연한 사용
 다중 구성 가능 I2S, SPDIF 인터페이스
 16비트 스테레오 코덱 내장 - DAC용 95dB SNR
 D/A 변환 16비트/96kHz
 A/D 변환 16비트/48kHz
 온도 범위: 5 ~ +50°C
 허용 상대 습도: 5 - 90%
 전압 공급: 5V
 크기: 33 x 62 x 12(w x h x d(mm))
 무게: 0.02kg

MM-카트리지가 Ortofon OM 5E

주파수 범위: 20-25.000Hz+3 / -3
 1000Hz, 5cm/s에서 출력 전압: 4mV
 1kHz의 채널 밸런스: 2dB
 1kHz에서 채널 분리: 22dB
 15kHz에서 채널 분리: 15dB
 권장 추적력(일반 값)에서 315Hz에서의 추적 능력: 60 µm
 규정 준수, 동적, 측면: 20 µm/mN
 스타일러스 유형: 타원형
 스타일러스 팁 반경: r/R 8/18 µm
 추적력 범위: 1.5-2.0g(15-20mN)
 추적력, 권장: 1.75g(17.5mN)
 추적 각도: 20°
 내부 임피던스, DC 저항: 750Ω
 내부 인덕턴스: 450mH
 권장 부하 저항: 47kΩ
 권장 부하 용량: 200-500pF
 카드리지 색상, 본체/스타일러스: 검정/검정색
 카드리지 무게 포함. 추가 중량: 5g
 카드리지 무게 제외 추가 중량: 2.5g
 교체용 스타일러스 장치: 스타일러스 5E

OM 5E는 균형 있고 왜곡 없는 재생을 제공하는 타원형 스타일러스를 갖추고 있습니다. 타원형 다이아몬드는 윤곽이 있는 모양으로 인해 구형 다이아몬드보다 음 진동을 더 정확하게 따라갈 수 있습니다. 그 결과 추적이 향상되고 왜곡이 줄어듭니다.

재료

유리: 강화 Optiwhite
 알루미늄: AL6061 - 재활용 함량 약 50%
 플라스틱: ABS V0+UV - 100% 재활용 소재
 종이 및 판지: 100% FSC 인증
 제품 가방: 스켈레이스
 포장 버퍼: EPE

중요한 안전 지침

- 1) 이 지침을 읽으십시오.
- 2) 이 지침을 지키십시오.
- 3) 모든 경고에 참석하십시오.
- 4) 모든 지침을 따르십시오.
- 5) 본 기기를 물 근처에서 사용하지 마십시오.
- 6) 제품에 포함된 천에 살짝 물을 묻혀서 닦아주세요.
- 7) 통풍구를 막지 마십시오. 제조업체의 지침에 따라 설치하십시오.
- 8) 라디오테러, 난방 조절기, 난로, 기타 열을 발생시키는 장치(램프 포함) 등 열원 근처에 설치하지 마십시오.
- 9) 유극형, 접지형 플러그의 안전목적용 홈을 사용하지 마십시오.
극성 플러그에는 두 개의 블레이드가 있으며 하나는 다른 것보다 넓습니다. 접지 유형 플러그에는 두 개의 블레이드와 세 번째 접지 단자가 있습니다.
넓은 칼날이나 세 번째 갈래는 안전을 위해 제공됩니다. 제공된 플러그가 콘센트에 맞지 않으면 전기

기술자에게 문의하여 오래된 콘센트를 교체하십시오.

- 10) 전원 코드, 특히 플러그, 콘센트 및 장치에서 나오는 지점이 밟히거나 끼이지 않도록 보호하십시오.
- 11) 제조사가 지정한 부품/액세서리만 사용하십시오.
- 12) 천동변개가 치거나 장기간 사용하지 않을 때에는 본 기기의 플러그를 뽑아두십시오.
- 13) 모든 서비스는 자격을 갖춘 서비스 직원에게 맡기십시오. 전원 공급 코드나 플러그가 손상되었거나, 액체를 쏟았거나 장치에 물체가 떨어진 경우, 장치가 비나 습기에 노출되었거나 정상적으로 작동하지 않는 등 어떤 식으로든 장치가 손상된 경우 서비스가 필요합니다. ,
- 14) AC 주전원에서 이 장치를 완전히 분리하려면 AC 콘센트에서 전원 공급 코드 플러그를 분리하십시오.
- 15) 전원 공급 코드의 주 플러그는 간단하게 작동됩니다. 싱가포르에서는 3핀 UK 플러그 부속 장치만 사용됩니다.

경고

화재나 감전의 위험을 줄이려면 본 장치를 비나 습기에 노출시키지 마십시오.

주의

Transparent Sound AB의 승인을 받지 않은 변경이나 수정은 사용자의 장비 작동 권한을 무효화할 수 있습니다.

기호

주의: 감전 위험을 방지하려면 덮개(또는 뒷면)를 제거하지 마십시오. 내부에는 사용자가 수리할 수 있는 부품이 없습니다. 서비스 직원에게 서비스를 의뢰하십시오.

본 기기는 일반 가정용 쓰레기로 처리할 수 없습니다. WEEE(전기 및 전자 장비 폐기물) 관리는 유럽 연합 회원국 및 기타 유럽 국가에 적용됩니다.

WEEE 관리에 관한 개별 국가 정책, 수거, 재사용 및 재활용 시스템에 대한 자세한 정보가 필요한 경우 해당 지역 폐기물 관리청에 문의하세요.

이 제품은 다음 유럽 지침을 준수합니다.

- 에너지 관련 제품 지침(EG) 278/2009에 대한 에코디자인 요구 사항
- 무선 장비 지침(RED) 2014/53/EU
- 저전압 지침(LVD) 2014/35/EU

· ITE 및 AV 장비에 대한 안전 표준. 북미용 UL62368-1을 준수하고 캐나다 IEC62368-1 인증을 받았습니니다.

이 제품은 RoHS(유해 물질 제한 지침) 2011/65/EU 및 2015/863/EU(RoHS 3)를 준수합니다.

무선 주파수 간섭 요구 사항 - FCC

이 장치는 FCC 규정 제15조를 준수합니다. 작동에는 다음 두 가지 조건이 적용됩니다.
 (1) 이 장치는 유해한 간섭을 일으키지 않으며,
 (2) 이 장치는 수신된 모든 간섭을 수용해야 합니다.
 원치 않는 작동을 유발할 수 있는 간섭을 포함합니다.
 참고 이 제품은 테스트를 거쳐 FCC 규정 제15조에 따라 클래스 B 디지털 장치에 대한 제한 사항을 준수하는 것으로 확인되었습니다. 이러한 한도는 주가용 설치 시 유해한 간섭으로부터 합리적인 보호를 제공하도록 설계되었습니다. 본 제품은 무선 생성, 사용, 방출할 수 있습니다. 주파수 에너지를 사용하며, 지침에 따라 설치 및 사용하지 않을 경우 무선 통신에 유해한 간섭을 일으킬 수 있습니다. 그러나 간섭이 발생하지 않는다는 보장은 없습니다.
 특별한 설치. 본 제품이 라디오나 TV 수신에 유해한 간섭을 일으키는 경우(장비를 꺼서 확인할 수 있음)
 그런 다음 사용자는 다음 조치 중 하나 이상을 통해 간섭을 해결하도록 권장됩니다.
 —수신 안테나의 방향을 바꾸거나 재배치합니다.
 —장비와 수신기 사이의 거리를 늘립니다.
 —장비를 수신기가 연결된 회로와 다른 회로의 콘센트에 연결하십시오.
 —도움이 필요하면 대리점이나 숙련된 라디오/TV 기술자에게 문의하십시오.
 준수 책임이 있는 당사자가 명시적으로 승인하지 않은 변경 또는 수정은 사용자의 작동 권한을 무효화할 수 있다는 점에 유의하십시오.

장비.

캐나다 산업성 규정에 따라 이 무선 송신기는 다음 용도로 승인된 유형 및 최대(또는 그 이하) 이득의 안테나를 통해서만 작동할 수 있습니다.
 캐나다 산업성(Industry Canada)의 송신기. 다른 사용자에게 대한 잠재적인 무선 간섭을 줄이려면 안테나 유형과 이득을 동일하게 선택해야 합니다.
 등방성 복사 전력(e.i.r.p.)은 성공적인 통신에 필요한 수준을 넘지 않습니다.

이 제품은 일본 시장에서 판매되는 전기 제품에 대한 안전 및 EMC(전자파 적합성) 승인을 준수합니다. 준거법은 일본의 DENAN법(전기용품안전법)입니다.

방송통신위원회: 전기 및 전자 장비에 대한 한국의 제품 안전 요구 사항을 준수함을 의미하며 한국 표준 협회의 승인을 받은 한국 기관 인증 기관에서 발행됩니다.

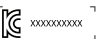
UKCA(UK Conformity Assessed) 표시는 영국(잉글랜드, 스코틀랜드, 웨일스) 내에서 판매되는 제품에 대한 해당 요구 사항을 준수함을 나타내는 적합성 표시입니다.

UKNI 마킹은 북아일랜드 시장에 출시되어 인증 기관에 의해 의무적인 제3자 적합성 평가를 받은 제품에 대한 적합성 마킹입니다.

IEC 60417: 주로 실내용으로 설계된 전기 장비를 식별합니다.

이 제품은 다음을 준수합니다.

- ETLus: UL62368-1
- FCC SDOC: FCC PART15B
- IC: ICES-003
- CE-LVD: EN62368-1
- CE-EMC: EN55032 + EN55035 +IEC EN61000-3-2 +IEC EN61000-3-3
- UKCA: BS EN62368-1+BS EN55032/35 +BS EN61000-3-2/3
- PSE: J62368





透明玻璃唱盘机是一款高品质黑胶唱片机。它由钢化玻璃底座和防尘罩构成，大部分结构部件由铝制成。这些坚固的材料提供了坚固的结构，以确保长期可靠的播放。

皮带驱动电机系统是确保长时间一致播放的可靠方法，并且有精确的速度和跟踪控制来微调播放。

我们开发了自己的唱臂，带有定制的唱头壳，可以容纳任何带有标准安装孔的动磁唱头，即使是唱头壳也是通过标准 SME 连接器进行模块化的。

唱臂由定制的铝制唱臂手柄、升降杆和夹子操作。

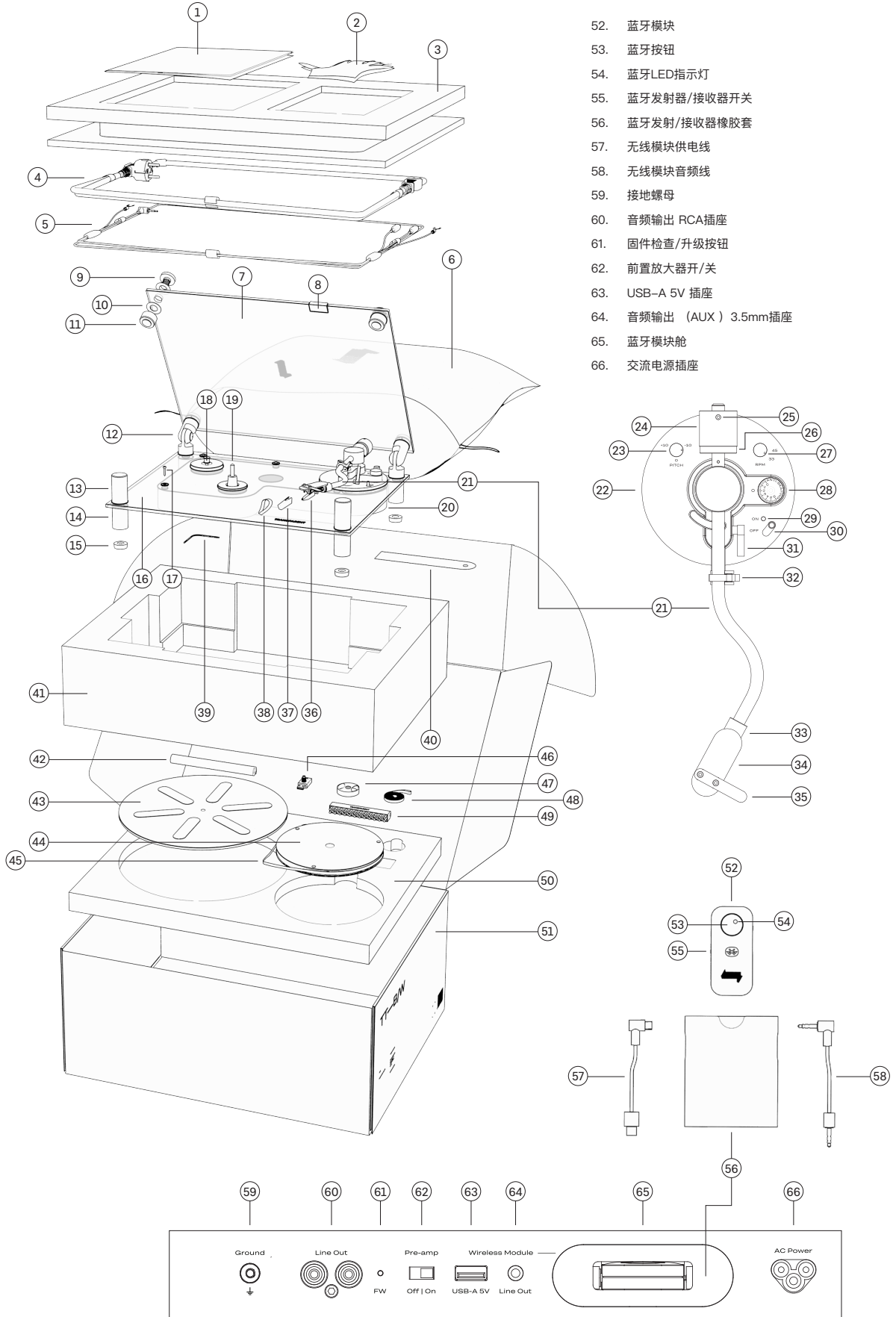
透明玻璃唱盘机有一个内置前置放大器。这意味着它可以直接在任何模式（有源）扬声器上播放，无需单独的设备。如果您想使用外部放大器，当然还有前置放大器开关。TT 当然配有音频线，但为了确保转盘的无线功能，我们还开发了一个用于无线模块的隔间。第一代 TT 配备了我们预装的蓝牙™模块，因此您可以根据需要通过无线播放方式欣赏黑胶唱片。根据未来的家庭需求，隔间已准备好适应和升级以满足未来的需求。

该产品的完全模块化设计、高品质构造和可升级性是透明循环设计理念的一部分。这不仅涉及所有原材料的来源，还涉及使产品在未来很长一段时间内保持相关性的计划。

部件介绍

- 1. 用户手册
- 2. 手套
- 3. 顶部防护EPE
- 4. 电源线
- 5. 音频输出线 (RCA)
- 6. 整机布袋
- 7. 防尘盖
- 8. 手指握持位
- 9. 支柱螺丝 x4
- 10. 垫圈 x16
- 11. 支撑脚 x2
- 12. 铰链柱 x2
- 13. 前支撑柱 x2
- 14. 底部脚支柱 x4
- 15. 橡胶脚 x4
- 16. 底座
- 17. 螺丝
- 18. 马达皮带轮
- 19. 主轴
- 20. 主机底壳
- 21. 唱臂
- 22. 唱臂底座
- 23. 速度/音调调节钮
- 24. 配重器
- 25. 配重锁紧螺钉
- 26. 配重刻度盘
- 27. 转速调节钮
- 28. 防滑旋钮
- 29. LED指示灯
- 30. On/Off 开关
- 31. 唱臂升降手柄
- 32. 唱臂锁扣
- 33. 唱头锁紧圈
- 34. 唱头盖
- 35. 唱臂手柄
- 36. 唱头
- 37. 唱针保护套
- 38. 橡皮筋
- 39. 组装工具 (内六角扳手/六角扳手)
- 40. 唱头角度尺
- 41. 整机防护EPE
- 42. 清洁布
- 43. 大转盘
- 44. 小转盘—驱动转盘
- 45. 橡胶皮带
- 46. USB 接地适配器
- 47. 45 转适配器
- 48. 备用橡胶皮带
- 49. 清洁刷
- 50. 底部防护EPE
- 51. 包装箱

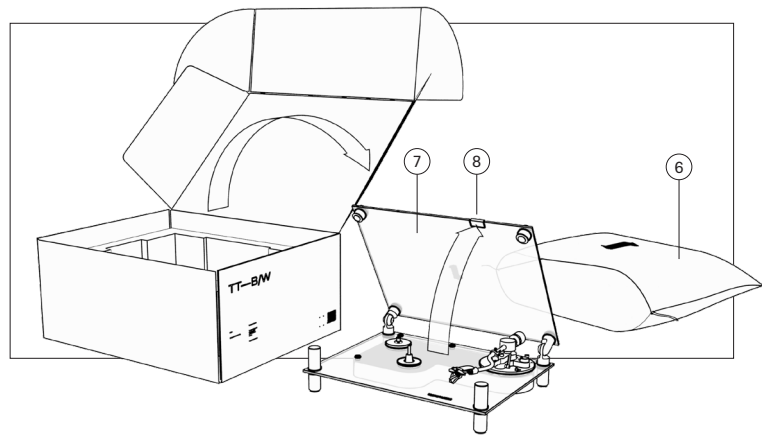
- 52. 蓝牙模块
- 53. 蓝牙按钮
- 54. 蓝牙LED指示灯
- 55. 蓝牙发射器/接收器开关
- 56. 蓝牙发射/接收器橡胶套
- 57. 无线模块供电线
- 58. 无线模块音频线
- 59. 接地螺母
- 60. 音频输出 RCA插座
- 61. 固件检查/升级按钮
- 62. 前置放大器开/关
- 63. USB-A 5V 插座
- 64. 音频输出 (AUX) 3.5mm插座
- 65. 蓝牙模块舱
- 66. 交流电源插座



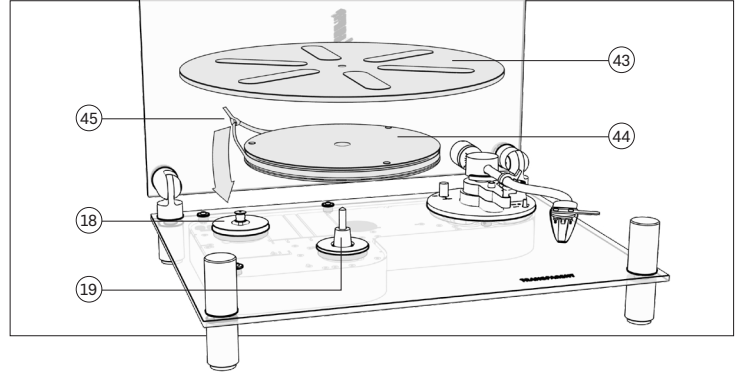
用户手册

设置指南

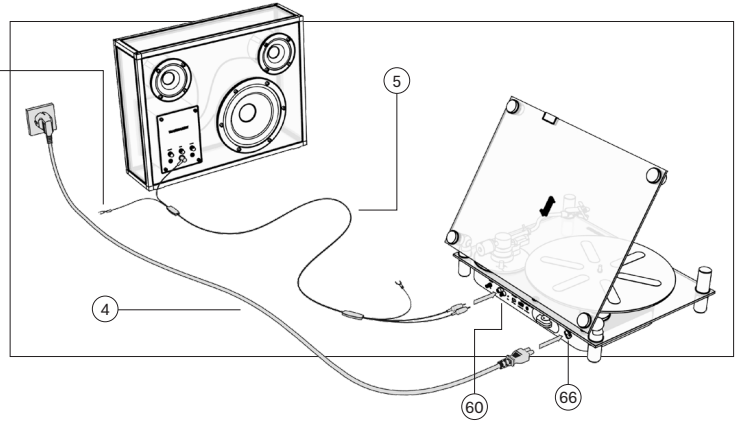
- 在您要使用的扬声器附近打开透明玻璃唱盘的包装。确保附近有足够平坦的位置来放置唱片机和电源插座。
- 打开盒子。
- 戴上手套 (2)，取出整个顶部缓冲器 (3) 并暂时将其收起。
- 从包装中取出转盘。
- 打开产品袋 (6)，轻轻地将其开口拉过前柱，然后向后拉，露出整个转盘。
- 通过手指握持 (8) 打开防尘罩 (7)。



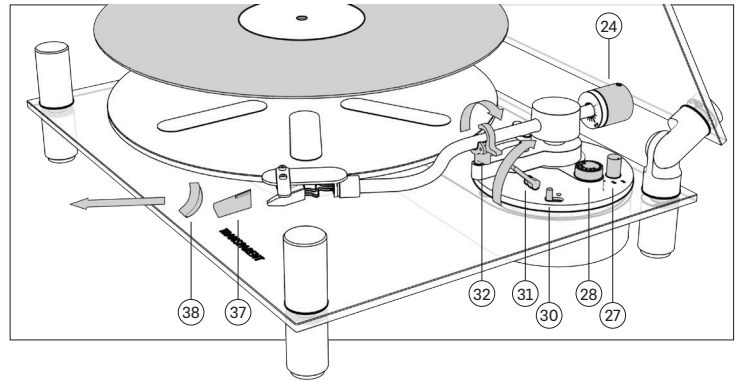
- 从包装中取出小唱盘—驱动转盘 (44)。
- 将小转盘—驱动转盘放在主轴 (19) 上，三个橡胶点朝上。
- 捏住小转盘上的橡胶皮带 (45) 的纸旗，将其拉过电机皮带轮 (18)，然后取下纸旗。
- 将大转盘 (43) 放在顶部，使六个橡胶条朝上。



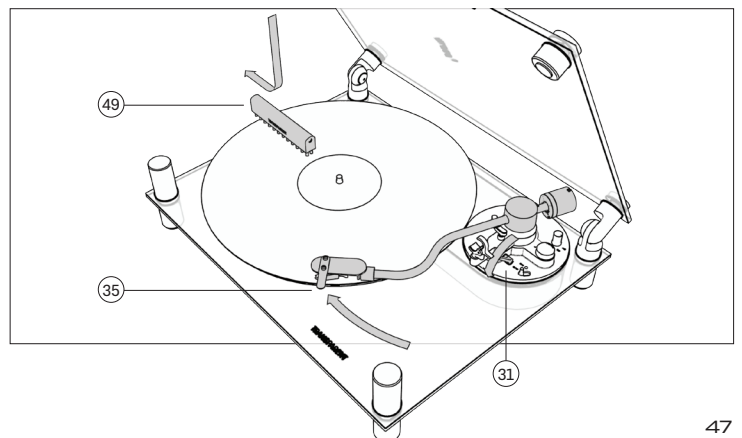
- 首先将电源线 (4) 连接到转盘背面的交流电源插座 (66)，将另一端连接至家用插座。
- 将音频输出线 (5) 的迷你插孔连接到扬声器或放大器上的“线路输入”，然后将音频输出线的 RCA 端插入转盘背面的 RCA 音频输出插座 (60)。确保将白色插头插入白色连接器，将红色插头插入红色连接器。
- 音频输出线上 Y 形地线的说明 (小型透明扬声器所需) 请参见第 48 页。
- 有关通过两个扬声器播放的信息，请参阅第 48 页。
- 有关通过蓝牙播放的信息，请参阅第 48 页。
- 确保您的扬声器已打开且音量至少为 50%。
- 确保转盘背面的前置放大器开关 (62) 处于“打开”位置。如需与外部放大器一起使用，请将前置放大器开关转至关闭位置。
- 现在将转盘放在您想要的位置。我们建议在提起和移动转盘时佩戴手套并开始关闭防尘罩。
- 如果转盘下方的表面不平整，您可以使用普通的平头螺丝刀调整橡胶脚 (15) 的水平。



- 唱臂配重 (24) 已预先校准，因此无需设置重量。有关跟踪力校准说明，请参见第 49 页。
- 拆下运输过程中固定唱针保护套 (37) 的橡皮筋 (38)，同时取下唱针保护套。
- 将您最喜欢的黑胶唱片放在唱盘上。
- 将电源开关 (30) 移至打开位置。
- 仔细检查速度 RPM 设置旋钮 (27) 是否位于 33 RPM 位置 (这是最常见的录音速度)。有关以 45 RPM 播放单曲的信息，请参阅第 48 页。
- 仔细检查防滑旋钮 (28) 是否位于位置 2。有关防滑设置，请参阅第 49 页。
- 松开唱臂锁扣 (32)。
- 通过提起唱臂升降杆 (31) 来升起唱臂。



- 捏住唱臂手柄 (35) 来移动唱臂，并将唱针定位在唱片开头边缘上方。到现在为止，记录应该已经开始旋转了。
- 如果唱片上有灰尘或颗粒，请花点时间使用唱片清洁刷 (49) 清洁唱片。当唱片旋转并且唱臂处于向上位置时，将刷子降低到唱片的左侧，这样它就可以同时清洁唱片的所有轨道，无需来回移动刷子，只需让它抓住即可。唱片旋转时清除碎片，然后将其从唱片中移出。
- 通过降低唱臂升降杆 (31) 来降低唱臂。
- 您现在应该听到音乐。如果需要，使用音调旋钮 (23) 微调速度。调节扬声器的音量并享受这一刻。



- 唱片播放完成后，马达将停止转动。播放完毕后，首先抬起唱臂升降杆，抓住唱臂手柄并将唱臂移回其静止位置。降低唱臂升降杆，锁住唱臂锁扣。盖上防尘盖。

防尘盖

打开和关闭防尘盖时，请务必使用手指握把 (8)，以免弄脏玻璃。

播放唱片或不使用时，应将盖子放下防尘。

如果您发现铰链力太强或随着时间的推移可能太松，请使用连接到主机底壳的组装工具 (39) 并拧紧铰链螺钉以找到所需的铰链力。如果将转盘倒置，请记住取出所有盘片并戴上手套。

如果由于某种原因您更喜欢使用不带防尘罩的转盘，则只需用手指即可将其拆卸：

- 拧下顶部的四个支柱螺丝 (9)，取下防尘盖和两个顶部支柱 (11)。
- 拧下两根前柱 (13) 和两根铰链柱 (12) 并收起。
- 安装四个支柱螺钉，这次穿过底座并向下进行到底部支柱 (14)。确保每个都有一个垫圈 (10) 以保护玻璃。

如果您发现前柱和顶柱未完全对齐：

- 拧下两个顶柱螺丝，重新定位顶柱，使它们与两个前柱对齐，然后再次拧紧。如果需要，请在前柱上重复此过程。

速度设置

大多数唱片使用 33 1/3 RPM 速度，因此这是默认速度设置。

一些唱片（通常是较小的唱片或单曲）使用 45 RPM 的速度。这些唱片通常有一个较大的转轴孔，因此在放置唱片时应使用随附的 45 RPM 适配器 (47)，并且应将速度 RPM 设置旋钮 (27) 更改为 45。

如果您觉得音乐播放速度需要进一步微调，您可以使用精确速度/音调旋钮 (23)。

通过音频线连接小型透明扬声器/避免产生地面噪音

转盘拾音器是敏感设备，它们可以在各种情况下拾取各种不需要的噪音。它可能取决于各种扬声器内部电子元件的接地或屏蔽。当从转盘上播放时，小型透明扬声器上的底部线路输入插座有时会导致不必要的地面噪音，我们开发了一种方法来处理这个问题。RCA 音频输出线 (5) 有一根小接地线，两端有一个小“Y 形”接地叉。该叉子的两侧均固定在接地螺钉 (59) 上。

首先将 RCA 音频输出线插入转盘 RCA 音频输出插座 (60)，然后翻转 STS 使其侧面向上露出连接器，然后将迷你插孔插入 STS 音频输入。

在转盘侧，接地螺钉位于 RCA 音频输出插座的左侧。用手指将叉子拧到接地螺钉上。在扬声器一侧，将 USB 接地适配器 (46) 插入 USB 插座，并将叉形件拧到接地螺钉上。

现在您可以按照正常步骤开始播放唱片。

注意：如果播放到 STS 上的前线路输入插座或播放到大型透明扬声器，则无需使用地线叉或 USB 接地适配器。

通过音频线向两个扬声器播放

所有透明扬声器均配有音频线。可以从转盘上的 3.5 毫米线路输出插座 (64) 到透明扬声器背面、后面或前面的 3.5 毫米线路输入插座（取决于型号）使用。

然后可以使用 RCA 音频线连接第二个扬声器以同时播放。

如果其中一个扬声器是小型透明扬声器，请参阅上面的 USB 接地适配器 (46) 使用说明。

如果您播放两个小型透明扬声器，我们建议使用带有地线的 RCA 音频输出 (5) 连接到底部线路输入，并将包含 STS 的音频线连接到第二个扬声器的前部音频输入。有关透明扬声器或小型透明扬声器的左/右声道选择，请参阅相应的用户手册。

注意：如果您想播放一对传统扬声器，我们建议使用 RCA 音频线将转盘 RCA 音频输出插座 (60) 连接到已连接（无源）扬声器的现有放大器上的音频输入插座。在这种情况下，请勾选关闭 TT 背面的前置放大器开关 (62)。

通过蓝牙连接一台扬声器播放音乐

透明玻璃转盘应与市场上大多数蓝牙扬声器和耳机兼容，但我们不能保证与所有的蓝牙协议兼容。以下说明将重点介绍与透明扬声器的配对。注意！您的智能手机不需要将扬声器与转盘配对。

- 确保转盘和扬声器均已打开。
- 按透明扬声器（或其他支持蓝牙的扬声器）上的蓝牙按钮。
- 按透明玻璃转盘上的蓝牙按钮 (53)。请注意蓝牙 LED 指示灯 (54) 在配对模式期间如何开始更快地闪烁，并在建立连接后再次变慢。您还应该在扬声器中听到确认连接的声音效果。

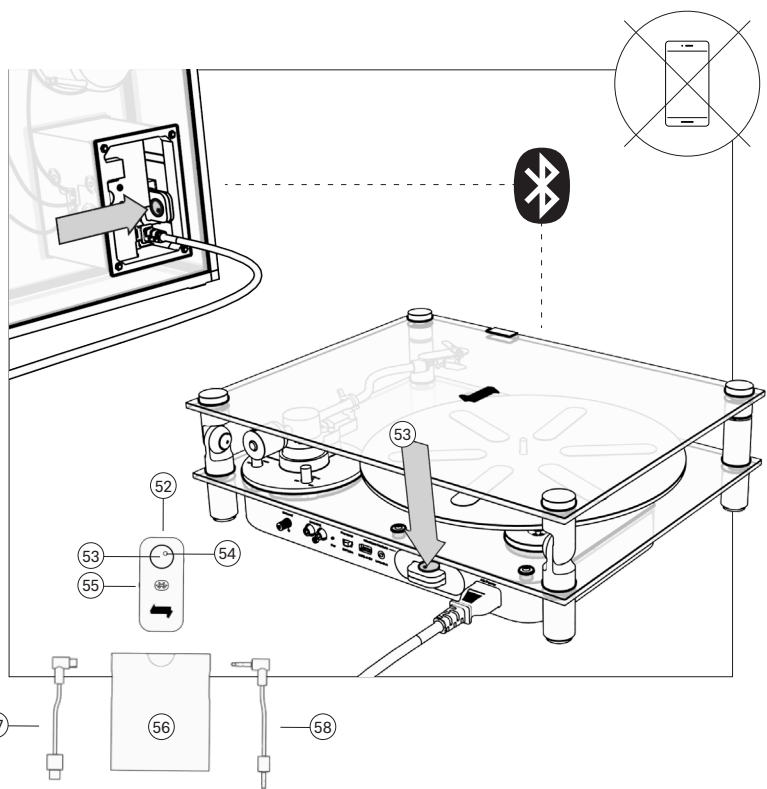
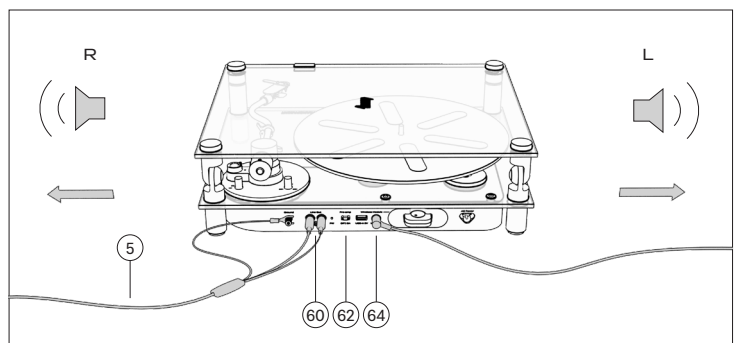
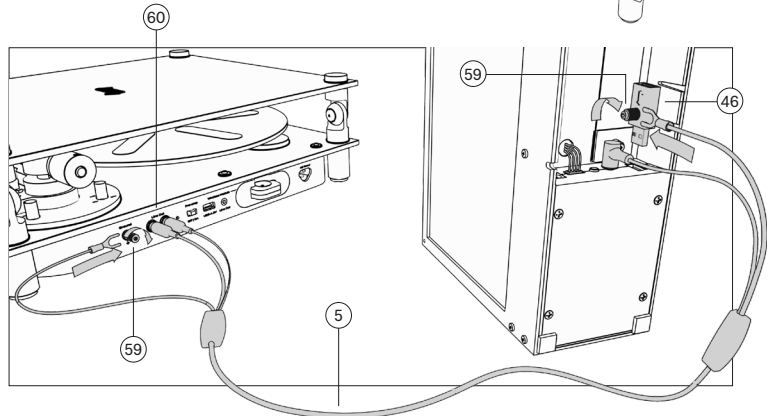
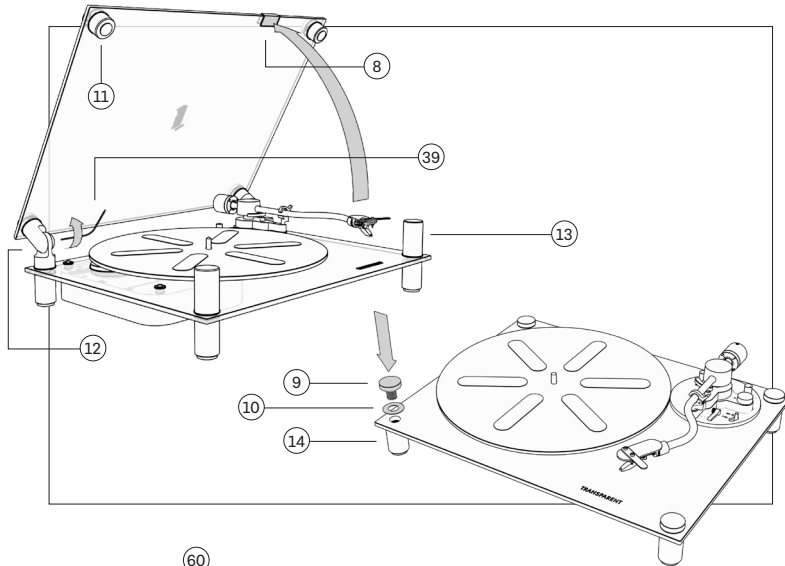
故障排除：

- 确保扬声器和转盘距离足够近。在某些情况下，间距不超过几米。
- 在所有之前配对的智能手机、平板电脑、电脑、电视等的蓝牙设置中，选择透明扬声器的“忘记设备”。这是为了避免在配对操作期间扬声器连接到转盘以外的其他设备。
- 长按扬声器和转盘上的蓝牙按钮（通常 +6 或 +10 秒）直到蓝牙 LED 指示灯快速闪烁，即可恢复出厂设置。
- 确保扬声器侧的蓝牙模块设置为“接收器”（STS 上不适用），转盘侧的蓝牙模块设置为“发射器” (55)。
- 确保转盘蓝牙模块确实已打开，按钮上应该有一个缓慢闪烁的红灯。否则（取下所有唱片和两个盘片并戴上手套后）小心地将转盘翻转过来并检查蓝牙模块舱 (65)，以便隔间内的两条电缆 (57、58) 充分插入转盘和蓝牙模块。

通过蓝牙播放两个扬声器

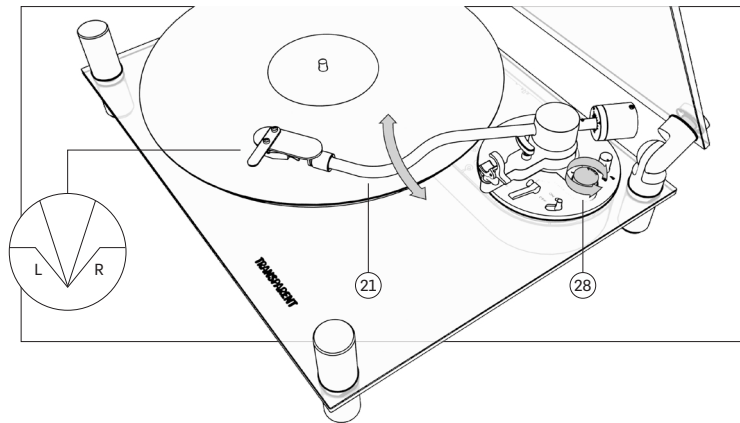
透明玻璃唱盘机应与市场上大多数蓝牙扬声器和耳机兼容，但我们不能保证真正的无线配对与所有时段的所有协议的兼容性。以下说明将重点介绍与透明扬声器的配对。

- 如果您有任何之前与智能手机、平板电脑、笔记本电脑、电视等配对的扬声器，请导航至蓝牙菜单并选择“忽略设备”。然后长按扬声器蓝牙按钮上的 FW 重置。
- 将扬声器和玻璃唱盘机放在同一个房间内，彼此之间的距离不超过 5 m，最好更近。
- 确保扬声器和玻璃唱盘机均已打开。
- 长按第一个扬声器上的蓝牙按钮，并在红色 LED 指示灯亮起时松开，并听到“True Wireless Pairing Mode”命令。然后对第二个扬声器执行相同的操作。
- 提示：打开智能手机蓝牙设置，然后等待两个扬声器都显示在蓝牙新设备列表中（但不要在屏幕上选择它们）。
- 现在按下转盘上的蓝牙配对按钮 (53)。
- 现在连接应该已完成。
- 如果使用两个小型透明扬声器或轻型扬声器或它们的组合，它们应自动进入“左”和“右”通道模式。否则，可以通过长按进行调整（请参阅扬声器底部说明）。对于大型透明扬声器，您可以通过后面板上的开关手动进行此选择。



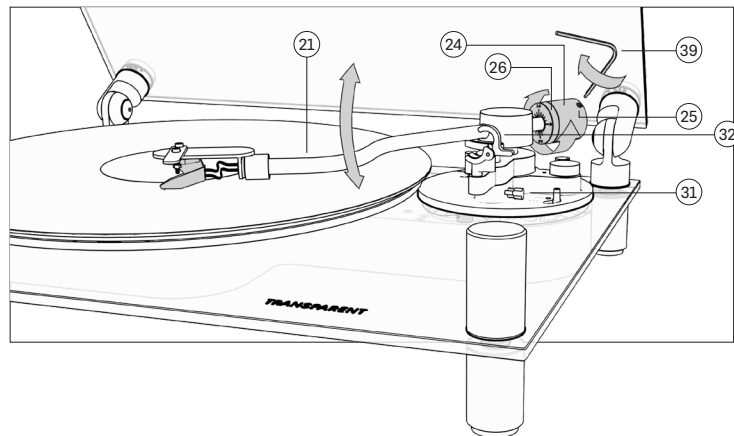
防滑

唱臂 (21) 尖端的小“针”或“触针”从唱片上的 V 形凹槽拾取音乐振动。V 形的内侧或“左侧”保存了音乐录音的左声道的所有声波信息，反之亦然。唱臂自然想要靠近唱片的中心，但如果它向内拉动或“滑行”得太用力，就会太用力地推动左声道一侧，进而造成音乐中右声道的失真。如果您听到这种情况发生，您可以通过增加防滑旋钮 (28) 上的防滑力来减少唱针向内“滑行”的程度。反之亦然，如果您听到音乐中左声道的失真，您应该降低防滑力。目的是让触针在 V 形槽的中间行进。TT 上的默认防滑设置应为 2。



垂直针压/唱臂配重器校准

- 您的 TT 抵达时应带有预先校准的唱臂配重 (24)。但如果需要，请按照以下步骤操作。
- 打开防尘盖，使用装配工具 (39) 松开配重固定螺钉 (25)。
- 松开唱臂锁扣 (32)，但将唱臂升降杆 (31) 保持在向下位置。
- 用手指抓住配重，将其向外拧，直到唱臂从静止位置升起。
- 在唱片上向内旋转唱臂。现在轻轻地拧回配重，直到您看到完美平衡的唱臂。它不必完全水平，但应该漂浮在半空中而不向上或向下移动。给它一些时间，当您找到完全平衡的位置时，轻轻抓住可旋转配重刻度盘 (26) 并将其转动到 0 位置。您需要防止其余的重量旋转，因此您可能需要用另一只手将其固定到位。
- 了解您的唱头的推荐针压。例如，Ortofon OM5E 可以在 Ortofon 网站或用户手册上找到的重量为 1.75g。通常设置为 2g，因此如果您不确定，我们建议您使用此设置。
- 现在将整个配重（包括刻度盘）转到唱头的推荐针压。
- 最后拧紧其中一颗固定螺钉以固定已校准的配重位置。



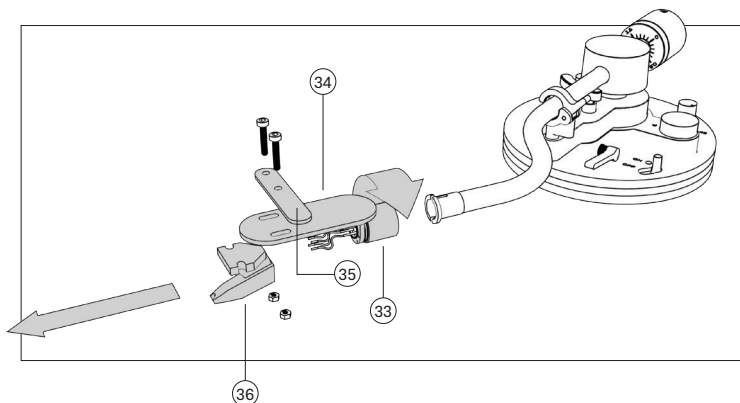
更换唱头

通常，唱头 (36) 是预先安装的。否则，使用唱臂手柄 (35) 上的两个安装螺钉将唱头安装到铝制唱头锁紧圈 (34) 中。可以安装所有带有标准半英寸安装孔的唱头。

如下所示连接唱头电线：

- 白色：左声道L+
- 红色：右声道R+
- 绿色：右声道R-
- 蓝色：左声道L-

使用盒式磁带校准工具沿整条记录校准新盒式磁带（说明如下）。



更换唱针

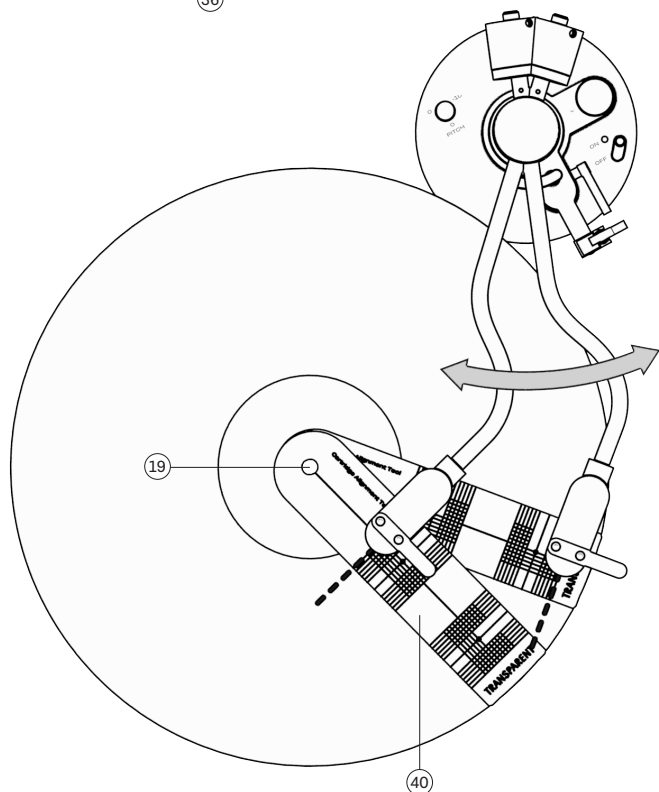
唱针位于唱头的前部。损坏或磨损的唱针可能会损害您收藏的唱片，应予以更换。从唱头中拔出唱针并更换新唱针之前，请先取下唱针保护套。预装唱头 Ortofon OM5E 的替换唱针类型是“Stylus OM5E”。如果仅更换 Ortofon OM5E 上的唱针，通常无需重新对准唱头或重新调整针压。

更换唱头盖

如果您想使用另一个唱头盖 (34)，只需拧下唱头锁紧圈 (33)，然后向外拉动唱头盖即可将其释放。插入另一个兼容 SME 连接器的唱头盖，用手指将其拧紧到位，然后使用唱头对齐工具沿整张唱片对其进行校准（说明如下）。

唱头校准

- 首先从主机底部取出唱头校准工具 (40)。
- 为确保转盘在对齐过程中不会移动，请将小纸板楔子（或类似物）放置在转盘外边缘下方。
- 将唱片放在转盘上。
- 松开唱臂锁扣。
- 将唱臂升降杆提升至上方位置。
- 稍微拧松唱头螺钉，以便进行调整。
- 在唱头盖中向前或向后移动唱头，将唱针尖端放置在唱头盖推荐的悬重点处。如果没有推荐的悬重点，请将唱头放置在唱头盖的中间。
- 平衡唱臂并暂时施加 1 克的跟踪力。
- 将对准工具的孔滑到转盘主轴 (19) 上，然后将对准工具放在唱片上唱针循轨的区域上。
- 内部（靠近唱片中心）对齐点：降低唱臂控制杆，使唱针尖靠在工具上的内部唱针尖标记上。如果唱头两侧与工具上的参考线不平行，请抬起唱臂控制杆并通过两个顶部螺丝调整唱头位置，使其与量角器上的参考线平行。
- 外部对齐点：对对齐工具上的外部触针尖端标记重复此过程。
- 在两个点上重复此过程，直到盒体在两个点上平行，或尽可能接近平行。如果唱头角度尺只能在一点处平行，请选择内部点（更靠近唱片中心）。
- 调整过程完成后，完全拧紧唱头安装螺钉。
- 最后重置唱臂配重的正确跟踪力。



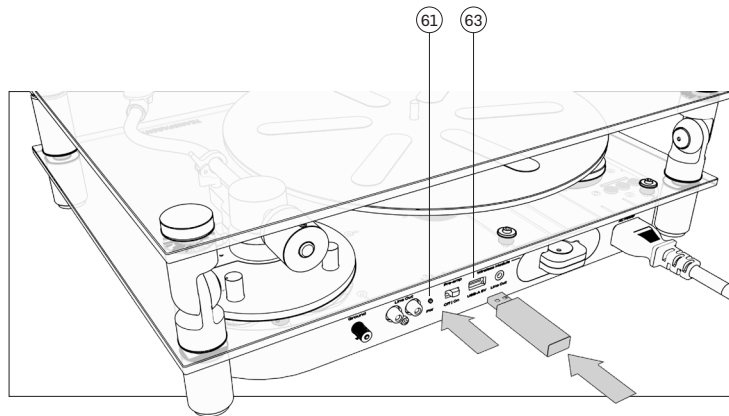
维护

您的电唱机几乎不需要或不需定期维护。用附带的布 (42) 稍微沾湿, 轻轻除去灰尘。切勿使用干布, 因为这会产生静电, 从而吸引更多灰尘。抗静电清洁剂可在专卖店购买, 但必须谨慎使用, 以免损坏橡胶部件。建议在进行清洁或维护之前安装唱针保护套 (37), 以避免损坏。如果播放器长时间不使用, 则可以拆下橡胶皮带 (45) 以防止不均匀的拉伸。建议每 1-2 年更换一次橡胶皮带, 以保持一致的播放效果。将旧橡胶皮带放在热水中煮沸可以恢复强度, 因为它会收缩一点。

固件版本/固件升级

TT electronics 的固件 (FW) 可以随着时间的推移进行更新。您可以通过单击背面的固件按钮 (61) 检查您的固件版本。然后, 唱臂底座上的 LED 将发出多次闪烁信号以指示固件版本。版本 01 是一次闪烁, V02 是两次闪烁, 依此类推。如果您已与透明支持团队联系并收到新的固件文件, 并且您将其存储在 USB-A 记忆棒上:

- 打开转盘电源并将 USB 记忆棒插入背面的 USB-A 插座 (63)。
- 按住 FW 按钮。当 LED 开始闪烁时 (大约 5 秒后) 松开按钮。现在新的固件版本将上传到转盘。
- 重要提示: 固件升级期间请勿关闭转盘电源, 因为这可能会损坏内部存储器。
- LED 停止闪烁后, 您可以弹出 USB 优盘, 如果您想通过单击检查新的固件版本。



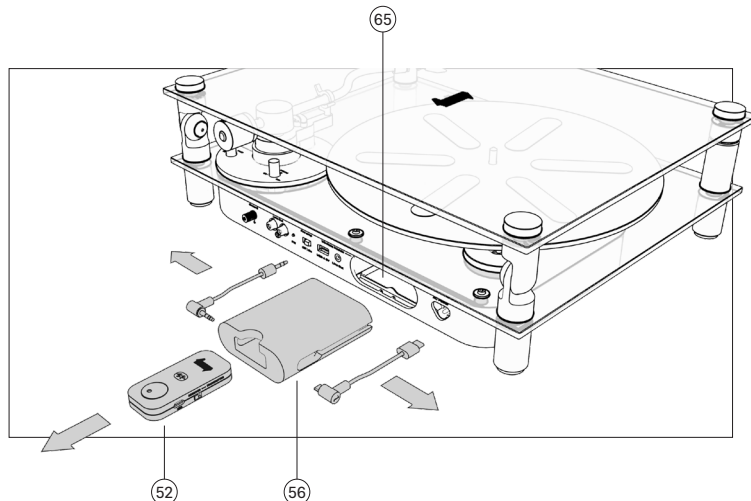
硬件升级

透明™以循环设计理念为生。其中很大一部分是努力让我们的产品适应任何未来的场景, 这样主要产品就不会过时, 而是可以随着技术的发展而升级和改进。

除了已经描述过的唱头和头壳之外, 很可能在第一代 TT 发货几年后还需要一个新的无线模块。

无线模块隔室 (65) 具有固定蓝牙模块 (52) 的橡胶套 (56)。如果您希望升级到新的无线模块, Transparent 可能会提供升级, 请访问我们的网站 <https://transpa.rent> 并查找升级。

如果您从透明获得升级, 它可能会附带一个新的硅支架, 也许还有新的电缆。在这种情况下, 您只需弹出整个硅支架并插入新的, 确保在此操作过程中电缆正确插入。可能还有第三方无线发射器, 可以通过 USB 5V 供电, 并且有一根线插入插座。请随意尝试此操作, 并使用例如双面垫将第 3 方模块固定在隔间中 (如果合适)。



拆卸

您的透明转盘采用完全模块化设计。如果任何部件需要维修或升级, 则应使用连接到主机底部的组装工具 (39) 来完成。

TT 中的所有螺钉均可通过该工具的一端操作。

在开始任何拆卸工作之前, 请务必拔掉电源线和音乐线。

如防尘罩部分所述, 铰链和支柱是手工拆卸的。之后, 您可以使用组装工具释放其余组件。

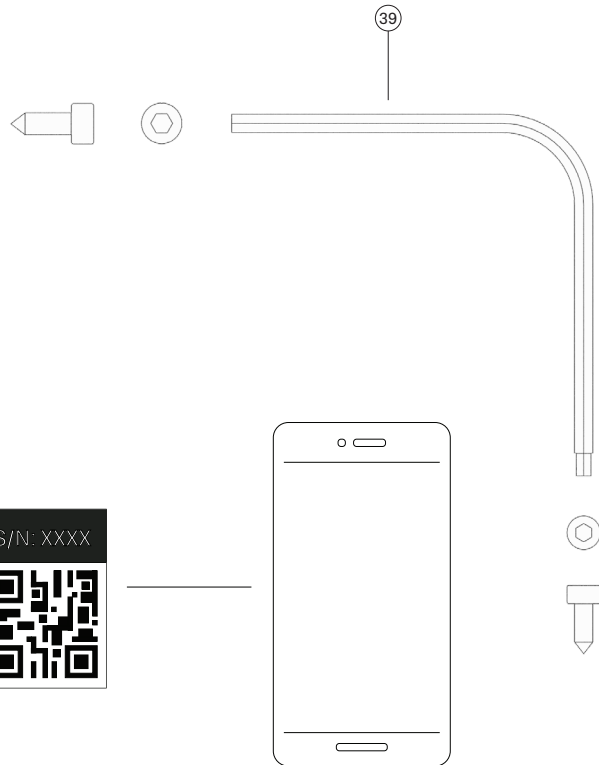
重要提示: 我们不建议您打开主机盒, 除非您有专业经验, 或者得到透明玻璃唱盘支持团队的指导。否则您可能会损坏敏感组件, 如果继续使用, 则存在触电风险!

所有拆卸活动均由您自行承担风险, 并将导致保修失效。

回收

如果需要, 透明玻璃转盘可以完全拆卸成单独的材料 (电路板除外, 在撰写本文时仍需要将其焊接在一起)。

如果您最终需要丢弃过时或损坏的零件, 请确保将它们分类并回收到您当地各自的废物流中。如有疑问, 请通过 support@transpa.rent 联系我们的支持团队



保修单

透明提供 2 年保修作为标准。请咨询您当地的经销商或 <https://transpa.rent> 寻求进一步帮助。

扫描以便可追溯

请扫描您的二维码贴纸。您的透明转盘有一个唯一的序列号, 它将引导您在线发现多个产品特定的信息。您可能会找到一个交互式二氧化碳影响工具来进一步深入了解 TT 的可追溯性。您可能会找到有关升级和服务的特定于产品和世代的建议。

服务与支持

如果您有任何疑问, 请通过电子邮件 support@transpa.rent 与我们联系。

联系方式

Transparent Sound AB
Döbelngatan 47
113 52 Stockholm
Sweden

<https://transpa.rent>

技术规格

一般的

标称速度：33 1/3 和 45 RPM
 速度偏差：33：±0.70% 45：±0.60%
 波动和抖动：33：±0.25% 45：±0.25%
 信噪比：1kHz 时 ≥ 70dB，A 计权 0dB
 跟踪力：1.75克
 唱臂有效质量：13.5g
 有效唱臂长度：220mm
 悬垂：19.5mm
 最大功耗：15W
 尺寸（宽 x 高 x 深）：410 x 125 x 320 毫米
 重量：6.5公斤
 包装尺寸（宽x高x深）：580 x 240 x 460mm
 重量包括包装：7.0公斤
 额定输入电压：100-240Vac，@50/60Hz。

MM 唱机前置放大器

增益：34dB+/-2dB
 输出电压：5mV/1kHz 输入时 > 220 mV/1kHz
 输入阻抗：47kOhms/100pF
 RIAA 均衡曲线精度：20Hz-15kHz / 最大 2分贝。

蓝牙 5 模块（预装在 TT Gen 1 中）

蓝牙版本：5.0
 正常或真正的无线（立体声）配对
 用于数字光纤和模拟信号的 3.5 毫米端口
 uUSB 端口提供 5V 电源
 双模式：在发射器 (TX) 和接收器 (RX) 之间切换 - TT 中的默认值应为 TX
 芯片：高通 CSR8670C
 编解码器：aptX LL / SBC / MP3 / AAC
 延迟：极低<40ms
 镀金触点，实现完美信号传输
 多种设置选项，灵活使用
 多重可配置 I2S、SPDIF 接口
 内置 16 位立体声编解码器 - DAC 信噪比为 95dB
 D/A 转换 16 位/96 kHz
 A/D 转换 16 位/48 kHz
 温度范围：5 至 +50 °C
 允许相对湿度：5 - 90%
 供电电压：5V
 尺寸：33 x 62 x 12（宽 x 高 x 深，单位：毫米）
 重量：0.02公斤

MM 唱头 Ortofon OM 5E

频率范围：20-25.000Hz +3 / -3
 1000 Hz、5cm/s 时的输出电压：4 mV
 1 kHz 时的通道平衡：2 dB
 1 kHz 时的通道分离：22 dB
 15 kHz 时的通道分离：15 dB
 315Hz、推荐跟踪力（典型值）下的跟踪能力：60 μm
 顺应性、动态、横向：20 μm/mN
 手写笔类型：椭圆形
 触针尖端半径：r/R 8/18 μm
 跟踪力范围：1.5-2.0 g (15-20 mN)
 建议跟踪力：1.75 g (17.5 mN)
 跟踪角度：20°
 内部阻抗、直流电阻：750欧姆
 内部电感：450 mH
 推荐负载电阻：47 kOhm
 推荐负载电容：200-500 pF
 墨盒颜色、机身/手写笔：黑色/黑色
 墨盒重量包括 额外重量：5克
 滤芯重量不含 额外重量：2.5克
 替换手写笔单元：Stylus 5E
 OM 5E 配备椭圆形手写笔，可提供平衡且不失真的播放。由于其轮廓形状，椭圆形钻石能够比球形钻石更准确地跟随凹槽振荡。这会带来更好的跟踪效果和更少的失真。

材料

玻璃：明亮的钢化玻璃
 铝：AL6061 - 估计 50% 回收成分
 塑料：ABS V0+UV - 100% 回收成分
 纸张和纸板：100% FSC 认证
 整机布袋：水刺布
 包装防护：EPE

重要安全说明

- 1) 阅读这些说明。
- 2) 保留这些说明。
- 3) 注意所有警告。
- 4) 遵循所有说明。
- 5) 请勿在靠近水的地方使用本设备。
- 6) 只能用附带的布稍微沾湿来清洁。
- 7) 不要堵塞任何通风口。按照制造商的说明进行安装。
- 8) 请勿安装在任何热源附近，例如散热器、热调节器、火炉或其他产生热量的设备（包括放大器）。
- 9) 不要破坏极化或接地型插头的安全目的。
极化插头有两个刀片，一个比另一个宽。接地型插头有两个插片和第三个接地插脚。宽刀片或第三个插脚是为了您的安全而提供的。如果提供的插头不适合您的插座，请咨询电工更换旧插座。
- 10) 防止电源线被踩踏或挤压，特别是在插头、方便插座及其从设备引出的位置。
- 11) 仅使用制造商指定的附件/附件。
- 12) 在雷雨天气或长时间不使用时，请拔下本设备的电源插头。
- 13) 将所有维修工作交给合格的维修人员。当设备受到任何形式的损坏时，例如电源线或插头损坏、液体溅入或物体落入设备内、设备遭受雨淋或受潮、无法正常工作等，则

需要进行维修，或已被删除。
 14) 要完全断开本设备与交流电源的连接，请从交流电源插座上拔下电源线插头。
 15) 电源线的电源插头应保持易于操作。新加坡仅使用 3 针英国插头。

警告
 为降低火灾或电击风险，请勿将本设备暴露在雨中或受潮的环境中。

警告
 未经透明声音 AB 批准的更改或修改可能会导致用户操作设备的权限失效。

符号

注意：为防止触电危险，请勿拆下盖子（或背面）。内部没有用户可维修的部件。请合格的维修人员进行维修。

本设备不得作为普通家庭垃圾处理。WEEE（废弃电气和电子设备）的管理适用于欧盟成员国和其他欧洲国家有关 WEEE 管理的各个国家政策。如果您需要有关收集、再利用和回收系统的更多信息，请联系您当地或地区的废物管理部门。

该产品符合以下欧洲指令：
 • 能源相关产品指令 (EC) 278/2009 的生态设计要求
 • 无线电设备指令 (RED) 2014/53/EU
 • 低电压指令 (LVD) 2014/35/EU

• ITE 和 AV 设备的安全标准。符合北美 UL62368-1 要求，并通过加拿大 IEC62368-1 认证。

该产品符合 RoHS（有害物质限制指令）2011/65/EU 和 2015/863/EU (RoHS 3)

射电干扰要求 - FCC
 本设备符合 FCC 规则第 15 部分的规定。
 操作须满足以下两个条件：

- (1) 该设备不会造成有害干扰，并且
 - (2) 该设备必须接受任何收到的干扰，包括可能导致意外操作的干扰。
- 注意：本产品经过测试并证明符合 FCC 规则第 15 部分对 B 类数字设备的限制。这些限制旨在提供合理的保护，防止住宅安装中的有害干扰。该产品产生、使用并可以辐射无线电波频率能量，如果不按照说明安装和使用，可能会对无线电通信造成有害干扰。但是，不能保证不会发生干扰特殊安装。如果本产品确实对无线电或电视接收造成有害干扰，可以通过关闭设备来确定并鼓励用户尝试通过以下一项或多项措施来纠正干扰：
 -重新调整或摆放接收天线。
 -增加设备和接收器之间的距离。
 -将设备连接到与接收器所连接的电路不同的电路插座上。
 -咨询经销商或经验丰富的广播/电视技术人员寻求帮助。
 请注意，未经合规负责方明确批准的更改或修改可能会导致用户操作权限失效设备。

根据加拿大工业部法规，此无线电发射器只能使用经批准的类型和最大（或较小）增益的天线进行操作。
 加拿大工业部的发射器。为了减少对其他用户的潜在无线电干扰，天线类型及其增益的选择应确保等效各向同性辐射功率（e.i.r.p.）不超过成功通信所需的功率。

该产品符合在日本市场销售的电气产品的安全和 EMC（电磁兼容性）认证。适用法律为日本《DENAN 法》（电气用品安全法）。

韩国通信委员会：表示符合韩国电气和电子设备产品安全要求，由韩国标准协会批准的韩国认证机构颁发。

英国合格评定 (UKCA) 标志是一种合格标志，表明符合在英国（英格兰、苏格兰和威尔士）销售的产品适用要求。

UKNI 标志是在北爱尔兰市场上投放的产品合格标志，这些产品已接受指定机构的强制性第三方合格评定。

IEC 60417：识别主要为室内使用设计的电气设备。

本产品符合：

ETLus：UL62368-1
 FCC SDOC：FCC PART15B
 集成电路：ICES-003
 CE-LVD：EN62368-1
 CE-EMC：EN55032 + EN55035 + IEC EN61000-3-2 + IEC EN61000-3-3
 英国CA：BS EN62368-1+BS EN55032/35 +BS EN61000-3-2/3
 PSE：J62368

