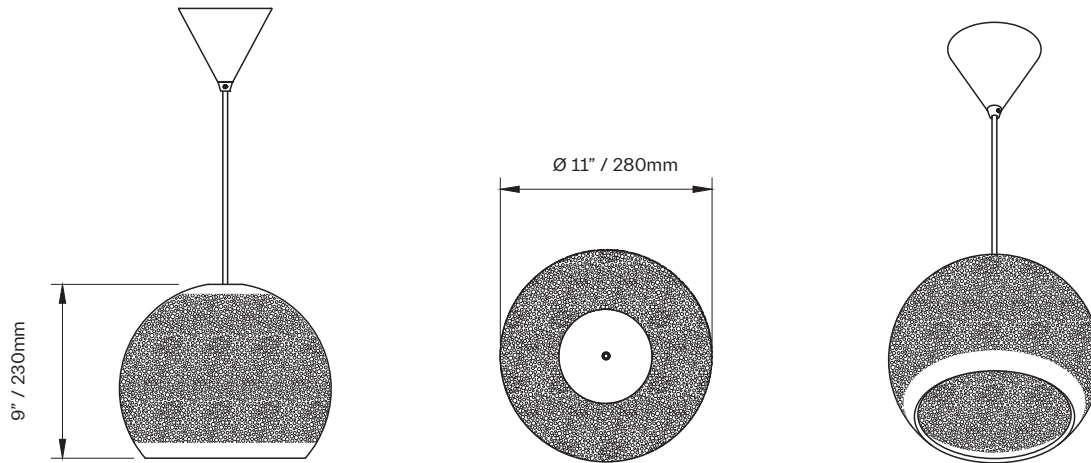


E27



Clay is a living material, the dimensions of our products may vary due to its contractions.

### Clay part reference

SPHG30/XXX\*

\*Change XXX to the desired color reference

### Textures and colors






The colors referenced in this technical data sheet are merely intended as a guide. Clay is a natural material, and its properties may vary the colors depending on the manufacturing process.

### Electric part reference

HG0/27.X\*\*

\*\*Change X to the desired cable & canopy reference

CODE	W	Y	B
CANOPY	WHITE	WHITE	BLACK
SAMPLE			
CABLE	WHITE	JUTE	BLACK

### Light source

220–240V / 50–60Hz.

MAX 10W LED / E27

Energy Class A+

### Installation / Important. ⚠

This luminaire, realized in Class II, has not be provided for earthing. For a correct installation, the length of the wire coming from the ceiling has not be to longer than 8 cm, to permit to the canopy to totally cover the wire. Please, shorten the insulated muff if the cable is too short. Indoor use only.

Clay part weight: : 2,4Kg/5,3Lb. Cable length: 2m.



INDOOR USE ONLY

