

# ONE MORE LOOK | MIRROR

Designed by Jonas Søndergaard



## DIMENSIONS (H x W x D)

118 x 78 x 15 cm / 46 x 31 x 6"



## MATERIAL

Solid oak, MDF, glass, steel (plated brass) and leather (faux leather)



## CONSTRUCTION

**Wood:** Solid oak. Dowel joinery. Reinforced with glue. Clear top coat wood finish. **Cabinet front:** Painted MDF. **Steel:** Main bracket is powder coated. **Chain & Hinges:** Brass plated **Magnets:** Heavy duty ferrite magnet. **Mirror:** Hardened glass. **Tray:** Leather (faux leather).



## WEIGHT INCL. PACKAGING

Box 1: 13.5 kg / 30 lb  
Box 2: 1 kg / 2.2 lb



## PACKAGING DIMENSIONS (L x W x H)

Box 1: 86.5 x 46 x 23 cm / 34 x 18 x 9"  
Box 2: 26.5 x 27.5 x 3.5 cm / 10.4 x 11 x 1.4"



## ASSEMBLY TIME

45 min - video guide at [umage.com](https://umage.com)



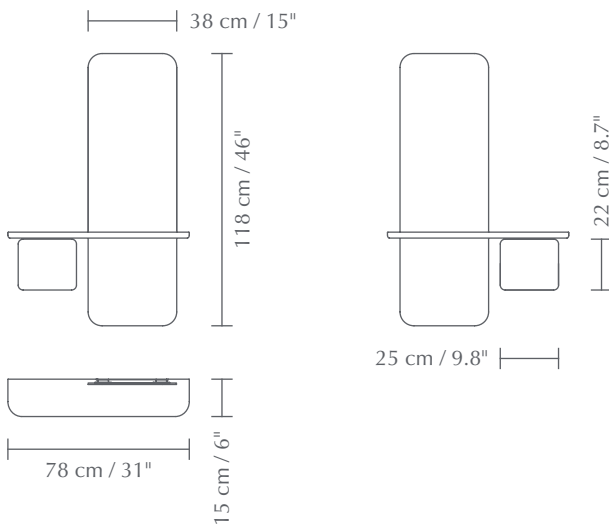
## MEDIA KIT

Photos and press material  
Download at [umage.presscloud.com](https://umage.presscloud.com)



## ORDERING INFORMATION

|  |              |
|--|--------------|
| One More Look oak pearl white          | #5620+5620-1 |
| One More Look oak anthracite grey      | #5620+5620-2 |
| One More Look oak forest green         | #5620+5620-3 |
| One More Look oak petrol blue          | #5620+5620-4 |
| One More Look oak ruby rose            | #5620+5620-5 |
| One More Look oak saffron yellow       | #5620+5620-6 |
| One More Look dark oak pearl white     | #5820+5620-1 |
| One More Look dark oak anthracite grey | #5820+5620-2 |
| One More Look dark oak forest green    | #5820+5620-3 |
| One More Look dark oak petrol blue     | #5820+5620-4 |
| One More Look dark oak ruby rose       | #5820+5620-5 |
| One More Look dark oak saffron yellow  | #5820+5620-6 |



## Colour variations



oak



dark oak



black oak



pearl white  
(RAL: 9001)



anthracite grey  
(RAL: 7016)



forest green  
(RAL: 6004)



petrol blue  
(RAL: 5001)



ruby red  
(RAL: 3032)



saffron yellow  
(RAL: 1004)



# ONE MORE LOOK | MIRROR

Designed by Jonas Søndergaard



One More Look, oak, anthracite grey



One More Look, oak, petrol blue

## ONE MORE LOOK MIRROR – CATCH A GLANCE FROM ALL ANGLE

One More Look is a light and airy mirror with a minimalistic Scandinavian feel and a number of added functions to meet the everyday needs of urban living.

Taking up minimal space, One More Look is ideal for hallways of all sizes and could also work well in the bedroom or in hotels and office corridors.

The elegant full-length mirror is just the right height for checking your whole appearance before you leave home and inside the stylish coloured cabinet is an extra removable hand-held mirror.

Smaller items like your keys, makeup, sunglasses, bicycle lights and spare coins can be placed in in the leather tray in the cabinet.

*Find more info on our website [umage.com](https://umage.com)*

