

# PAFF | BENCH

Designed by Søren Ravn Christensen



## DIMENSIONS (H x W x D)

Paff low: 30.5 x 94 x 35 cm / 12 x 37 x 13.8"  
Paff tall: 46.5 x 94 x 35 cm / 18.3 x 37 x 13.8"



## MARKINGS, TESTS & CERTIFICATIONS

EN 16139 Furniture – Seating (Level 1)  
EN 17191 Furniture – Seating for children  
EN 71-3 Toy safety – Migration of certain elements



## MATERIAL

Oak, (MDF, polyester and plywood)



## WEIGHT

Paff low: 8.3 kg / 18.3 lb  
Paff tall: 9.1 kg / 20.1 lb



## WEIGHT INCL. PACKAGING

Paff low: 12.4 kg / 27.3 lb  
Paff tall: 13.3 kg / 29.3 lb



## ASSEMBLY TIME

10 min



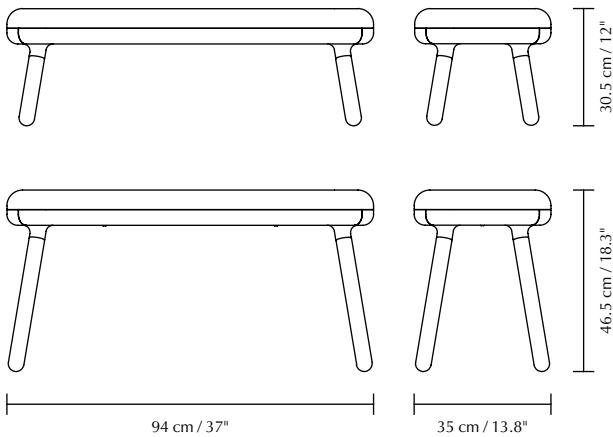
## MEDIA KIT

Photos and press material  
Download at [umage.presscloud.com](https://umage.presscloud.com)



## ORDERING INFORMATION

Paff low bench sugar brown	#5611C5610-1C733-01
Paff low bench white sands	#5611C5610-1C733-02
Paff low bench sterling	#5611C5610-1C733-03
Paff low bench shadow	#5611C5610-1C733-04
Paff tall bench sugar brown	#5611C5610-2C733-01
Paff tall bench white sands	#5611C5610-2C733-02
Paff tall bench sterling	#5611C5610-2C733-03
Paff tall bench shadow	#5611C5610-2C733-04



## Colour variations



oak



sugar  
brown



white  
sands



sterling



shadow

  
**UMAGE**

# PAFF | BENCH

Designed by Søren Ravn Christensen



Paff tall bench, oak, shadow

Paff is a versatile bench, perfect for everything from the children's room to the entry way. Place your Paff bench in the living room for an extra seat when having guests over or have it in the entryway as the ideal spot to comfortably sit down and put on your shoes before heading out the door.

Find more info on our website [umage.com](https://umage.com)

