

NATIVE UNION / LA BOITE CONCEPT

PR / 01

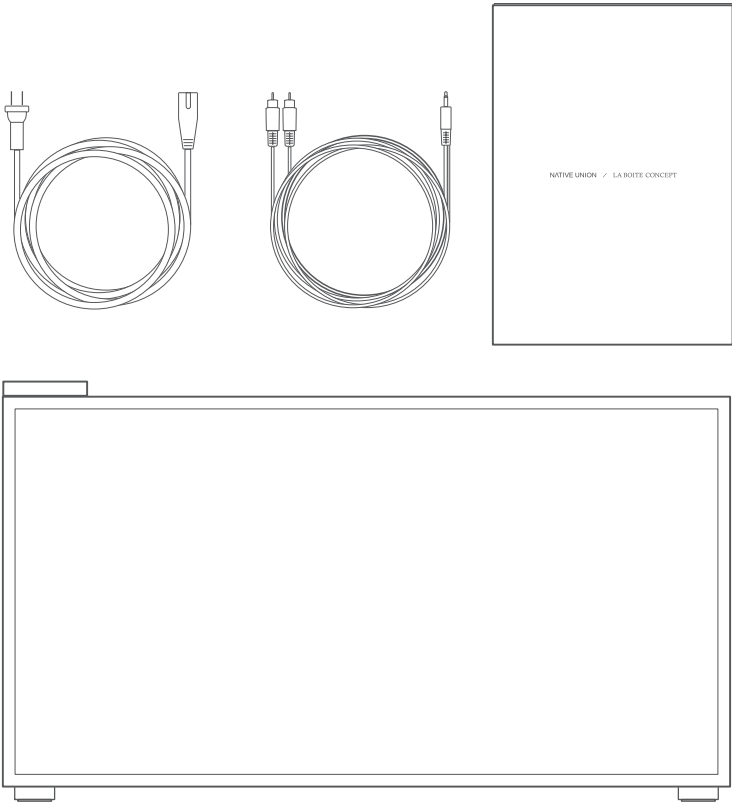
USER MANUAL

TABLE OF CONTENTS

1	TABLE OF CONTENTS
2	YOUR PR/01 SPEAKER BOX CONTENTS
3	SAFETY INFORMATION
8	NATIVE UNION LIMITED WARRANTY
10	LA BOITE CONCEPT LIMITED WARRANTY
12	GENERAL DESCRIPTION
14	QUICK START i. IDEAL POSITIONING OF THE PR/01 IN YOUR ROOM ii. TURNING THE POWER ON / OFF iii. CHOOSING YOUR SOURCE
15	USING THE PR/01 WITH YOUR DEVICES i. BLUETOOTH® APTX CONNECTION ii. CABLE CONNECTION iii. USB CHARGER iv. WIRELESS CHARGER
18	WHAT TO DO ? i. TO CLEAN YOUR PR/01 ii. NO POWER iii. NO SOUND iv. THE SOUND IS DISTORTED OR BUZZES v. BACKGROUND NOISE AND UNDESIRABLE INTERFERENCES vi. BLUETOOTH® ISSUES
20	TECHNICAL SUMMARY

YOUR PR/01 SPEAKER

BOX CONTENTS



- 3 power cords (C7 connector to EU plug, US plug, UK plug)
- Audio cord (RCA to 3.5mm stereo jack)
- User Manual and Warranty card
- The main speaker with wooden enclosure and removable front panel

SAFETY INFORMATION

1. Read these instructions.
2. Keep these instructions.
3. Heed all warnings.
4. Follow all instructions.
5. Do not use this apparatus near water.
6. Clean only with a dry cloth.
7. Do not block any ventilation openings. Install in accordance with the manufacturer's instructions.
8. Do not install near any heat sources such as radiators, heat registers, stoves, or other apparatus (including amplifiers) that produce heat.
9. Protect the power-supply cord from being walked on or pinched, particularly at plugs, convenience receptacles and the point where they exit from the apparatus.
10. Only use attachments / accessories specified by the manufacturer.
11. Use only with the cart, stand, tripod, bracket, or table specified by the manufacturer, or sold with the apparatus. When a cart is used, use caution when moving the cart/ apparatus combination to avoid injury from tip-over.
12. Unplug this apparatus during lightning storms or when unused for long periods of time.
13. Refer all servicing to qualified service personnel. Servicing is required when the apparatus has been damaged in any way, such as power-supply cord or plug is damaged, liquid has been spilled or objects have fallen into the apparatus, the apparatus has been exposed to rain or moisture, the apparatus does not operate normally, or the apparatus has been dropped.
14. An appliance input coupler is used as the disconnect device - the disconnect device shall remain readily operable.
15. Do not defeat the safety purpose of the polarized or grounding-type plug. A polarized plug has two blades with one wider than the other. A grounding type plug has two blades and a third grounding prong. The wide blade or the third prong are provided for your safety. If the provided plug does not fit into your outlet, consult an electrician for replacement of the obsolete outlet.

SAFETY INFORMATION



WEEE SYMBOL

The bin on wheels is the European Union's symbol for the separate recycling of electrical and electronic devices. This product contains electrical and electronic equipment which can be reused, recycled or recovered, and therefore must not be discarded in your usual bin, which is not selectively sorted. Please return the unit or contact the authorized dealer who supplied you this product for more information.



CE MARK

This product conforms to the European directives related to low voltage (2014/53. EU) and electromagnetic compatibility (2014/30/EU) when the unit is installed and used according to the user manual's instructions. To guarantee extended conformity, only NATIVE UNION and La Boite concept accessories should be used with this product and the maintenance operations must be conferred to qualified, specialized personnel.



FCC NOTICE

This device complies with Part 15 of the FCC rules and Industry Canada license exempt RSS 247. Operation is subject to the following two conditions: (1) This device may not cause harmful interference; and (2) this device must accept any interference received, including interference that may cause undesired operation.

FCC AND IC STATEMENT

This equipment has been tested and found to comply with the limits for a Class B digital device, pursuant to part 15 of the FCC Rules. These limits are designed to provide reasonable protection against harmful interference in a residential installation. This equipment generates, uses and can radiate radio frequency energy and, if not installed and used in accordance with the instructions, may cause harmful interference to radio communications. However, there is no guarantee that interference will not occur in a particular installation.

If this equipment does cause harmful interference to radio or television reception, which can be determined by turning the equipment off and on, the user is encouraged to try to correct the interference by one or more of the following measures:

- Reorient or relocate the receiving antenna.
- Increase the separation on between the equipment and receiver.
- Connect the equipment into an outlet on a circuit different from that to which the receiver is connected.
- Consult the dealer or an experienced radio/TV technician for help.

This equipment complies with FCC/IC RSS102 radiation exposure limits set forth for an uncontrolled environment.

This equipment should be installed and operated with minimum distance 20cm between the radiator & your body.

FCC AND IC NOTICE

This device complies with Part 15 of the FCC rules and Industry Canada license-exempt RSS 247. Operation is subject to the following two conditions:

(1) This device may not cause harmful interference; and

(2) this device must accept any interference received, including interference that may cause undesired operation.

Cet appareil est conforme à la partie 15 des règles de la FCC, ainsi qu'à la norme RSS 247 exempte de licence d'Industrie Canada.

Son fonctionnement est soumis aux deux conditions suivantes :

(1) Cet appareil ne doit pas provoquer d'interférences nuisibles; et

(2) cet appareil doit accepter toutes les interférences reçues, y compris celles susceptibles d'entraîner un dysfonctionnement de l'appareil.

FCC CAUTION

Caution the user that changes or modifications not expressly approved by the party responsible for compliance could void the user's authority to operate the equipment.

SAFETY INFORMATION

LOCATION

Wisely select a spot for installing your equipment. Avoid placing it directly in sunlight or nearby a heat source. No fire source such as lit candles should be placed on the device. Also, avoid any locations that could cause vibrations, dust, coolness or moisture. The device can be used at average room temperatures.

Do not install the equipment in a completely closed room or in a set of compartments. Do not place the unit on an unstable surface. Due to the distributed magnetic fields, no record player or CRT television set must be placed nearby the device to avoid possible interference.

POWER SOURCE

The unit should only be used with the type of electric power source compatible. If you are not sure about the power source rating in your place, please contact your dealer or the company responsible for the electric power in your region. The unit was designed to be left in standby mode when not in use; this will increase the amplifier's service life.

To switch off the unit, turn the On/Off switch to Off position. If you do not intend to use the unit for a long time, simply unplug it from the power socket.

OVERLOAD

Avoid overloading the wall-mounted electrical installations or the extension cords because this could cause a fire or an electrical discharge. Overloaded DC installations, extension cords, damaged power cables, a damaged or cracked insulation and broken plugs are dangerous. They could cause an electrical discharge or a fire.

Make sure that each cable is correctly inserted. To avoid humming or background noise, do not tangle or cross the power cord with the audio cables.

CLEANING

To clean the unit, wipe with a dry, lint free cloth. Do not use liquid cleaning products containing alcohol, ammonia or abrasives. Do not use a spray on or nearby the unit.

REPAIRS

This unit cannot be repaired by the user. Do not try to repair, dismount or disassemble the unit if a problem occurs. A strong electrical discharge could take place if this precautionary measure is not respected. In case of a problem or failure, please contact your dealer.

AERATION: IMPORTANT

The unit may heat when used. Do not place the equipment in a completely closed room or in a compartment insufficiently ventilated. Make sure that no small object can enter PR/01. If this should happen, immediately switch off the device, disconnect it from the wall outlet and contact your dealer for help and advice.



ATTENTION

The exclamation point within an equilateral triangle is intended to alert the user of the presence of important operating and maintenance (servicing) instructions in the literature accompanying the apparatus.

CAUTION

RISK OF ELECTRIC SHOCK
DO NOT OPEN

CAUTION

TO REDUCE THE RISK OF ELECTRIC SHOCK, DO NOT REMOVE BACK PANEL. NO USER SERVICEABLE PARTS INSIDE. REFER SERVICING TO QUALIFIED SERVICE PERSONNEL.



DANGEROUS VOLTAGE

The lightning flash with arrowhead, within an equilateral triangle, is intended to alert the user of the presence of non-insulated "dangerous voltage" within the product's enclosure that may be of sufficient magnitude to constitute a risk of electric shock to person.

WARNING: To reduce the risk of fire or electric shock, do not expose this apparatus to rain or moisture. The apparatus shall not be exposed to dripping or splashing and that objects filled with liquids, such as vases, shall not be placed on apparatus.

NATIVE UNION LIMITED WARRANTY

FOR ALL COUNTRIES (EXCEPT FRANCE)*

NATIVE UNION guarantees this product against defects in materials or workmanship for a period of twenty-four (24) months from the date of original purchase on our website or from an authorized NATIVE UNION retailer or reseller.

Please make sure you register your PR/01 speaker on our website:

www.nativeunion.com/pr-01-registration

Subject to a complete registration of the proof of purchase and of the serial number of your PR/01 speaker, you will not be required to provide NATIVE UNION with this information later on, should you need to file a warranty claim. Please note this is only an additional feature for your convenience: proof of purchase and serial number will also be accepted separately.

Only original, unaltered and unmodified materials and workmanship are covered by the limited warranty. NATIVE UNION's warranty does not cover normal wear and tear, chipped wood, scratched metal, dropped products, products exposed to excessive moisture or water damage.

Parts subject to wear and tear such as the fabric grille, will be replaced only in case of malfunctioning due to material or manufacturing defects, and only once during the warranty period of your product.

The limited warranty does not cover the replacement of lost or stolen products.

If a technical failure occurs within three (3) months of purchase, the PR/01 speaker will be replaced with a new unit. If a technical failure happens more than three (3) months after purchase, the PR/01 speaker will be replaced with a refurbished unit. The serial number and proof of purchase are required in order to activate the warranty for products purchased on our website or from an authorized retailer or reseller. This policy is also applicable to products received as a gift, subject to presentation of the serial number and proof of purchase.

If the PR/01 speaker requires maintenance and is outside of the warranty period, repair services are available. To activate this service, please contact *PR01support@nativeunion.com* and someone will get back to you to assess the problem and send you a repair quotation.

This limited warranty is in lieu of all other warranties, expressed or implied, including, but not limited to, any implied warranty of merchantability for a particular purpose.

NATIVE UNION shall have no liability of any kind for any direct, indirect, incidental or consequential damages or expenses that arise from the use of the PR/01 speaker.

* Please visit <https://www.nativeunion.com/pr-01-authorized-resellers-france> for a list of authorized NATIVE UNION retailers or resellers in France.

LA BOITE CONCEPT LIMITED WARRANTY

FOR FRANCE ONLY (SUBJECT TO EXCEPTIONS)

This product was designed and manufactured in accordance with the most rigorous quality standards. However, in case of a problem, La Boite concept, and their national distributors, guarantee labour (exclusions possible) and spare parts free in all countries served by a La Boite concept approved distributor.

Please make sure you register your PR/01 speaker on our website:

www.laboiteconcept.com/register

This limited warranty is valid for a twenty-four (24) months period from the date of purchase unless exclusions are applicable in some countries according to the national legislation. Contact the La Boite concept distributor in your country for more information.

1. The warranty is limited to the repair of the equipment. Transport or other costs, and risks associated with the pickup, transport and installation of the products are not covered by this warranty.
2. The warranty is exclusively reserved for the original owner and may not be transferred.
3. This warranty is only eligible to products with faulty workmanship and/or defective parts at the moment of purchase and does not apply in the following cases:
 - a. Deteriorations resulting from an in correct installation, connection or packaging.
 - b. Deteriorations resulting from a usage other than the correct usage described in the User Manual, negligence, changes or the use of parts not manufactured or approved by NATIVE UNION and La Boite concept.
 - c. Deteriorations resulting from a defective or unsuitable auxiliary equipment.
 - d. Deteriorations resulting from: accidents, lightning, water, heat, war, breaches of public order, or other causes outside of the reasonable control of NATIVE UNION and La Boite concept or its approved distributors.

- e. Products with serial numbers modified, erased, eliminated or rendered unreadable.
 - f. Products repaired or changed by an unauthorised person.
4. This warranty is in addition to any national/regional legal obligation on behalf of the national distributors or dealers and does not affect your statutory rights as a customer.
 5. To claim this warranty please use the original packaging of your PR/01.

HOW TO FILE A CLAIM UNDER THE WARRANTY

Please follow the procedure below if you desire to file a claim under the warranty:

1. If the equipment is used in the country where it was purchased, please contact the distributor approved by NATIVE UNION or La Boite concept which sold the equipment.
2. If the equipment is used in a country other than the country where it was purchased, please contact the national La Boite concept distributor of the residence country, which indicates to you where you can have the equipment repaired. If you desire to file a claim from France, please contact La Boite concept in France at *laboiteconcept.com* to obtain an accurate telephone/email address of your local distributor. To validate your warranty, you should present the original copy of your sales invoice or another form of proof of your purchase and the date of purchase.

GENERAL DESCRIPTION

KNOB and CONTROL PANEL

SOURCE / WAKE BUTTON

→ SOURCE / WAKE button

↑
↓ Volume Controller

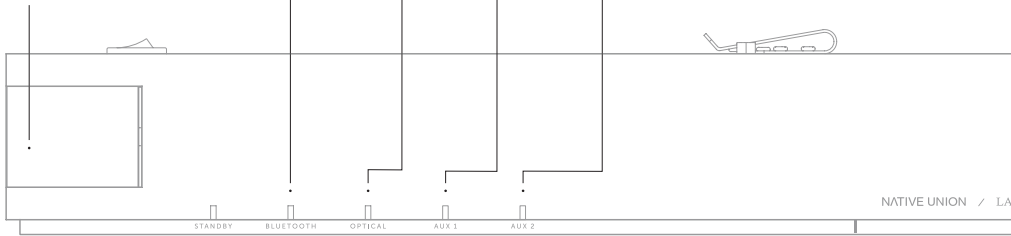
LED LIGHT SOURCE INDICATOR

Bluetooth®
AptX®

Optical

Auxiliary 1
(RCA)

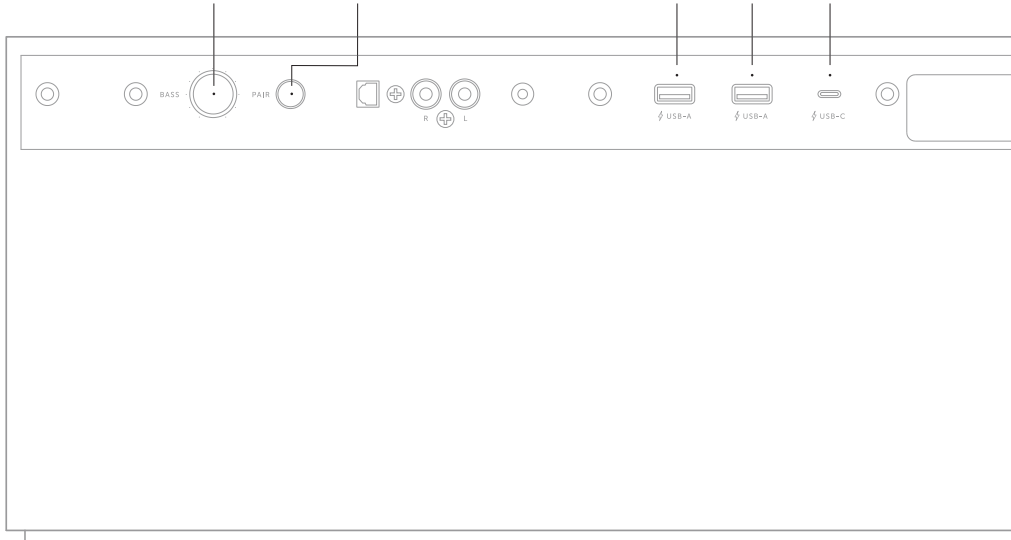
Auxiliary 2
(3.5)



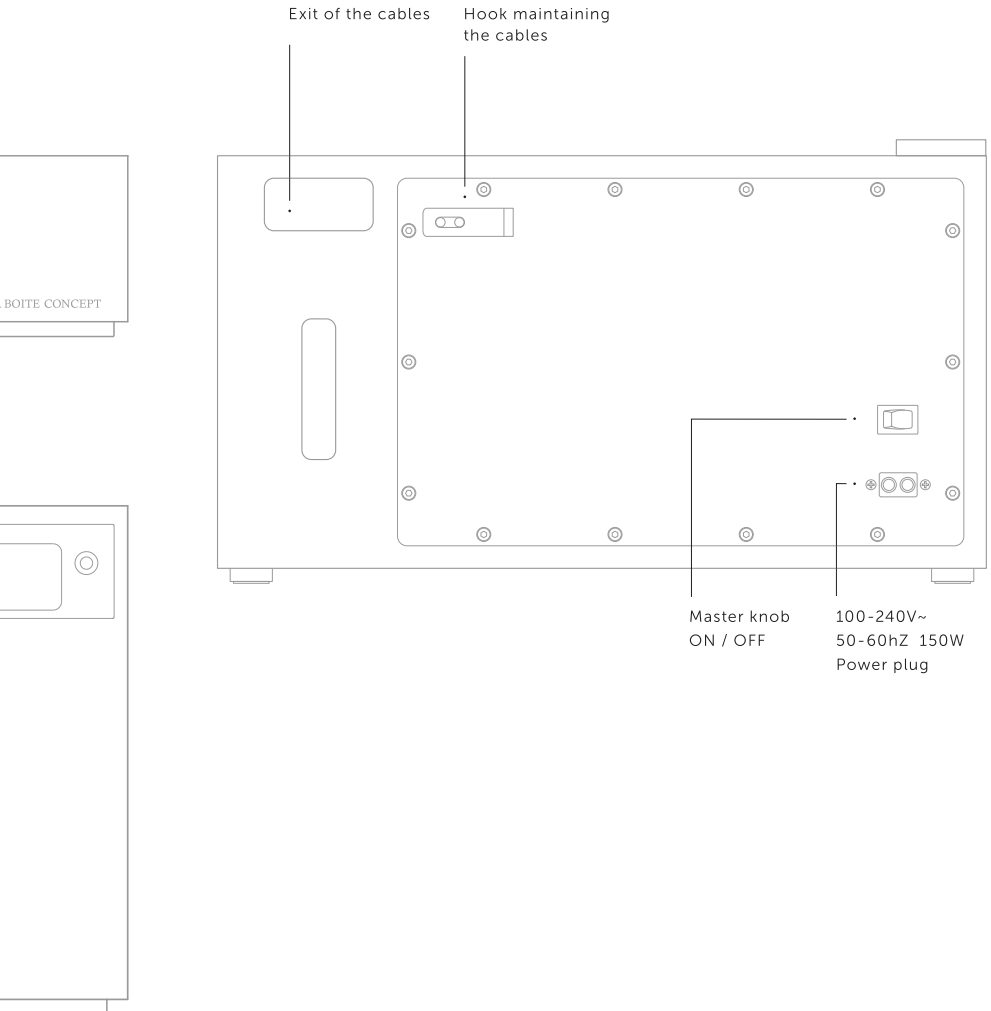
Bass volume
controller

PAIR button for
Bluetooth® 64215 AptX®

USB-A & USB-C



BACK OF YOUR PR/01



QUICK START

i. IDEAL POSITIONING OF THE PR/01 IN YOUR ROOM

FILLING YOUR ROOM WITH SOUND

You can take full advantage of the PR/01 wherever you place the unit speaker system in your room. Ideally the speaker should have a wall (10-15 cm) behind it to reflect the bass and have a better render. The sound system is designed to offer you high-quality stereophonic listening and immersive sound, whether seated or in the vicinity of the device. As a result, the listener does not have to be in a central position to enjoy optimum stereophonic sound (which also allows several listeners to simultaneously enjoy a stereophonic sound broadcast). Furthermore, it is not necessary to place the PR/01 symmetrically to the walls of the room.

ii. TURNING THE POWER ON / OFF

1. Insert the power cord into the power cable plug located at the back of the PR/01.
2. Connect the power cord to the wall socket.
3. To turn the PR/01 on, switch the ON / OFF knob at the back of your speaker. The Bluetooth® LED will start blinking.
4. The PR/01 will automatically go into standby mode if you leave your device without signal for 30 minutes. The standby LED light will turn red. To wake up the device, press the control knob or play music from one of the sources.
5. To turn PR/01 into a temporary "off" mode, press the control button until the LED turns off. Press the button again to restart it. The USB charging ports will continue to work while PR/01 is in "off" mode.
6. To turn PR/01 off completely, switch the ON/OFF knob at the back of your speaker. All LED lights and power to USB charging ports will turn off.

iii. CHOOSING OF YOUR SOURCE

1. Push the SOURCE / WAKE button to choose your source and / or to switch between connected sources.
2. A lit LED light indicates which source you have selected. Order of connections (from left to right): Bluetooth® AptX, Optical, AUX 1: RCA, AUX 2: 3.5 stereo jack.

USING THE PR/01 WITH YOUR DEVICES

When the main power switch is turned on, the output volume is set to 40%. When first connecting a new audio source, start with a low volume and gradually turn up the volume. In general audio quality will be best with the audio source playing at default (high-maximum) volume while using the PR/01 controls to limit the overall loudness.

i. BLUETOOTH® APTX CONNECTION

Your PR/01 is equipped with Wireless Bluetooth® 64215 AptX. This technology allows you to send your music wirelessly from your computer, tablet or smartphone to your NATIVE UNION and La Boite concept speaker. The Bluetooth® receiver of your PR/01 incorporates 64215 AptX. Reference codec to listen to high definition music wirelessly. To use this connection, you just have to:

1. Turn the PR/01 on.
2. The Bluetooth® is the default source and will automatically turn ON. The LED light on the PR/01 will start to flash rapidly in white.
3. Activate the Bluetooth® functionality on your device (computer, tablet or smartphone).
4. Press the pair button on PR/01.
5. On your device, select the PR/01 in the list.
6. The LED light will turn to a steady white.
7. You can now control your playlists from your source (computer, tablet or smartphone) in a radius of about 10 metres around your PR/01.

NOTES:

You only need to pair your computer, tablet or smartphone with the PR/01 once, after which the device will be included in the list of your Bluetooth® devices. When pairing a new device, press the pair button again, and repeat steps above. Your PR/01 is able to store up to six devices in its memory.

The Bluetooth® word mark and logos are registered trademarks owned by the Bluetooth® SIG, Inc. and any use of such marks by Design Pool Limited is under license. Other trademarks and trade names are those of their respective owners.

ii. CABLE CONNECTION

OPTICAL: OPTICAL AUDIO DIGITAL INPUT

Use the optical input to connect your PR/01 to your TV, hard disk player, streaming player and satellite or cable receiver. The optical input only works with PCM stereo, if a connected device sends 5.1 audio (or similar surround sound), the PR/01 will not work.

To use this connection, you just have to:

1. Connect the optical audio cable to the optical audio input on your source.
2. Turn the PR/01 on.
3. Select Optical as source by pushing the Control knob.

AUXILIARY 1: RCA ANALOG INPUT

Use the RCA input for connecting your PR/01 to audio sources such as your mobile phone, music player or tablet.

1. Connect the audio cable to your PR/01 and to the audio output of your music device (source).
2. Select AUX 1 as source by pushing the Control knob until the AUX 1 LED is lit.

AUXILIARY 2: 3.5 MM STEREO PLUG

Use the 3.5mm jack input to connect your PR/01 to audio sources such as your CD player or turntable (pre-amplified).

1. Connect the audio cable to your PR/01 and to the audio output of your music device (source).
2. Select AUX 2 as source by pushing the Control knob until the AUX 2 LED is lit.

iii. USB CHARGER

The PR/01 comes with a built-in 3-port USB charger. The ports will power your USB devices even if the speaker is in standby mode. Powering off the PR/01 with the rear main switch will also power off the USB ports.

The charger works with most USB compliant devices at 5V and can provide up to 2.4A for USB-A charging current (for fast iPad charging) and up to 3A for fast USB-C charging.

NOTE: Never use the charger with damaged cables as those could overheat and cause a fire. USB-C charging current is limited to 15W. This is enough to charge most phones and tablets. USB-C laptops should be connected to their original charger which will provide more power for full functionality. The charger is not compatible with the old iPod Classic (pre 2010) and other rare devices not fully compatible with the USB standard.

iv. WIRELESS CHARGER

The PR/01 also has a built-in recess inside the top wooden enclosure which can accommodate the NATIVE UNION wireless charger "DROP" (sold separately). The DROP can be placed conveniently inside the foam fixation for easy alignment. Wireless charging connectivity has been tested to work with iPhone X and iPhone 8/8 Plus. When using other phone models or thick phone cases the wireless charging may not work. In this case it is recommended to place the wireless charger on top of the speaker instead of under the wooden enclosure.

*iPhone is a trademark of Apple Inc, registered in the U.S. and other countries.

WHAT TO DO?

i. TO CLEAN YOUR PR/01

Before cleaning the device, unplug your PR/01 from the power socket. Clean the device only with a dry cloth. Do not use cleaning alcohol or solvent to clean the device's surface because both of them could damage the painting and cause electrical failures and a fire if they penetrate the device's electronics.

ii. NO POWER

Make sure that the AC cable is solidly connected. Make sure that the plug is fully inserted in the power socket and there is power. Make sure that the device is switched on by checking the white LED on the top panel. Make sure that the PR/01 is not in standby mode. Press the SOURCE/WAKE button to wake up the device.

iii. NO SOUND

Make sure that the volume is turned up to an audible level and that the input source is at its maximum. Make sure that an available input source is selected. Make sure that the PR/01 is not in standby or off mode. Check if the bluetooth connection with your device is still active.

iv. THE SOUND IS DISTORTED OR BUZZES

Check the connections of your music readers. Make sure that all the connecting cables are correctly plugged in, especially the earth/protection shield connections. Make sure that your cables are in good condition.

v. BACKGROUND NOISE AND UNDESIRABLE INTERFERENCES

Separate the device from other electrical appliances which may be causing the interference. If the above solutions do not remedy your problem, please contact a professional. Your home electrical installation may be connected to earth ground or it may be polluted by electrical parasites devices that implies audible noise. For any repairs during or after the warranty, please contact your dealer.

vi. BLUETOOTH® ISSUES

When connecting a new device make sure the PR/01 input source is switched to Bluetooth®. If the PR/01 does not show up on your device make sure to manually refresh the Bluetooth® device list on your phone/device after briefly pressing the PR/01 Bluetooth button. There will be a short audio signal once your device makes connection. If you can't hear any sound make sure the PR/01 is not in standby and turn up the volume.

Your device may lose connection to the PR/01 when leaving the Bluetooth range or if in standby mode. In this case Bluetooth connection can easily be made again from your phone's Bluetooth settings page (without the need to press the Bluetooth button on the PR/01).

Note that depending on your installation and your mobile device the Bluetooth range will be limited to 5 -10 meters or less if walls or furniture obstruct the signal.

TECHNICAL SUMMARY

SOURCES

Bluetooth® AptX 64215

Optical: Optical audio digital input

AUX 1: RCA analog input

AUX 2: 3.5mm stereo plug

USB CHARGER

2x USB-A (Always on, charging up to 2.4A)

1x USB-C (Always on, charging up to 3A)

SmartIC, total output 5V*5.4A = 27W

DIMENSIONS & WEIGHT

H : 237mm, L : 410mm, D: 256mm

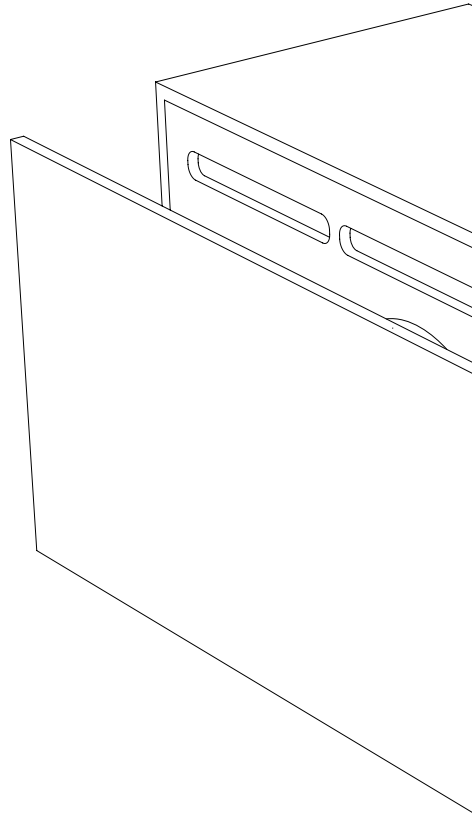
Weight: 11kg

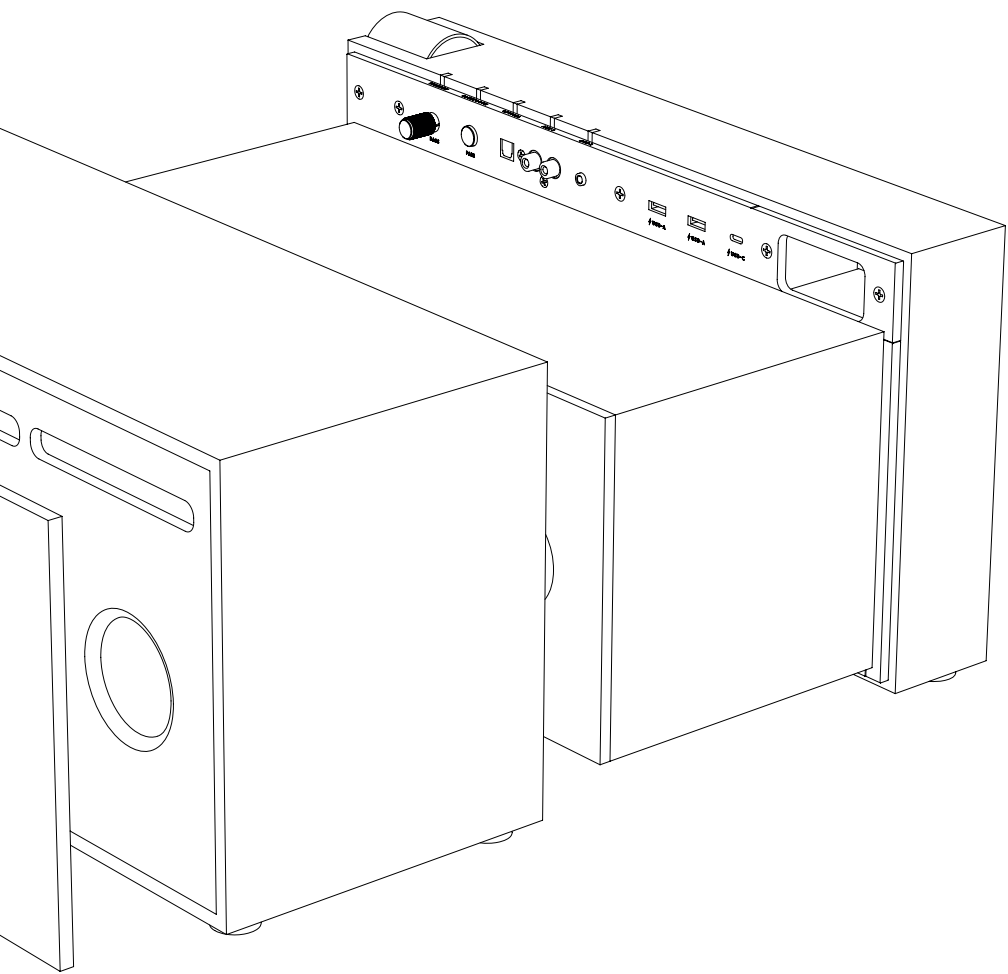
DRIVER UNITS

1 x 5" Midrange speaker by LBC

1 x 5" Long excursion woofer by LBC

2 x Dome silk tweeter by LBC





PR / 01

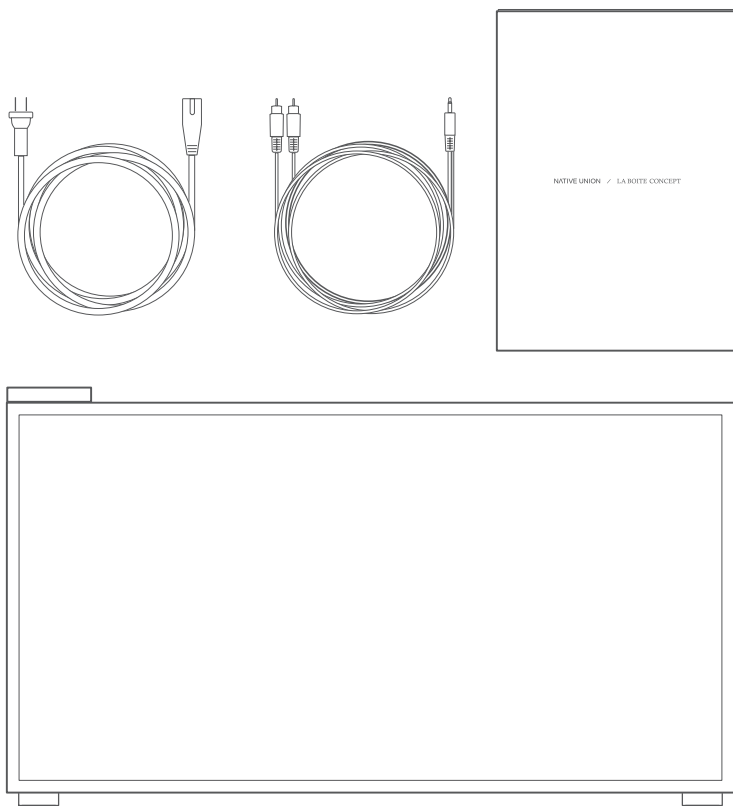
MODE D'EMPLOI

TABLE DES MATIÈRES

25	TABLE DES MATIÈRES
26	VOTRE ENCEINTE PR/01 CONTENU DE LA BOÎTE
27	CONSIGNES DE SÉCURITÉ
32	GARANTIE LIMITÉE DE NATIVE UNION
34	GARANTIE LIMITÉE DE LA BOITE CONCEPT
36	DESCRIPTION GÉNÉRALE
38	DÉMARRAGE RAPIDE <ul style="list-style-type: none">i. PLACER LE PR/01 DANS VOTRE PIÈCEii. ALLUMER / ÉTEINDREiii. CHOIX DE VOTRE SOURCE
39	UTILISATION DU PR/01 AVEC VOS APPAREILS <ul style="list-style-type: none">i. CONNEXION BLUETOOTH® APTXii. BRANCHEMENT DES CÂBLESiii. CHARGEMENT USBiv. CHARGEMENT SANS-FIL
42	QUE FAIRE ? <ul style="list-style-type: none">i. NETTOYER VOTRE ENCEINTE PR/01ii. PAS D'ALIMENTATIONiii. PAS DE SONiv. DEFORMATION DU SON OU BOURDONNEMENTSv. BRUIT DE FOND ET INTERFÉRENCES INDÉSIRABLESvi. MAUVAISE CONNEXION BLUETOOTH®
44	RÉSUMÉ TECHNIQUE

VOTRE ENCEINTE PR/01

CONTENU DE LA BOÎTE



- 3 cordons d'alimentation
(Connecteur C7 avec prises pour les États-Unis, l'Europe et le Royaume-Uni.)
- Câble à deux extrémités avec dispositif audio (prise RCA et stéréo 3,5mm)
- Mode d'emploi et garantie
- Le haut-parleur dans son compartiment en bois et le panneau avant amovible

CONSIGNES DE SÉCURITÉ

1. Lisez le mode d'emploi.
2. Conservez le mode d'emploi.
3. Respectez tous les avertissements.
4. Suivez le mode d'emploi.
5. N'utilisez pas cet appareil au bord de l'eau.
6. Nettoyez l'enceinte avec un chiffon sec uniquement.
7. N'obstruez pas les ouvertures d'aération. Installez l'appareil conformément aux instructions du fabricant.
8. N'installez pas l'enceinte près d'une source de chaleur telle qu'un radiateur, un chauffage électrique, un poêle ou tout autre appareil (incluant des amplificateurs) produisant de la chaleur.
9. Protégez le cordon d'alimentation pour empêcher que l'on marche dessus ou qu'il ne soit coincé, surtout au niveau des fiches, des prises secteurs et du point de sortie des câbles de l'appareil.
10. Utilisez uniquement des fixations et des accessoires recommandés par le fabricant.
11. N'utilisez que le chariot, le socle, le trépied, le support et la table recommandés par le fabricant ou vendus avec l'appareil. Si vous utilisez un chariot, faites attention lorsque vous déplacez le chariot et l'appareil afin d'éviter les blessures en cas de chute de l'objet.
12. Débranchez l'appareil en cas de temps orageux ou si vous ne l'utilisez pas pendant une longue période.

CONSIGNES DE SÉCURITÉ

13. Confiez toute réparation à un personnel qualifié. Des réparations sont nécessaires si l'appareil est endommagé d'une quelconque façon, par exemple si le cordon d'alimentation ou une prise sont endommagés, si du liquide a été déversé sur l'appareil ou si un objet est tombé dessus, si l'appareil a été exposé à la pluie ou à l'humidité, si l'appareil ne fonctionne pas normalement ou si l'appareil a subi une chute.
14. Un dispositif de coupleur d'entrées est utilisé comme dispositif de déconnexion- ce dispositif de déconnexion doit toujours rester accessible.
15. Ne contournez pas le dispositif de sécurité de la fiche polarisée ou de fiche de terre. Une fiche polarisée possède deux lames avec une plus grande que l'autre. Une prise de terre possède deux lames et une troisième broche de terre. La lame la plus large ou la troisième broche est fournie pour votre sécurité. Si la fiche fournie ne s'adapte pas à votre prise murale, consultez un électricien pour assurer le remplacement de la prise obsolète.



SYMBOLE WEEE

La poubelle à roulettes est le symbole de l'Union européenne concernant le recyclage séparé des appareils électriques et électroniques. Ce produit contient des composants électriques et électroniques qui peuvent être réutilisés, recyclés ou récupérés. Il ne doit donc pas être jeté dans votre poubelle habituelle, qui n'est pas triée sélectivement. Veuillez rapporter l'unité ou contacter le revendeur agréé qui vous a vendu cet appareil pour avoir de plus amples informations.



MARQUAGE CE

Ce produit est conforme aux directives européennes concernant la basse tension (2014/53/EU) et la compatibilité électromagnétique (2014/30/EU) lorsque l'unité est installée et utilisée conformément aux instructions du mode d'emploi. Afin de garantir une conformité étendue, seuls des accessoires NATIVE UNION et La Boite concept doivent être utilisés avec ce produit. Les opérations de maintenance doivent être confiées à un personnel qualifié et spécialisé.

AVIS D'INDUSTRIE CANADA:

Cet appareil est conforme aux normes d'Industrie Canada applicables aux appareils radio exempts de licence CNRS. L'exploitation est autorisée selon les deux conditions suivantes:

- (1) Cet appareil ne doit pas causer d'interférence nuisible.
- (2) Cet appareil doit accepter toute autre interférence reçue y compris les interférences pouvant provoquer un fonctionnement non désiré.



ATTENTION

Le point d'exclamation dans un triangle équilatéral est destiné à alerter l'utilisateur de la présence d'exploitation et de maintenance importante (entretien) dans la documentation accompagnant l'appareil.

CONSIGNES DE SÉCURITÉ

ATTENTION

RISQUE D'ÉLECTROCUTION.
N'OUVREZ PAS.

ATTENTION: POUR RÉDUIRE LES RISQUES D'ÉLECTROCUTION, NE RETIREZ PAS LE PANNEAU ARRIÈRE. AUCUNE PIÈCE INTERNE N'EST RÉPARABLE PAR L'UTILISATEUR. FAITES APPEL À UN TECHNICIEN QUALIFIÉ



TENSION DANGEREUSE

L'éclair fléché dans un triangle équilatéral est destiné à alerter l'utilisateur de la présence de "tension dangereuse" non isolée à l'intérieur de l'enceinte du produit qui peut être de magnitude suffisante pour constituer un risque d'électrocution.

EMPLACEMENT

Choisissez judicieusement un endroit pour installer votre équipement. Évitez de le placer directement à la lumière du soleil et près d'une source de chaleur. Aucune flamme telle celle d'une bougie allumée ne doit être placée sur l'appareil. De plus, évitez tout emplacement qui pourrait provoquer des vibrations, de la poussière, de la fraîcheur ou de l'humidité. Cet

appareil peut être utilisé à température ambiante. N'installez pas l'équipement dans une pièce complètement fermée ou dans un espace clos. Ne placez pas l'unité sur une surface instable. En raison des champs magnétiques distribués, aucun tourne-disque ou télévision à tube cathodique ne doit être placé près de l'appareil pour éviter de possibles interférences.

SOURCE D'ALIMENTATION

L'unité ne doit être utilisée qu'avec un type compatible de source d'alimentation électrique. Si vous n'êtes pas sûr de la puissance nominale de votre source d'alimentation, veuillez contacter votre revendeur ou l'entreprise responsable de la distribution de l'électricité dans votre région. L'unité est conçue pour être mise en veille lorsqu'elle n'est pas utilisée; cela augmentera la durée de vie de l'amplificateur.

Pour éteindre l'unité, placez l'interrupteur Marche/Arrêt en position Arrêt. Si vous n'avez pas l'intention d'utiliser l'unité pendant une longue période, débranchez-la simplement de la prise secteur.

SURCHARGE

Évitez de surcharger les installations électriques murales ou les rallonges, cela pourrait provoquer un incendie ou une décharge électrique. Des installations CC surchargées, des rallonges, des câbles d'alimentation endommagés, un isolant endommagé ou fissuré et des prises cassées sont dangereux. Ils peuvent provoquer une décharge électrique ou un incendie.

Veillez à ce que chaque câble soit correctement inséré. Afin d'éviter les bourdonnements ou les bruits de fond, veillez à ne pas emmêler ou entrecroiser les câbles d'alimentation et les câbles audio.

NETTOYAGE

Pour nettoyer l'unité, essuyez-la avec un chiffon sec non pelucheux. N'utilisez pas de détergents liquides contenant de l'alcool, de l'ammoniaque ou des substances abrasives. Ne pulvérisez pas de produit sur l'unité ou près de celle-ci.

RÉPARATIONS

Cette unité ne peut pas être réparée par l'utilisateur. En cas de problèmes n'essayez pas de réparer ou de démonter l'unité. Vous pourriez vous électrocuter si vous ne respectez pas cette mesure de précaution.

En cas de problème ou de panne, veuillez contacter votre revendeur.

AÉRATION: IMPORTANT

L'unité peut chauffer lorsqu'elle est utilisée. Ne placez pas l'équipement dans une pièce entièrement fermée ou dans un espace peu ventilé. Veillez à ce qu'aucun petit objet ne puisse entrer dans le PR/01. Si cela devait se produire, éteignez immédiatement l'appareil, débranchez-le de la prise murale et contactez votre revendeur pour obtenir de l'aide et des conseils.

GARANTIE LIMITÉE DE NATIVE UNION

POUR TOUS LES PAYS (À L'EXCEPTION DE LA FRANCE)*

NATIVE UNION garantit que ce produit est exempt de tout défauts de matériaux ou de fabrication pour une période de vingt-quatre (24) mois à partir de la date d'achat sur notre site internet ou chez un distributeur ou un revendeur agréé NATIVE UNION.

Assurez-vous vous d'enregistrer votre enceinte PR/01 sur notre site internet:
www.nativeunion.com/pr-01-registration

Soumise à un enregistrement complet de la preuve d'achat et du numéro de série de votre enceinte PR/01, il ne vous sera pas demandé de fournir ces informations à NATIVE UNION ultérieurement si vous devez faire une réclamation en vertu de la garantie. Veuillez noter qu'il s'agit d'un avantage complémentaire pour votre confort : une preuve d'achat et un numéro de série seront aussi acceptés séparément.

Seuls la fabrication et les matériaux originaux, inaltérés et inchangés sont couverts par la garantie limitée. La garantie de NATIVE UNION ne couvre pas l'usure normale, l'ébrèchement du bois, les rayures du métal, la chute du produit et si le produit est exposé à une humidité intense ou à un dégât des eaux.

Certaines parties soumises à l'usure normale, telles que la grille en tissu, seront remplacées dans le cas d'un dysfonctionnement du matériel ou à un défaut de fabrication, et seulement pendant la période de garantie de votre produit.

La garantie limitée ne couvre pas le remplacement des produits s'ils ont été perdus ou volés.

Si un défaut technique survient dans les trois (3) mois suivants la date d'achat, l'enceinte PR/01 sera remplacée par une nouvelle unité. Si un défaut technique survient plus de trois (3) mois après la date d'achat, l'enceinte PR/01 sera remplacée par une unité réparée. Le numéro de série et la preuve d'achat seront requis pour activer la garantie des produits achetés sur notre site internet ou chez un distributeur ou un revendeur agréé. Cette politique est aussi applicable aux produits reçus comme cadeau, sujets à la présentation du numéro de série et de la preuve d'achat.

Si l'enceinte PR/01 a besoin de réparations et que la période de garantie est dépassée, des services de maintenance sont disponibles. Pour activer ce service, veuillez nous contacter à l'adresse suivante : *PR01support@nativeunion.com* et quelqu'un reviendra vers vous pour évaluer le problème et vous envoyer un devis de réparation.

Cette garantie limitée remplace toutes les autres garanties, expresses ou implicites, incluant, sans s'y limiter, les garanties implicites de qualité marchande destinées à une utilisation particulière.

NATIVE UNION ne sera pas tenue pour responsable des dommages et des dépenses directs, indirects, fortuits et conséquents résultants de l'usage de l'enceinte PR/01.

*Veuillez visiter <https://www.nativeunion.com/pr-01-authorized-resellers-france> pour obtenir la liste complète des distributeurs et revendeurs agréés NATIVE UNION en France.

GARANTIE LIMITÉE DE LA BOITE CONCEPT POUR LA FRANCE (SAUF EXCEPTION)

Ce produit a été conçu et fabriqué conformément aux normes de qualité les plus rigoureuses. Toutefois, en cas de problème, NATIVE UNION et La Boite concept, ainsi que leurs distributeurs nationaux, garantissent la gratuité de la main-d'œuvre (exclusions possibles) et des pièces de rechange dans tous les pays desservis par un distributeur agréé La Boite concept.

Assurez-vous d'enregistrer votre enceinte PR/01 sur notre site :

www.laboiteconcept.com/register

Cette garantie limitée est valide pendant 2 ans / vingt quatre (24) mois à partir de la date d'achat, à moins que des exclusions ne soient applicables dans certains pays selon la législation nationale. Contactez le distributeur de NATIVE UNION et La Boite concept de votre pays pour avoir plus d'informations.

1. La garantie est limitée à la réparation de l'équipement. Le transport et les autres coûts ainsi que les risques associés à l'enlèvement, le transport et l'installation des produits ne sont pas couverts par cette garantie.
2. La garantie est réservée exclusivement au propriétaire d'origine et ne peut pas être transférée.
3. Cette garantie est uniquement éligible pour les produits ayant un défaut de fabrication et/ou des pièces défectueuses au moment de l'achat et ne s'applique pas dans les cas suivants :
 - a. Détériorations résultant d'une installation, d'un branchement ou d'un emballage incorrect;
 - b. Détériorations résultant d'un usage autre que celui décrit dans le mode d'emploi, une négligence, des changements ou l'utilisation de pièces non fabriquées ou approuvées par NATIVE UNION et La Boite concept;
 - c. Détériorations résultant d'un équipement auxiliaire défectueux ou inadapté;

- d. Détériorations dues à : des accidents, la foudre, la chaleur, la guerre, la violation de l'ordre public et toutes autres causes hors d'un contrôle de raisonnable de NATIVE UNION et de la Boite concept et de leurs distributeurs agréés.
 - e. Les numéros de séries des produits ont été modifiés, effacés, éliminés ou rendus illisibles;
 - f. Produits réparés ou modifiés par une personne non autorisée.
4. Cette garantie s'ajoute à toute obligation légale nationale ou régionale au nom des distributeurs ou des revendeurs nationaux et n'affecte pas vos droits statutaires en tant que client.
5. Pour bénéficier de cette garantie, veuillez utiliser l'emballage d'origine de votre PR /01.

DÉPOSER UNE RÉCLAMATION EN VERTU DE LA GARANTIE

Veuillez suivre la procédure ci-dessous si vous souhaitez déposer une réclamation en vertu de cette garantie:

1. Si l'équipement est utilisé dans le pays où il a été acheté, veuillez contacter le distributeur agréé par NATIVE UNION et La Boite concept qui a vendu l'équipement.
2. Si l'équipement est utilisé dans un pays autre que celui où il a été acheté, veuillez contacter le distributeur national La Boite concept du pays de résidence qui vous indiquera où vous pouvez faire réparer l'équipement. Vous pouvez contacter La Boite concept en France ou aller sur notre site internet afin d'obtenir le numéro de téléphone ou l'adresse e-mail de votre distributeur local. Pour valider votre garantie, vous devez présenter l'original de votre facture d'achat ou une autre forme de preuve de votre achat et de la date d'achat.

DESCRIPTION GÉNÉRALE

BOUTONS et PANNEAU DE COMMANDE

BOUTON SOURCE / REVEIL

→ Bouton SOURCE / REVEIL

↕ Molette de volume

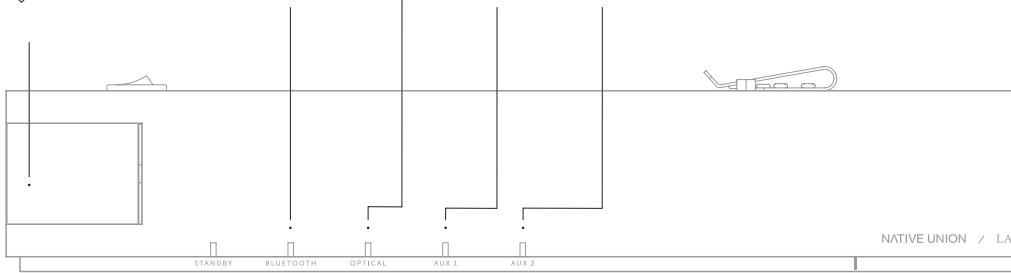
VOYANTS LED (INDICATEURS DE SOURCE)

Bluetooth®
AptX®

Optique

Auxiliaire 1
(RCA)

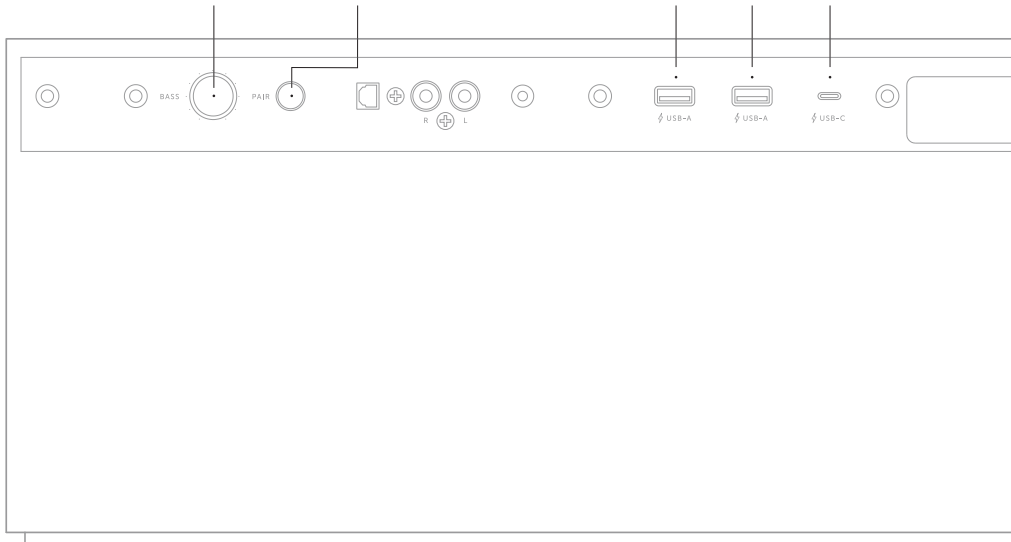
Auxiliaire 2
(3.5)



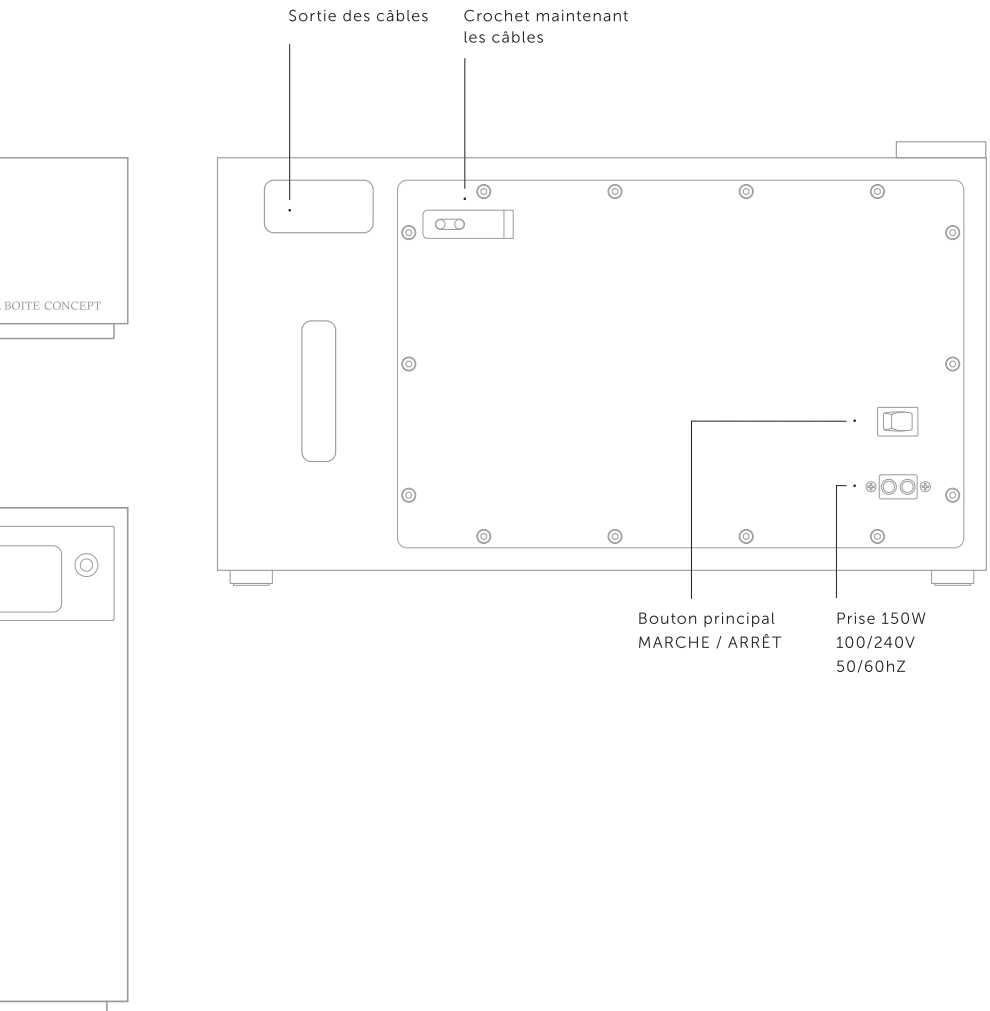
Bouton de réglage
des basses

Bouton d'appairage
Bluetooth® 64215 AptX

USB-A et USB-C



ARRIÈRE DE VOTRE PR/01



D É M A R R A G E R A P I D E

i. PLACER LE PR/01 DANS VOTRE PIÈCE

DIFFUSER DU SON DANS TOUTE VOTRE PIÈCE

Vous pouvez profiter pleinement du PR/01 quelque soit l'endroit où vous placez l'enceinte dans votre pièce. Idéalement, l'enceinte doit être placée avec un mur derrière (10-15cm) pour renvoyer les basses et offrir un meilleur son. La conception de ce haut-parleur vous offrira une écoute stéréophonique de grande qualité et un son immersif, que vous soyez assis ou à proximité de l'appareil. De ce fait, l'auditeur n'a pas besoin d'être face à l'enceinte pour obtenir un son stéréophonique optimal (ce qui permet également d'avoir plusieurs auditeurs profitant d'une diffusion sonore stéréophonique en simultané). De plus, il n'est pas nécessaire de placer le PR/01 de façon symétrique aux murs de la pièce.

ii. ALLUMER / ÉTEINDRE

1. Insérez le cordon d'alimentation dans la fiche pour câble d'alimentation située à l'arrière du PR/01.
2. Branchez le cordon d'alimentation à la prise murale.
3. Pour allumer le système d'enceintes PR/01, commutez l'interrupteur MARCHE / ARRÊT situé à l'arrière du haut-parleur. Le voyant LED Bluetooth® commence à clignoter.
4. PR/01 se mettra automatiquement en mode veille si vous laissez votre appareil sans signal pendant 30 minutes. Le voyant LED de veille passera au rouge. Pour réveiller l'appareil, appuyez sur le bouton SOURCE/RÉVEIL ou jouez de la musique depuis l'une de vos sources.
5. Pour basculer temporairement le PR/01 en mode 'off', appuyez sur le bouton SOURCE/RÉVEIL pendant quelques secondes. Appuyez de nouveau sur ce bouton pour le redémarrer. Les ports USB continueront de fonctionner tandis que le PR/01 sera en mode 'off'.
6. Pour éteindre complètement le PR/01, commutez l'interrupteur principal à l'arrière de votre haut-parleur. Tous les voyants LED s'éteignent et l'alimentation des ports USB est coupée.

iii. CHOIX DE VOTRE SOURCE

1. Appuyez sur le bouton SOURCE / REVEIL pour choisir votre source et/ou pour commuter entre des sources branchées.
2. Le voyant LED allumé indique quelle source vous avez sélectionnée. Ordre des branchements (de gauche à droite) : Bluetooth® AptX, Optique, Auxiliaire 1 : RCA, Auxiliaire 2 : 3,5.

UTILISATION DU PR/01 AVEC VOS APPAREILS

Lorsque que vous allumez votre PR/01 le volume de sortie est réglé à 40%. Quand vous connectez pour la première fois un appareil audio, commencez par un volume bas et augmentez le graduellement. En général la qualité du son sera meilleure si la source audio joue au volume fixé par défaut (au maximum) et que vous utilisez les commandes du PR/01 pour contrôler le volume sonore.

i. CONNEXION BLUETOOTH® APTX

Votre PR/01 est équipé de la dernière génération de Bluetooth® 64215 AptX; cette technologie vous permet d'envoyer votre musique de votre ordinateur, tablette ou smartphone, sans câble, vers votre enceinte. Le récepteur Bluetooth® de votre PR/01 incorpore le logiciel 64215 AptX, référence codec, de sorte que vous pouvez écouter de la musique haute définition sans fil. Pour utiliser cette connexion, vous devez simplement:

1. Allumez votre PR/01.
2. Le Bluetooth® est la source par défaut et s'allume automatiquement. Le voyant LED sur le PR/01 commence à clignoter rapidement en blanc.
3. Activez la fonctionnalité Bluetooth® sur votre appareil (ordinateur, tablette ou smartphone).
4. Pressez le bouton d'appairage Bluetooth®.
5. Sur votre appareil, sélectionner PR/01 dans la liste.
6. Le voyant LED reste blanc.

7. Vous pouvez maintenant contrôler vos listes de lecture à partir de votre source (ordinateur, tablette ou smartphone) dans un rayon d'environ 10 mètres autour de votre PR/01.

REMARQUE:

Vous devez juste appairer une seule fois votre ordinateur, tablette ou smartphone avec PR/01, l'appareil est ensuite inclus dans la liste de vos appareils Bluetooth®. Lorsque vous appairez un nouvel appareil, appuyez à nouveau sur le bouton et répétez les étapes ci-dessus. Votre PR/01 est capable de stocker jusqu'à 6 appareils dans sa mémoire. La marque verbale Bluetooth® et ses logos sont les marques déposées de Bluetooth® SIG, Inc. et toutes les utilisations de ces marques par Design Pool Limited sont sous licence. Les autres marques et noms commerciaux sont ceux de leurs propriétaires respectifs.

ii. BRANCHEMENT DES CÂBLES

ENTRÉE NUMÉRIQUE OPTIQUE AUDIO

Utilisez l'entrée optique pour brancher votre PR/01 à votre TV, lecteur de disque dur, lecteur de streaming, satellite ou récepteur de câble. L'entrée optique fonctionne uniquement avec la stéréo PCM. Si un appareil connecté envoie un son 5.1 (ou un son surround similaire), le PR/01 ne fonctionnera pas.

Pour utiliser cette connexion, vous devez simplement :

1. Branchez le câble audio optique à l'entrée audio optique de votre source
2. Allumez votre PR/01
3. Sélectionnez Optique comme source en appuyant sur le bouton de contrôle

AUXILIAIRE 1 : ENTRÉE ANALOGIQUE RCA

Utilisez l'entrée RCA pour connecter votre PR/01 à des sources audio telles que votre téléphone portable, lecteur audio ou tablette.

1. Branchez le câble audio à votre PR/01 et à la sortie audio de votre appareil de musique (source).
2. Sélectionnez AUX 2 comme source en appuyant sur le bouton de contrôle jusqu'à ce que le voyant LED AUX 1 s'allume.

AUXILIAIRE 2 : PRISE STÉRÉO 3,5 MM

Utilisez l'entrée jack 3,5 mm pour connecter votre PR/01 à des sources audio telles que votre lecteur CD ou votre platine vinyle (préamplifiée).

1. Branchez le câble audio à votre PR/01 et à la sortie audio de votre appareil de musique (source).
2. Sélectionnez AUX 2 comme source en appuyant sur le bouton de contrôle jusqu'à ce que le voyant LED AUX 2 s'allume.

iii. CHARGEMENT USB

Le PR/01 est muni de 3 chargeurs ports USB intégrés. Les ports alimenteront tous vos périphériques USB même si le haut-parleur est en mode veille. Éteindre le PR/01 avec l'interrupteur principal coupera aussi l'alimentation des ports USB.

Le chargeur USB est compatible avec la plupart des périphériques USB à 5V d'alimentation et peut fournir jusqu'à 2.4A pour un chargeur USB-A de courant de charge (pour le chargement d'Ipad rapide) et jusqu'à 3A pour le chargement rapide USB-C.

Note : Ne jamais utiliser le chargeur avec des câbles endommagés car ceux-ci pourraient surchauffer et provoquer un incendie. Le courant de charge des périphériques USB-C est limité à 15W. Cela est suffisant pour charger la plupart des smartphones et des tablettes. Les chargeurs d'ordinateur USB-C doivent être connectés à leur chargeur d'origine qui assurera plus de puissance pour une fonctionnalité complète. Le chargeur n'est pas compatible avec l'ancien iPod Classic (pré 2010) et d'autres types d'appareils qui ne sont pas complètement compatibles avec les câbles USB standards.

iv. CHARGEMENT SANS FIL

Le PR/01 possède, dans son compartiment en bois, un espace destiné à recevoir le DROP, le chargeur sans-fil de NATIVE UNION (vendu séparément). Le DROP peut être installé aisément dans une forme prévue à cet effet pour un positionnement très facile. Le chargement sans-fil a été conçu pour fonctionner avec l'iPhone X et l'iPhone 8/8+. Si vous utilisez une autre marque de smartphones ou des coques de téléphone épaisses il est possible que le chargement sans fil ne fonctionne pas. Dans ce cas nous vous recommandons de placer le chargeur sans-fil sur le haut de l'enceinte au lieu de le placer dans le compartiment en bois.

COMMENT FAIRE ?

i. NETTOYER VOTRE PR/01

Avant de nettoyer l'appareil, débranchez votre PR/01 de la prise secteur. Nettoyez l'appareil uniquement avec un chiffon sec. N'utilisez pas d'alcool ou de solvant pour nettoyer la surface de l'appareil, car les deux peuvent endommager la finition et provoquer des pannes électriques ou un incendie s'ils pénètrent dans les circuits électroniques de l'appareil.

ii. PAS D'ALIMENTATION

Veillez à ce que le câble d'alimentation soit correctement branché. Veillez à ce que la fiche soit entièrement insérée dans la prise secteur et qu'il y ait du courant. Vérifiez que l'appareil soit allumé en vérifiant la LED blanche sur le panneau du haut. Vérifiez que le PR/01 ne soit pas en mode veille. Appuyez sur le bouton SOURCE/REVEIL pour allumer l'appareil.

iii. PAS DE SON

Veillez à ce que le volume soit réglé sur un niveau audible et que la source d'entrée soit à son maximum. Veillez à ce qu'une source d'entrée disponible soit sélectionnée. Veillez à ce que la source adaptée soit sélectionnée. Veillez à ce que PR/01 ne soit pas en mode veille.

iv. DÉFORMATION DU SON OU BOURDONNEMENTS

Vérifiez les branchements de vos dispositifs audio. Veillez à ce que tous les câbles soient bien branchés, en particulier les branchements terre / branchements de sécurité. Veillez à ce que vos câbles soient en bon état.

v. BRUIT DE FOND ET INTERFÉRENCES INDÉSIRABLES

Séparez l'appareil des autres appareils électriques pouvant provoquer des interférences. Si les solutions listées ci-dessus ne résolvent pas le problème, veuillez contacter un professionnel.

L'installation électrique de votre logement peut être connectée à la terre ou elle peut être polluée par des appareils électriques parasites qui provoquent un bruit audible. Pour toutes les réparations pendant ou après la garantie, veuillez contacter votre revendeur.

vi. PROBLÈMES DE CONNEXION BLUETOOTH®

Lorsque vous connectez un nouvel appareil, assurez vous que la source d'entrée choisie soit bien celle de Bluetooth®. Appuyez brièvement sur le bouton Bluetooth®. Si PR/01 ne s'affiche pas sur votre appareil assurez vous de rafraichir manuellement la liste des appareils Bluetooth® sur votre smartphone/ appareil après avoir brièvement appuyé sur le bouton Bluetooth® du PR/01.

Vous entendez un court signal sonore une fois que votre appareil se connecte. Si vous n'entendez aucun son, veillez à ce que le PR/01 ne soit pas en mode veille et augmentez le volume. Il est possible que votre appareil perde la connexion si vous quittez la page Bluetooth® ou si vous le mettez en veille. Dans ce cas, la connexion Bluetooth® pourra se refaire facilement depuis la page de configuration Bluetooth® de votre téléphone portable (sans avoir besoin d'appuyer sur bouton Bluetooth® du PR/01). Notez que selon votre installation et le modèle de votre téléphone portable, la portée de Bluetooth® sera limitée à 5-10 mètres voir moins si les murs ou les meubles entravent le signal.

RÉSUMÉ TECHNIQUE

SOURCES

Bluetooth® AptX 64215

Optique: Entrée numérique optique audio

AUX 1: Prise stéréo 3.5mm

AUX 2: Entrée analogique RCA

CHARGEURS USB

2x USB-A (connexion permanente, charge jusqu' à 2,4 A)

1x USB-C (connexion permanente, charge jusqu'à 3A)

SmartIC, total output 5V*5.4A = 27W

DIMENSIONS & POIDS

H : 237mm, L : 410mm, D: 256mm

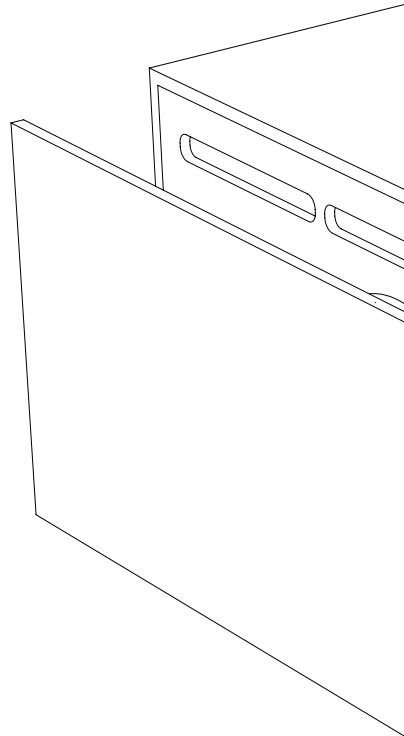
Poids: 11kg

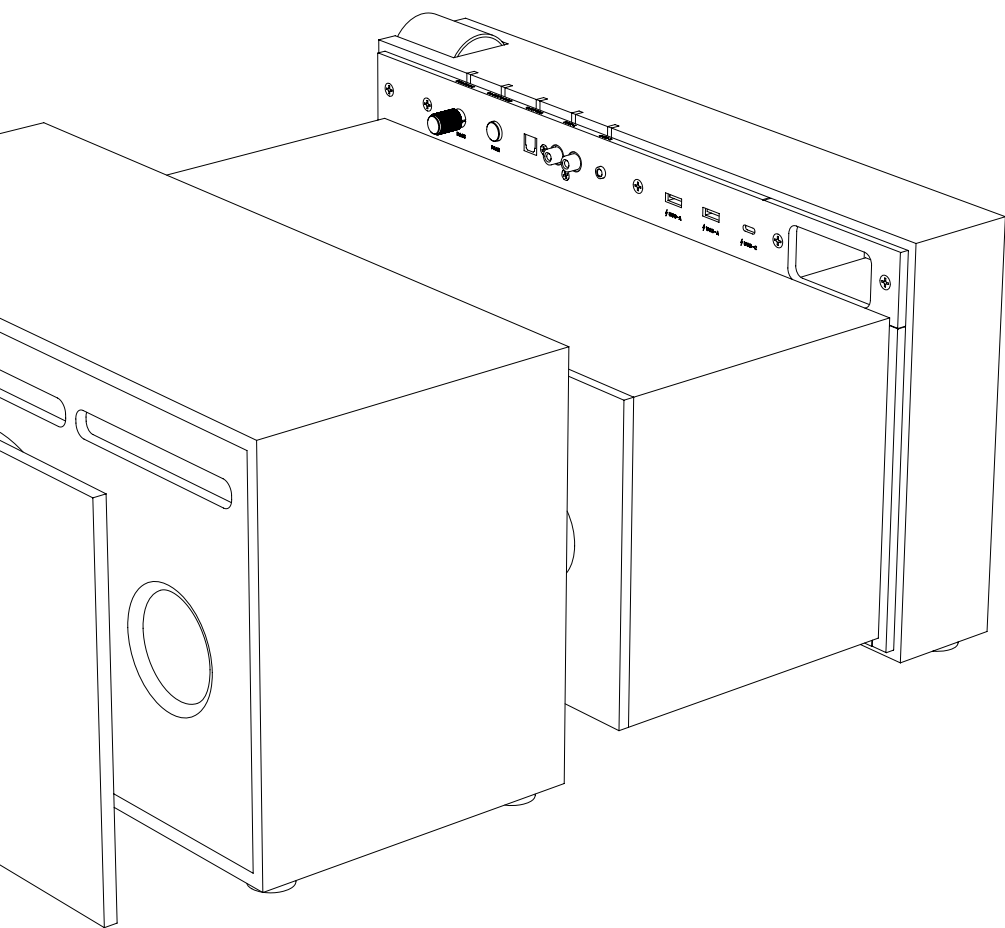
ENCEINTES

1 x 5" Midrange speaker by LBC

1 x 5" Long excursion woofer by LBC

2 x Dome silk tweeter by LBC





PR / 01

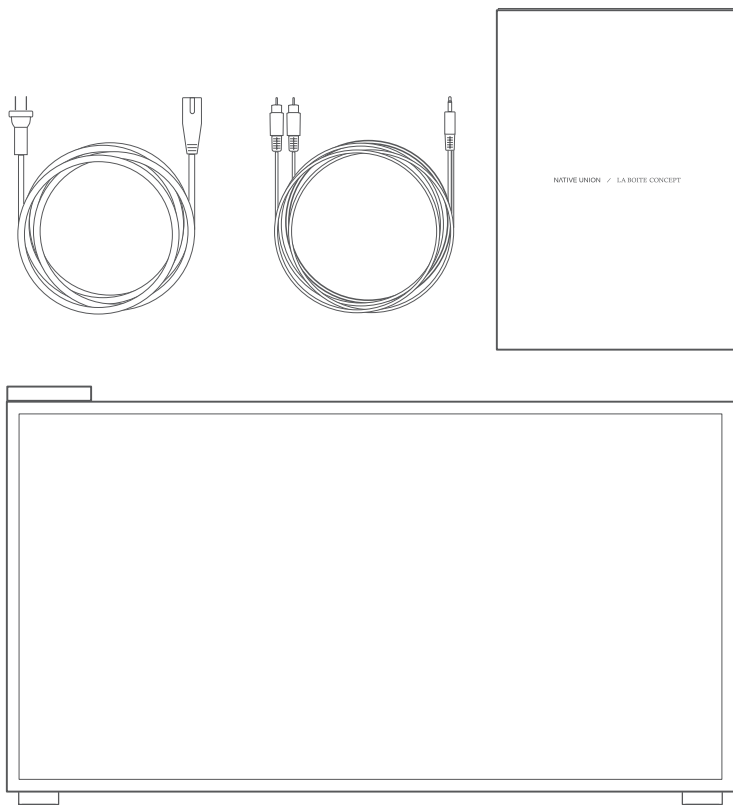
用户指南

目录

- 49 目录
- 50 **PR/01 扬声器**
 - 包装清单
- 51 **安全指引**
- 54 **NATIVE UNION 之有限保修**
- 55 **LA BOITE CONCEPT 之有限保修**
- 56 **商品详情**
- 58 **快速启动**
 - i. 房间内放置PR/01的理想位置
 - ii. 开/关电源
 - iii. 选择源
- 59 **通过你的设备使用PR/01**
 - i. 蓝牙® APTX连接
 - ii. 数据线连接
 - iii. USB充电口
 - iv. 无线充电器
- 61 **如何操作**
 - i. 清洁PR/01
 - ii. 没有电源
 - iii. 没有声音
 - iv. 声音失真或有嗡嗡声
 - v. 背景噪音和不良干扰
 - vi. 蓝牙®
- 62 **技术规格**

PR/01 扬声器

包装清单



- 电源线
- 配有RCA和3.5mm立体声插头的双头线
- 用户指南和保修卡
- 木质外箱的扬声器和可拆卸前面板

安全指引

1. 阅读指南。
2. 保存指南。
3. 注意警告事项。
4. 遵守指南要求。
5. 请勿在靠近水的地方使用PR/O1。
6. 只可使用干布清洁PR/O1。
7. 不要堵塞任何通风口。按照生产商的说明进行安装。
8. 请勿安装在任何热源附近，如暖气机，热风口，炉具，或产生热量的其他设备（包括放大器）。
9. 保护好电源线，不要踩踏、折弯 - 特别于插头、电源插头及设备上的电源出口处
10. 只使用生产商指定的副件配件。
11. 只能使用生产商指定或与设备一起出售的推车，支架，三脚架，托架或台架。使用推车时，请小心移动推车或设备组合以避免翻倒而造成伤害。
12. 雷雨天气或长时间不使用时，请切断电源。
13. 所有的维护工作只能由合格的专业人员进行。例如，下列原因导致损坏时：电源线或插头损坏，液体溅在PR/O1上或有物体掉入PR/O1中，设备淋雨或受潮，设备无法正常运作，或设备掉落。
14. 设备输入耦合器用作断开设备 - 断开设备应保持可操作性。
15. 不要违反极化或接地型插头的安全目的。极化插头有两个刀片，一个比另一个宽。接地类型插头有两个刀片和第三个接地插脚。宽的刀片或第三个插脚是为了您的安全而提供的。如果提供的插头不适合您的插座，请咨询电工更换新的插座。

安全指引

在启用PR/01之前，请您先认真阅读下列各项说明。



内含闪电图样的三角形警告使用者在该装置中使用了高压电，有触电危险。



内含惊叹号的三角形提示使用者在同时提供的使用说明中有重要的操作和保养(维修)说明，必须严格遵守。

严禁打开！触电危险！



注意：切忌打开喇叭罩/电源供电部件，以免触电。使用者不要自行修理音响。必须由合格的技术人员维修！不得使用不能完全插入电源插头的插座或加长电线。



仅用于海拔2000米以下地区安全使用



仅用于非热带气候条件下安全使用



WEEE 符号

有轮垃圾箱是欧盟表示单独回收电子电气设备的符号。本产品含有可回收再利用的电子电器部件，不得弃于没有专门分类的垃圾箱中。请将设备归还给授权经销商，或与之联系获取更多信息。



CE 符号

本产品按照用户指南安装使用时，符合欧盟关于低压设备(2014/53/EU)和电磁兼容性(2014/30/EU)的规定。为保证合规，本产品只能使用NATIVE UNION 及 La Boite concept的配件，维护工作只能由有资格的专业人士进行。

加拿大工业部通知

此设备符合加拿大工业部RSS免许可证，操作符合以下两个条件:(1)此设备不会造成干扰，并且(2)此设备必须承受任何干扰，包括可能会导致意外操作设备的干扰。

根据加拿大工业部的规定，此无线电发射机只能使用加拿大工业部批准的发射机类型和最大（或较小）增益的天线进行操作。为减少对其他用户的潜在无线电干扰，应该选择天线类型及其增益，使得等效全向辐射功率（EIRP）不超过成功通信所需的功率。该设备符合加拿大 ICES-003 和 RSS-210。

位置

妥善选择安装位置。不得将 PR/01 直接置于阳光照射下或靠近热源的地方。不得将火源，如点燃的蜡烛之类放于 PR/01 上。同样，不要放在振动、布满灰尘、阴冷潮湿的地方。PR/01 可在恒温下使用。

不得将 PR/01 安装在完全密闭的房间或箱子内。不得将 PR/01 置于不牢固的表面上。因分布性磁场的影响，不得将录音机或 CRT 电视机置于 PR/01 附近，以防止干扰。

电源

PR/01 只能使用在兼容电源上，如果不清楚所在地的电源额定值，请联系经销商或所在地电力公司。如不使用时，请将 PR/01 置于待机模式而延长放大器的使用寿命。

如果长时间不使用 PR/01，请将其从电源插座拔下。

过载

防止插入墙面插座的电气设备或拖线板过载，因为这有失火或漏电的风险。过载的直流电气、拖线板、电源线损坏、绝缘层损坏或破裂、插头损坏都有危险，可能导致漏电或失火。确保每根线正确插入。为防止嗡嗡声或背景噪音，电源线或扬声器线不得混用。

清洁

清洁 PR/01 时请用干燥、无绒的布擦拭。不得使用含有酒精、氨或研磨剂的液体清洁产品。请不要在 PR/01 上或附近使用喷雾剂。

修理

请勿自行修理 PR/01。若发生问题时，不要尝试修理或拆卸 PR/01。如果不遵守此安全指引，可能发生强大的漏电。发生问题或故障时请联系经销商。

通风:重要

PR/01 使用时可能会发热。不得将 PR/01 置于完全密闭的房间或没有足够通风的场所。确保没有小物体掉入 PR/01。如果发生，请立即关闭，断开墙面插座，并联系经销商以获取帮助和建议。

NATIVE UNION之有限保修

所有国家(法国除外)*

NATIVE UNION保证本产品在我们网站上或从NATIVE UNION授权之零售商或经销商购买之日起24个月内因材料和工艺缺陷而导致的损坏。

请确保在我们的网站上注册您的PR/01:

www.nativeunion.com/pr-01-registration

在购买PR/01后, 请从扬声器背后取得序列号并在我们网站进行质保注册。完成注册程序后, 若您需要提交质保索赔, 您不需要再向NATIVE UNION提供这些资讯。请注意这只是一个附加功能以方便您: 否则你必须提供购买凭证和序列号资讯。

NATIVE UNION的保修范围不包括正常磨损, 木材碎裂, 金属划伤, 配件脱落, 暴露于过度潮湿的环境或被水分损坏的产品。

易受磨损的部件(如纤维网布) 仅在于材料或制造过程中而发生故障时才会被更换, 并且在产品保修期内只能更换一次。有限保修不包括遗失或被盗产品或零件。

在购买后的三个月内发生技术故障, NATIVE UNION将会替换一个全新的PR/01。若在购买后的三个月后发生技术故障, NATIVE UNION将会替换一个经翻新后的PR/01。在我们的网站、授权零售商或经销商购买PR/01之后, 在申请保修时需提供序列号和购买凭证, 若以礼物形式接收的PR/01在提供购买凭证和序列号资讯情况下, 同样在保修范围内。

若PR/01超出保修期, NATIVE UNION亦可提供维修服务。要启动此服务请电邮到 PR01support@nativeunion.com, 有人会为你提供协助以及发送维修报价单。

NATIVE UNION之有限保修可取代任何其他明示或隐含的保证。

若使用PR/01而产生的任何直接, 间接, 意外或相应的损害或费用, NATIVE UNION将不会承担任何责任。

*在我们的网站<https://www.nativeunion.com/pr-01-authorized-resellers-france>参阅 NATIVE UNION在法国地区中授权之零售商或经销商的完整列表。

LA BOITE CONCEPT之有限保修

仅限法国(特殊情况除外)

本产品根据最严格的质量标准设计制造。但在发生问题时，La Boite concept及其国家经销商保证，在La Boite concept授权的经销商服务的国家内，所有维修部分(特殊情况除外)和备件均免费。本产品保修期为24个月，除非根据某些国家的法律规定有例外情况之外。请联系所在国的La Boite concept经销商获取更多信息。

请确保在我们的网站上注册您的PR/01:

www.laboiteconcept.com/register

1. 本保修仅限设备修理。保修并不包括运输或其它费用，与提货、运输及安装有关的风险。
2. 本保修仅限于初始拥有者，不得转让。
3. 本保修仅适用于购买时因材料和工艺缺陷而导致的损坏，不适用于下列情况：
 - a. 因安装、连接或包装不正确而导致的损坏。
 - b. 因不按照用户指南正确使用、疏忽、变更或使用非NATIVE UNION 及 La Boite concept 制造或批准的部件导致的损坏。
 - c. 因辅助设备有故障或不匹配导致的损坏。
 - d. 因事故、闪电、水、热、战争、扰乱公共秩序、或其它不在 NATIVE UNION 及 La Boite concept 及其授权经销商合理控制范围内因素导致的损坏。
 - e. 产品系列号修改、擦除、消除或模糊不清。
 - f. 产品被非授权人员修理或改动。
4. 本保修也符合分销商和经销商所在国的国家/地方法律规定，不影响你作为消费者的合法权利。
5. 申请保修时，请使用PR/01的原有的包装。

如何申请保修

如果需要根据保修政策申请质保，请按照下列步骤进行：

1. 如果设备在购买国使用，请联系当地销售设备的NATIVE UNION 及 La Boite concept 授权分销商。
2. 如果设备不在购买国使用，请联系所在的国家La Boite concept分销商，他们将告知在何处修理。申请赔偿可以通过La Boite concept法国总部官网laboiteconcept.com提出申请。为了证明有效，需提交初始购买发票或其它购买凭证及购买时间。

商品详情

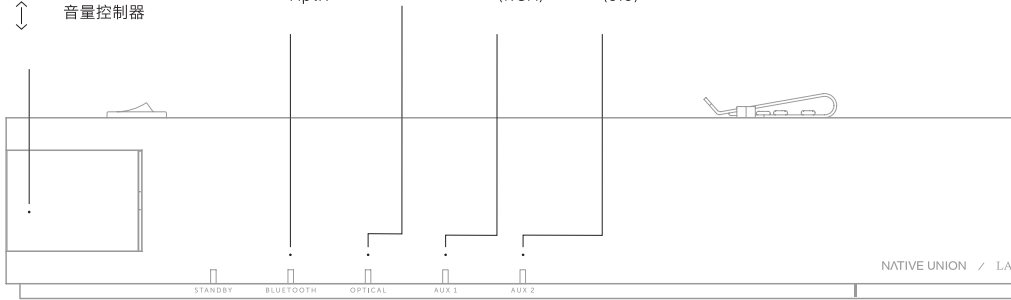
按钮和控制面板

待机开关

- 主键开/关
- ↑ ↓ 音量控制器

LED指示灯

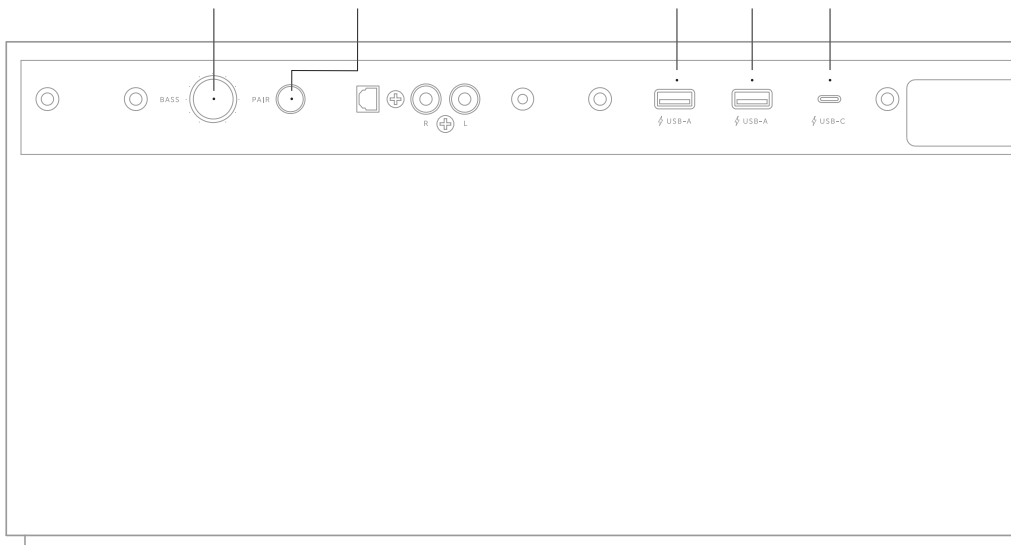
- 蓝牙® AptX®
- 光纤
- AUX 1 (RCA)
- AUX 2 (3.5)



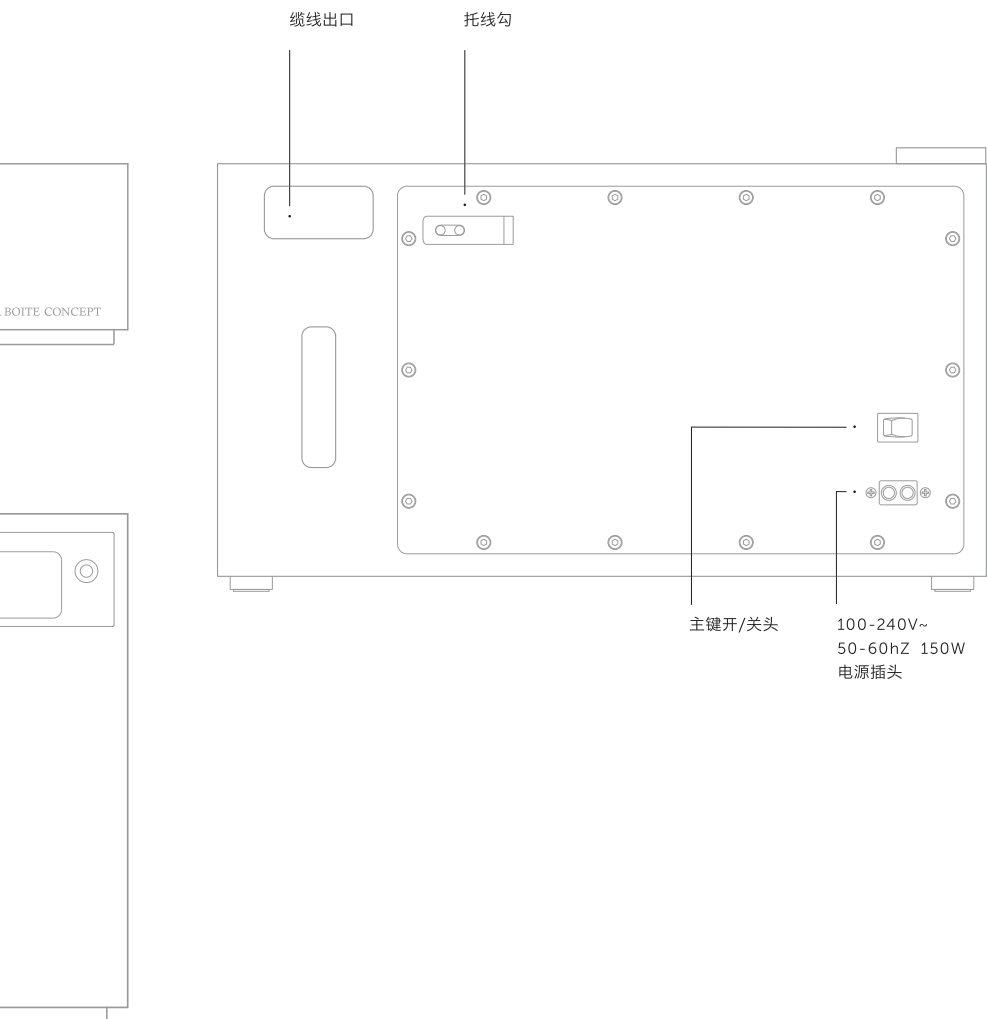
低音音量控制器

与蓝牙®64215AptX® 配对键

USB-A 和 USB-C



PR/01 的背面



快速启动

i. 房间内放置PR/01的理想位置

声音覆盖整个房间

不论PR/01放在房间的任何角落都能充分利用扬声器系统的优点。在理想情况下，PR/01与墙体之间至少要保持10至15厘米左右的距离才能反射低音并获得较好的音响效果。无论你是否在设备附近，都能为你提供高质量的立体效果。因此，听众不必位于中心位置也能达到最佳的立体声效果(能令多个听众同时享受立体声)。此外，无需将PR/01完全和房间墙壁对称。

ii. 开/关电源

1. 将电源线插入PR/01背面的电源线插头。
2. 将电源线插入墙壁插座。
3. 打开扬声器背面的开关，以开启PR/01。蓝牙® LED将闪动。
4. 如果您的设备在30分钟内没有提供信号，PR/01将自动进入待机模式。待机LED灯将变为红色。
5. 要将PR/01变为临时“关闭”模式，请按下控制旋钮直到LED灯熄灭。若要重新启动，请再次按下控制旋钮。若PR/01处于“关闭”模式中，USB充电功能亦会继续运作。
6. 要完全关闭PR/01，请关闭扬声器背面的主键。所有的LED灯和USB充电端口的电源将关闭。

iii. 选择源

1. 按下源/唤醒键以选择源或在所连接源之间切换。
2. 亮起的LED灯说明哪个源被选择。连接顺序(从左至右)：蓝牙®AptX、光纤、AUX1:RCA、AUX2:3.5.

通过你的设备使用PR/O1

当主电源开启时，输出音量设置为40%。若首次连接新的音源时请从低音量开始逐渐调高音量。在音源以默认（高 - 最大）音量播放并在PR/O1上控制音量时可达到最佳的音质。

i. 蓝牙® APTX连接

PR/O1配有蓝牙® 64215 AptX；允许你从电脑、平板电脑或智能手机无线传输音乐信号到扬声器。PR/O1的蓝牙®接收器集成了64215 AptX软件、参考码，所以你可通过无线设备欣赏高分辨率音乐。进行连接时，只需：

1. 开启PR/O1。
2. 蓝牙®是默认源，将自动开启。PR/O1上的LED灯将快速闪动白色光。
3. 启动设备(电脑、平板电脑或智能手机)的蓝牙®功能。
4. 在你的PR/O1上按下配对键。
5. 在你的设备上，选择清单中的PR/O1。
6. LED灯将变为稳定的白色。
7. 现在可在距离PR/O1大约10米的半径内控制源(电脑、平板电脑或智能手机)的播放清单。

注意：

只需将电脑、平板电脑或智能手机和PR/O1配对一次，随后设备将自动存储在蓝牙®连接清单中。若与新设备配对时请再次按下配对按钮，重复以上步骤。PR/O1内存中可最多存储6个设备。

蓝牙文字商标和徽标是Bluetooth® SIG公司拥有的注册商标，NATIVE UNION对这些商标的任何使用均已获得许可。商标名称和其他商标由其持有人所拥有。

ii. 数据线连接

光纤音频数字输入

利用光纤输入将PR/O1和电视机、硬盘播放器、流媒体播放器、卫星或盒子接收器相连。光纤输入只适于PCM立体声，如果所连接的设备发送5.1音频(或类似环绕声)时PR/O1将无法运作。进行连接时，只需：

1. 将光纤音频电缆和源的光纤音频输入相连。
2. 开启PR/O1。
3. 按下控制按钮，将光纤选为源。

通过你的设备使用 P R / 0 1

AUX 1: RCA ANALOG INPUT

使用RCA输入连接智能手机、音乐播放器或平板电脑

1. 用音频线将PR/01和音乐设备（源）的音频输出相连。
2. 按下控制按钮直到AUX 1的LED灯亮起，选择AUX 1作为源。

AUX 2: 3.5MM立体声插头

使用3.5mm立体声插头输入插口连接CD播放器或唱机（预放大）

1. 用音频线将PR/01和音乐设备（源）的音频输出相连。
2. 按下控制按钮直到AUX 2的LED灯亮起，选择AUX 2作为源。

iii. USB充电口

PR/01内置3个USB充电端口。在扬声器处于待机模式时，端口依然会保持供电。若关闭声器背后的主键，USB供电也会同时关闭。该充电口适用于大多数符合USB规格的5V设备，USB-A端口可提供高达2.4A的充电电流（适用于iPad快速充电），USB-C端口可提供高达3A的充电电流（适用于USB-C快速充电）。

注意：切勿使用已损坏的充电线，避免过热而引致火灾。USB-C充电电流限制在15W，能够为大多数手机和平板电脑充电。USB-C笔记本电脑应连接相应的原厂充电器。此充电器与旧版iPod经典（2010年以前）以及其他与不符合USB标准的设备不完全兼容。

iv. 无线充电器

PR/01木质外箱的顶部内有一个凹槽，可容纳NATIVE UNION无线充电器 DROP（须另外购买）。请将DROP放置在EVA垫片内。无线充电已经通过测试并可为iPhoneX和iPhone8/8 Plus提供无线充电。若使用其他手机型号或较厚的保护壳时，无线充电可能无法正常运作。在这种情况下，建议将无线充电器放置在扬声器的顶部，而不是在木质外箱下内。

*iPhone是Apple Inc的商标，在美国和其他国家注册。

如何操作？

i. 清洁PR/01

在清洁设备前，从电源插头拔下PR/01。只能用于布清洁设备。不得使用清洁酒精或溶剂清洁设备表面，因为它们可能损坏图层，不慎渗入设备电子部件，可能导致电气故障或失火。

ii. 没有电源

确保电源线已妥善连接。确保插头已完全插入插座并接驳电源。请根据控制面板上的LED白灯来确认你的设备是否开启。请确保PR/01并不是处于待机模式。请按下主键来唤醒设备。

iii. 没有声音

确保电源线妥善连接。确保插头完全插入电源插座，且上电。确保设备打开，检查上面板的LED白灯。确保PR/01并不是处于待机或关闭模式。检查该设备的蓝牙连接是否仍然有效。

iv. 声音失真或有嗡嗡声

检查和音乐播放器的连接。确保所有连接线正确插入，尤其是接地/保护屏蔽。确保充电线状况良好。

v. 背景噪音和不良干扰

将本设备和其它可能造成干扰的电气设备分开。如果上述方法不能解决问题，请联系专业人士。你的家用电器可能连接到接地端，或者受到导致音频噪音的电气设备干扰。在保修期或之后的修理，请联系经销商。

vi. 蓝牙

连接新设备时，确保PR/01输入源切换到蓝牙。如果PR/01没有显示在您的设备上，请短按PR/01蓝牙按钮后手动刷新设备上的蓝牙设备列表。当你成功连接设备后，将会有一个短暂的音频信号。如果您听不到任何声音，请确保PR/01不是处于待机状态并调高音量。

你的设备在离开蓝牙范围或在待机状态后，连接可能会断开。在这种情况下，可以通过手机的蓝牙设置页面进行蓝牙连接（无需再按PR/01上的蓝牙按钮）。请注意您摆放的位置如有墙壁或家具阻挡信号，蓝牙范围将限制在5-10米或以下。

技术规格

源

蓝牙® AptX 64215

光纤:光纤音频数字输入

AUX 1: RCA ANALOG INPUT

AUX 2: 3.5mm 立体声插头

USB 充电口

2x USB-A (长期开启, 充电电流可达 2.4A)

1x UBS-C (长期开启, 充电电流可达 3A)

尺寸及重量

高: 237mm, 长: 410mm, 宽: 256mm

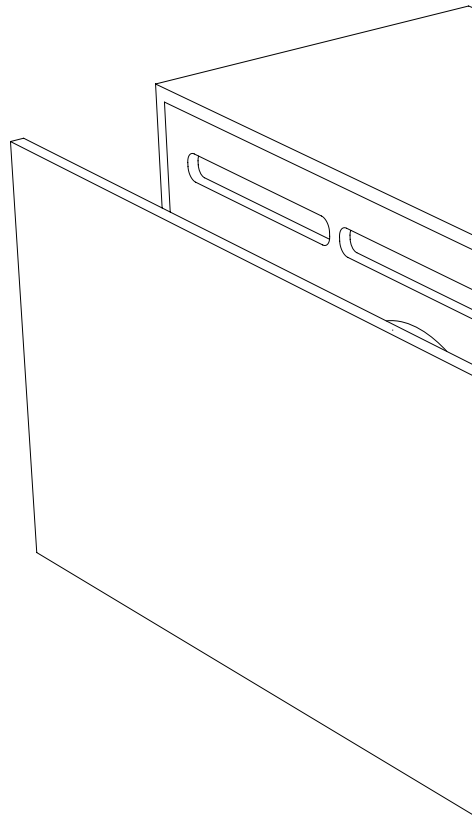
重量: 11kg

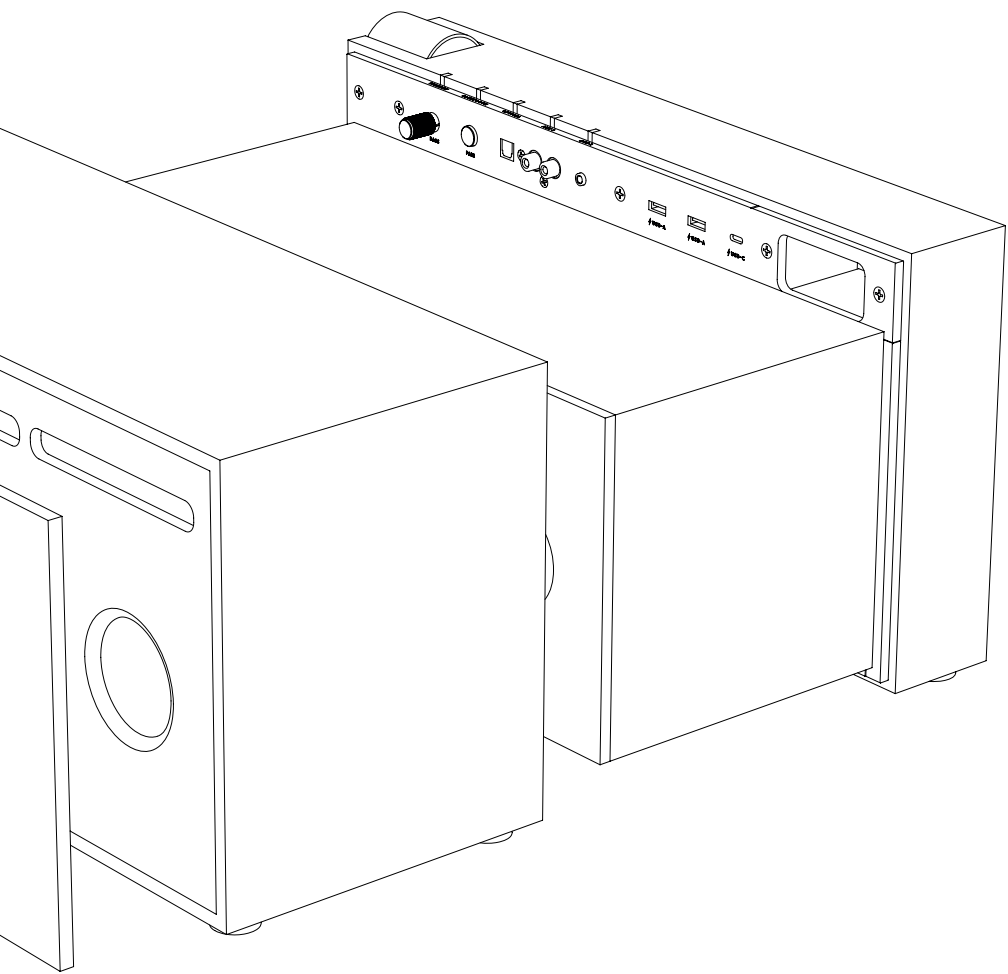
驱动组合

1 x 5" LBC 制造的中音扬声器

1 x 5" LBC 制造的长冲程低音单元

2 x LBC 制造的丝绸扬声器






NATIVE UNION

nativeunion.com

 nativeunion

 nativeunion

 native_union