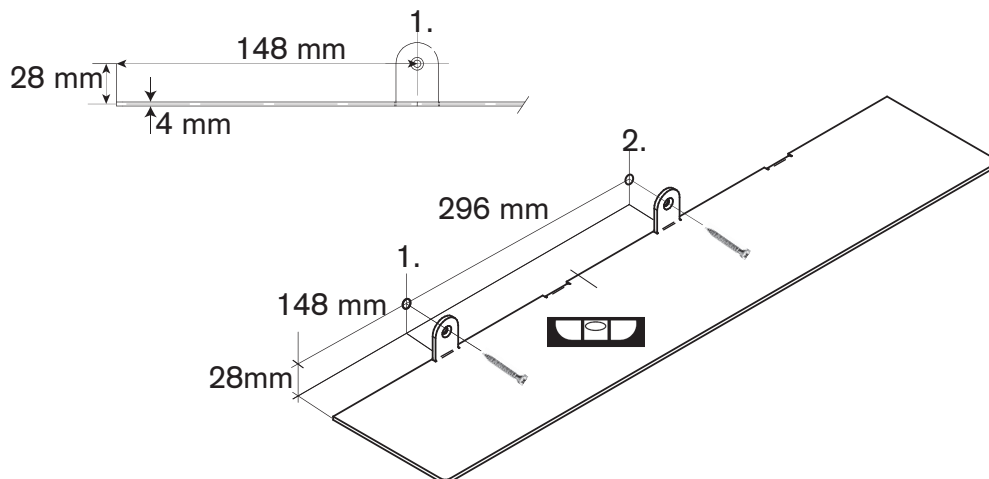


1. - draw a horizontal thin pencil line on the wall at the desired height  
- shelf N° 1 / total length is 740 mm

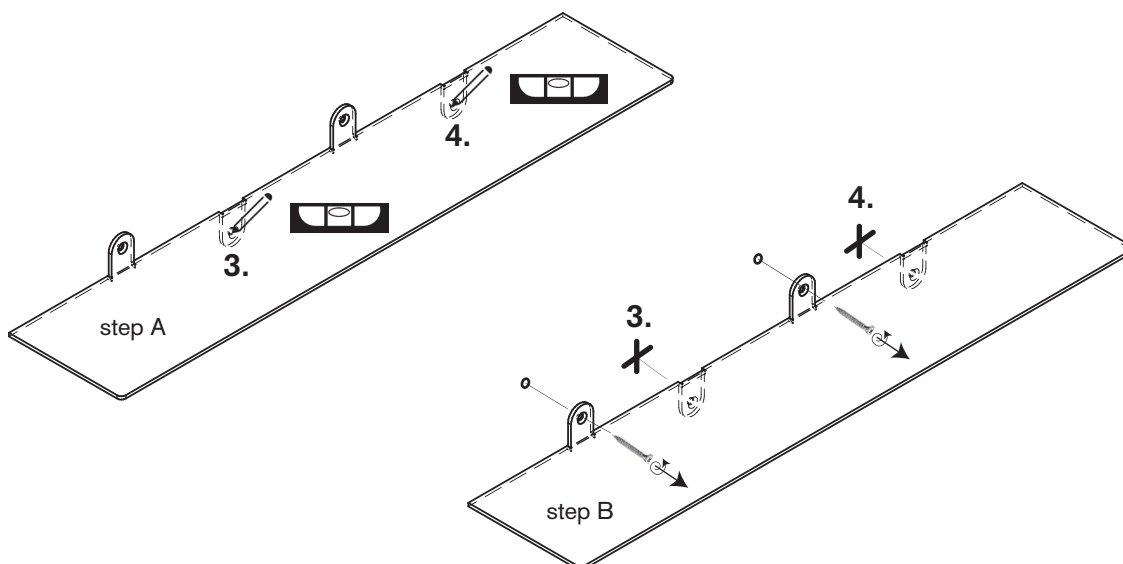


2. - indicate the 2 drillholes precisely above the shelf while holding the shelf to the wall  
- minimum 2 persons needed / check carefully with spirit level



3. - drill the first 2 holes / predrill with  $\varnothing 6\text{mm}$ , and drill final hole with  $\varnothing 8\text{mm}$   
- screw by hand the full coloured wall screws into the connection points! not completely tight to the end!

4. - step A / indicate the extra 2 holes (3/4) while the shelf is mounted to the wall / check with spirit level  
- step B / unscrew by hand the 2 wallscrews



5. - drill the extra 2 holes (3/4) / predrill with  $\varnothing 6\text{mm}$  and drill final hole with  $\varnothing 8\text{mm}$   
- screw by hand the full coloured wall screws into all 4 connection points! not completely tight to the end!  
- screw all connections tight, starting from the middle towards both ends left and right, check horizontal position using a spirit level  
- small adjustments are still possible when screws are not fully tightened

# MOUNTING INSTRUCTION SHELF n°2

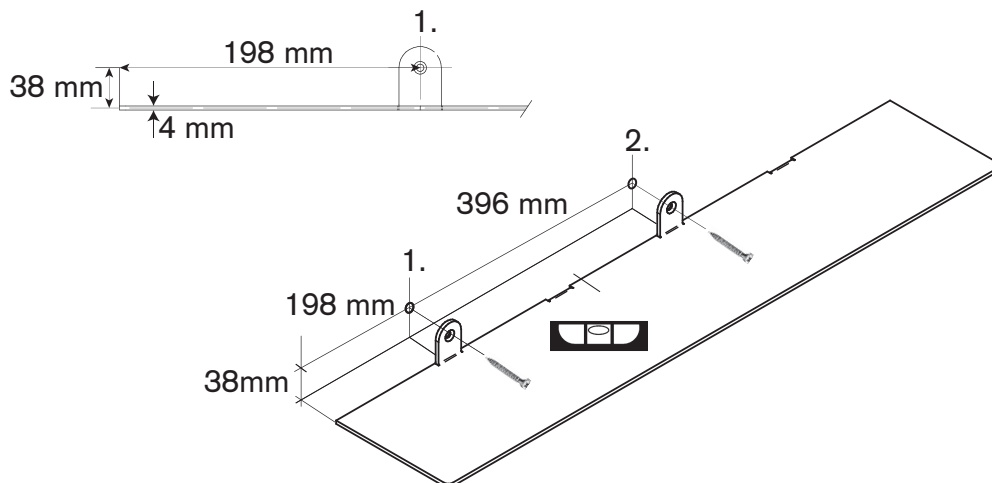
V9017101LG / MU / R / W / Z

990 x 250 x 116 mm / max 20 kg

1. - draw a horizontal thin pencil line on the wall at the desired height  
- shelf N° 2 / total length is 990 mm

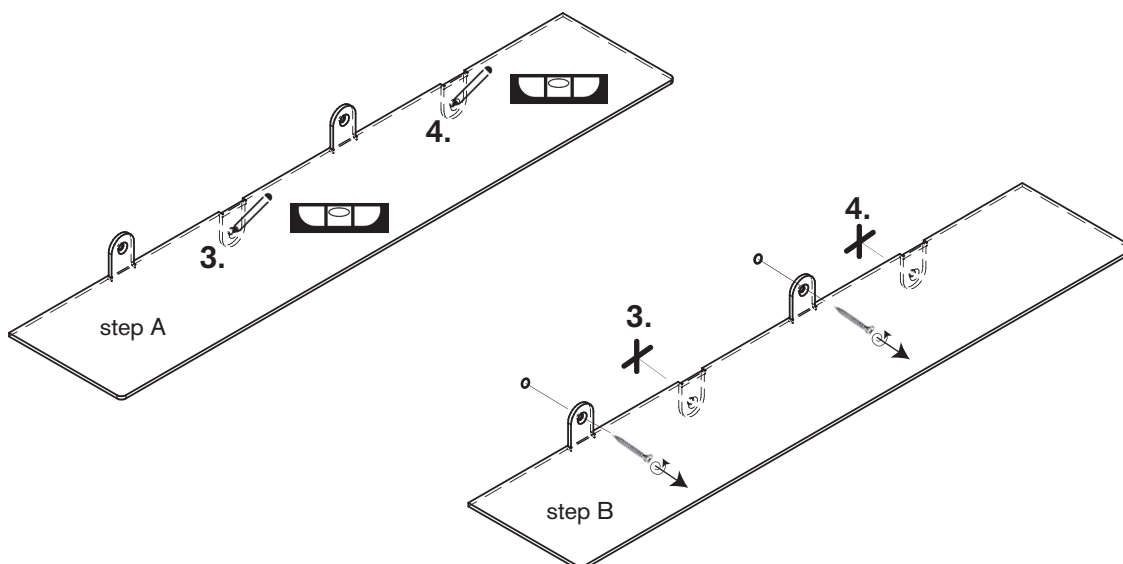


2. - indicate the 2 drillholes precisely above the shelf while holding the shelf to the wall  
- minimum 2 persons needed / check carefully with spirit level



3. - drill the first 2 holes / predrill with  $\varnothing$  6mm, and drill final hole with  $\varnothing$  8mm  
- screw by hand the full coloured wall screws into the connection points! not completely tight to the end!

4. - step A / indicate the extra 2 holes (3/4) while the shelf is mounted to the wall / check with spirit level  
- step B / unscrew by hand the 2 wallscrews



5. - drill the extra 2 holes (3/4) / predrill with  $\varnothing$  6mm and drill final hole with  $\varnothing$  8mm  
- screw by hand the full coloured wall screws into all 4 connection points! not completely tight to the end!  
- screw all connections tight, starting from the middle towards both ends left and right, check horizontal position using a spirit level  
- small adjustments are still possible when screws are not fully tightened

# MOUNTING INSTRUCTION SHELF n°3

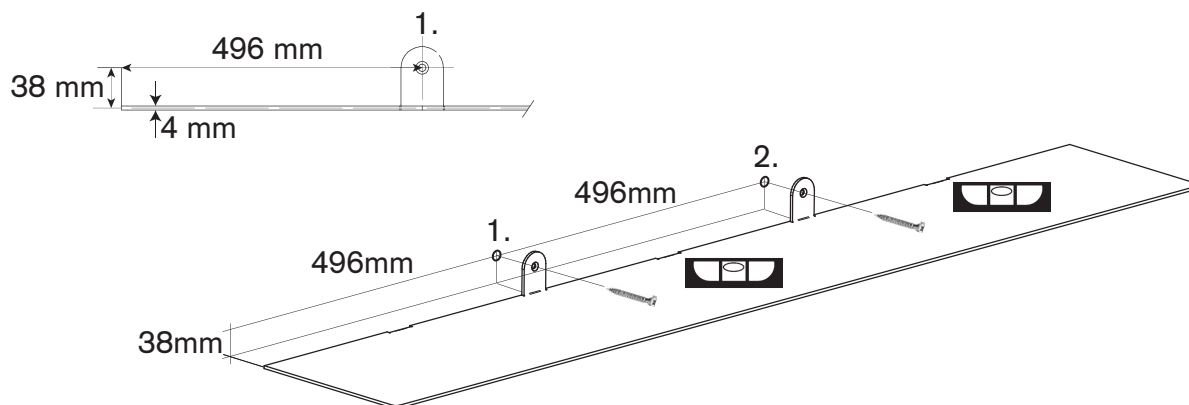
V9017102LG / MU / R / W / Z

1488 x 250 x 116 mm / max 20 kg

1. - draw a horizontal thin pencil line on the wall at the desired height  
- shelf N° 3 / total length is 1488mm

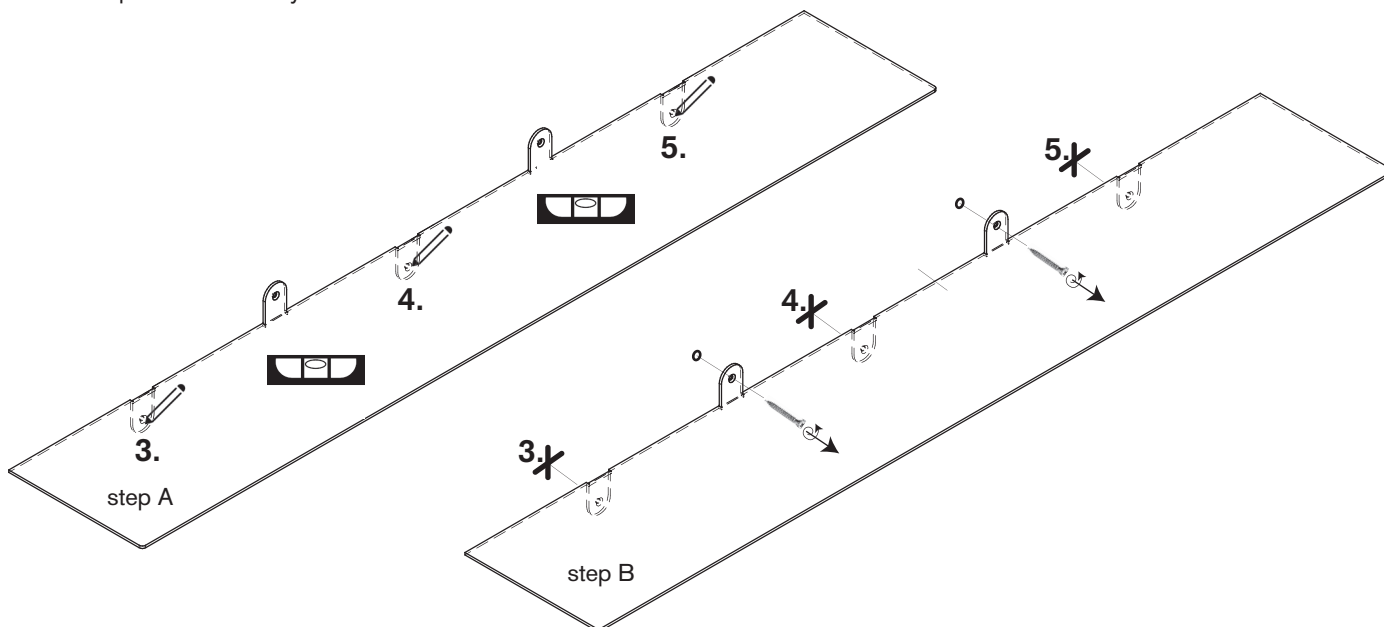


2. - indicate the 2 drillholes precisely above the shelf while holding the shelf to the wall  
- minimum 2 persons needed / check carefully with spirit level



3. - drill the first 2 holes / predrill with  $\varnothing$  6mm, and drill final hole with  $\varnothing$  8mm  
- screw by hand the full coloured wall screws into the connection points! not completely tight to the end!

4. - step A / indicate the extra 3 holes (3/4/5) while the shelf is mounted to the wall  
- step B / unscrew by hand the 2 wallscrews



5. - drill the extra 3 holes (3/4/5) / predrill with  $\varnothing$  6mm and drill final hole with  $\varnothing$  8mm  
- screw by hand the full coloured wall screws into all 5 connection points! not completely tight to the end!  
- screw all connections tight, starting from the middle towards both ends left and right, check horizontal position using a spirit level  
- small adjustments are still possible when screws are not fully tightened

# MOUNTING INSTRUCTION SHELF n°4

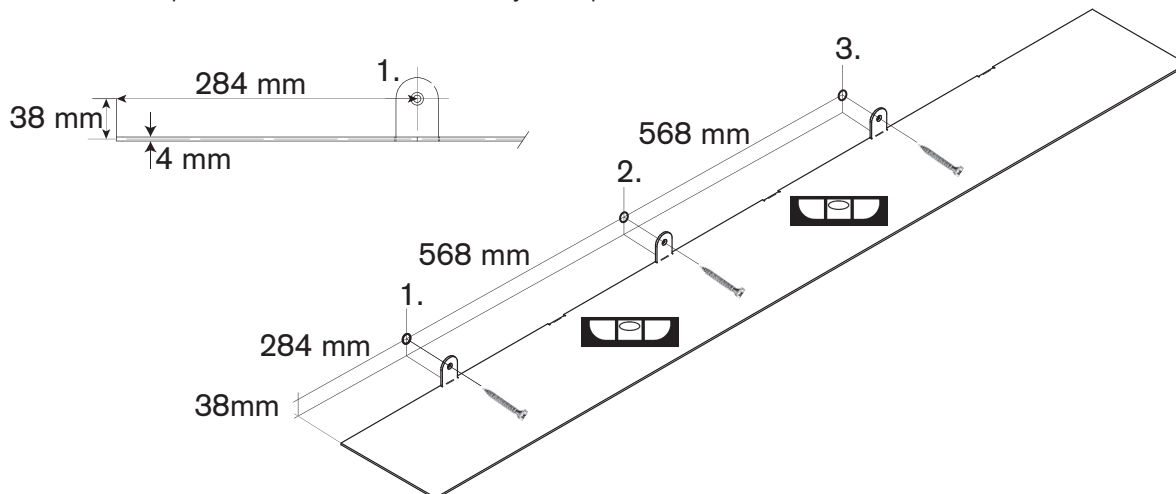
V9017103LG / MU / R / W / Z

1988 x 250 x 116 mm / max 25 kg

1. - draw a horizontal thin pencil line on the wall at the desired height  
- shelf N° 4 / total length is 1988mm

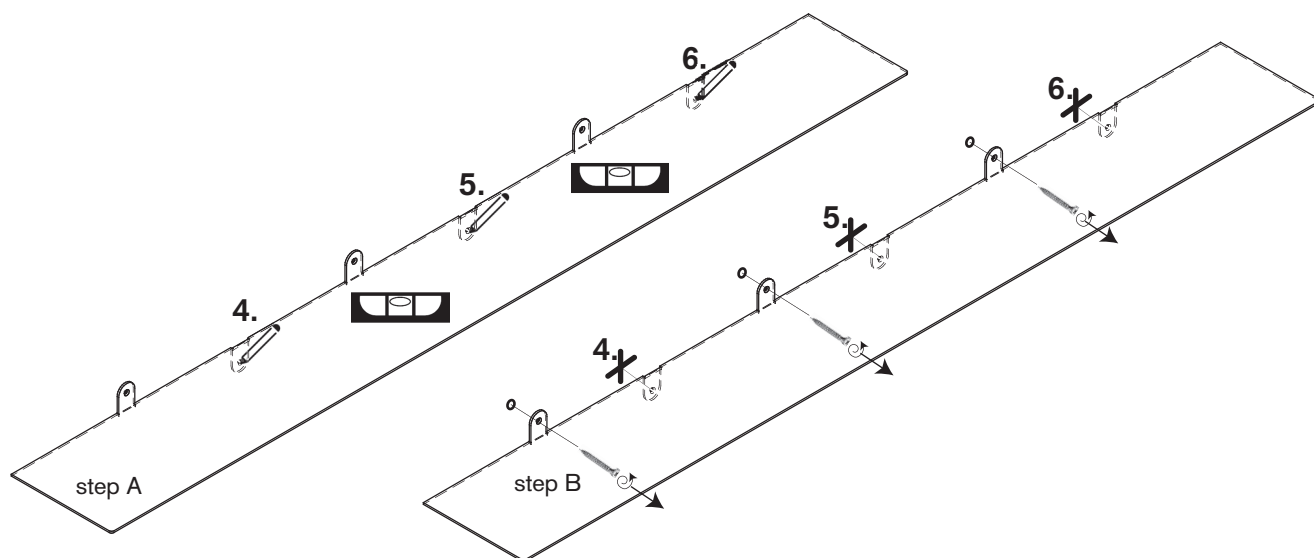


2. - indicate the 3 drillholes precisely above the shelf while holding the shelf to the wall  
- minimum 2 persons needed / check carefully with spirit level



3. - drill the first 3 holes / predrill with  $\varnothing$  6mm, and drill final hole with  $\varnothing$  8mm  
- screw by hand the full coloured wall screws into the connection points! not completely tight to the end!

4. - step A / indicate the extra 3 holes (4/5/6) while the shelf is mounted to the wall / check with spirit level  
- step B / unscrew by hand the 3 wallscrews



5. - drill the extra 3 holes (4/5/6) / predrill with  $\varnothing$  6mm and drill final hole with  $\varnothing$  8mm  
- screw by hand the full coloured wall screws into all 6 connection points! not completely tight to the end!  
- screw all connections tight, starting from the middle towards both ends left and right, check horizontal position using a spirit level  
- small adjustments are still possible when screws are not fully tightened