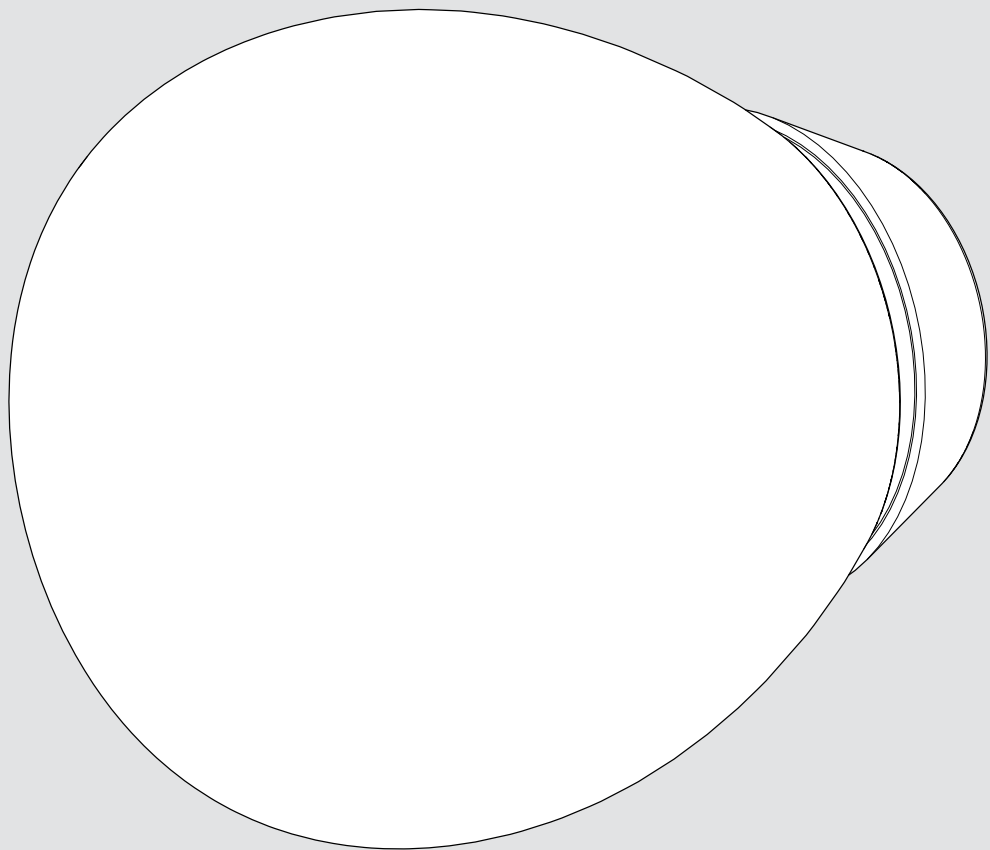


Artemide®

Empatia 16

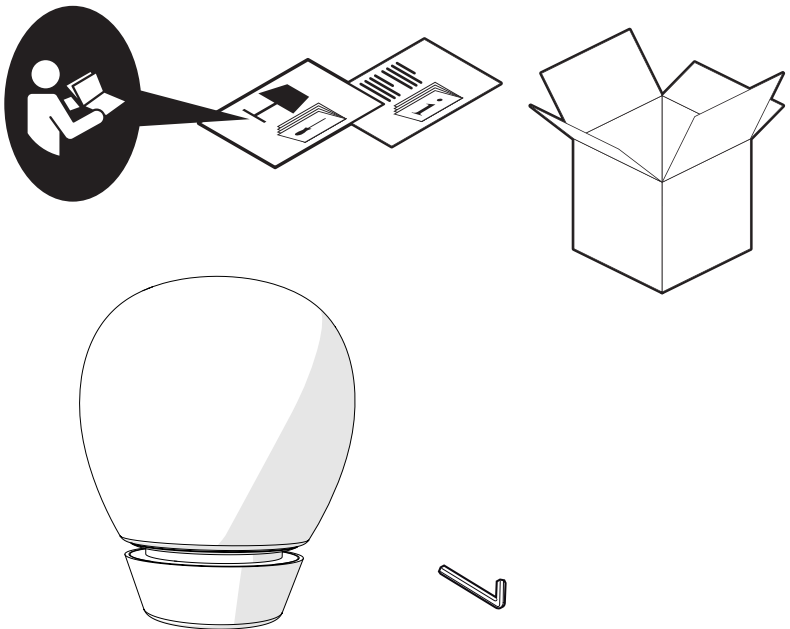
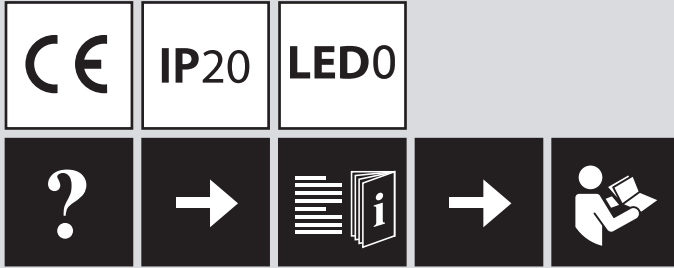
design

C. de Bevilacqua - P. di Arianello

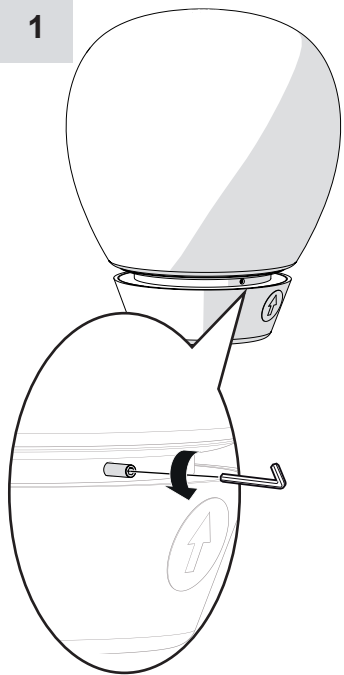




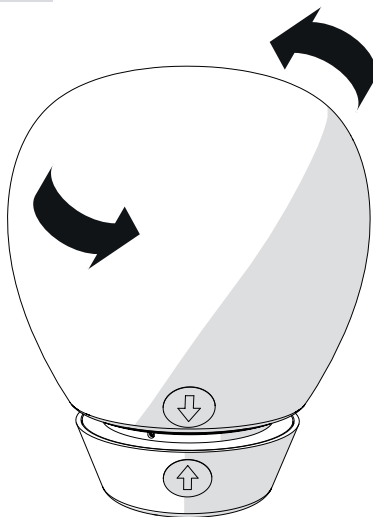
i



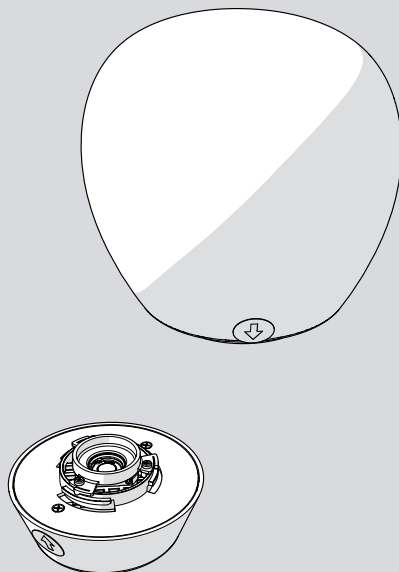
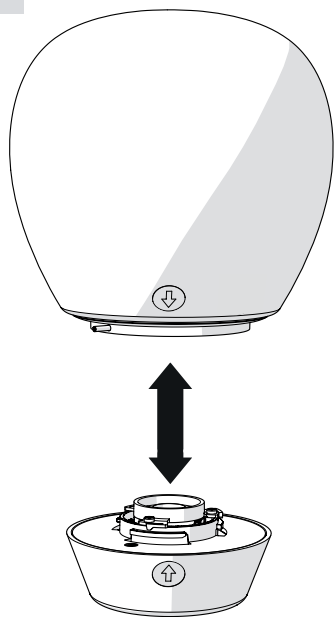
1

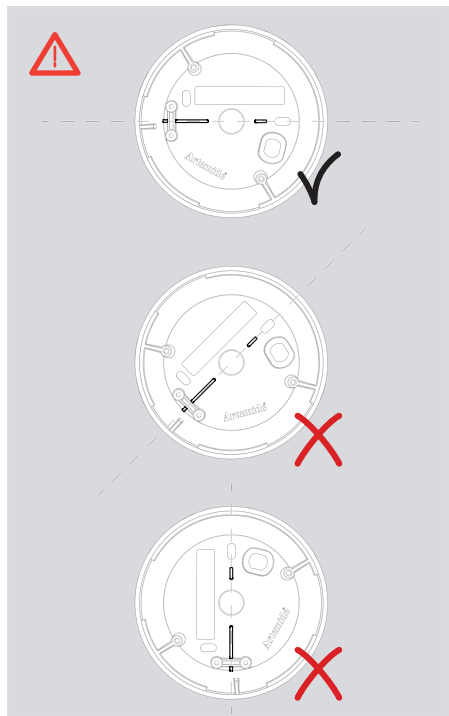
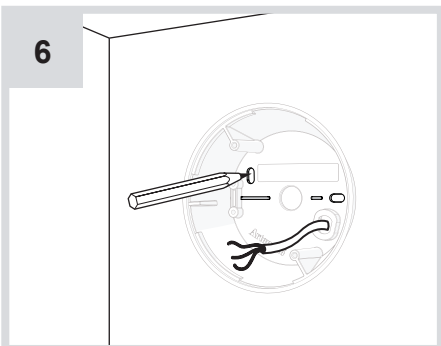
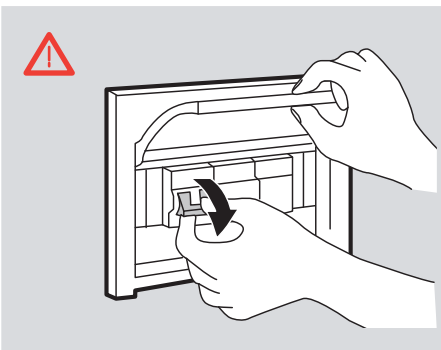
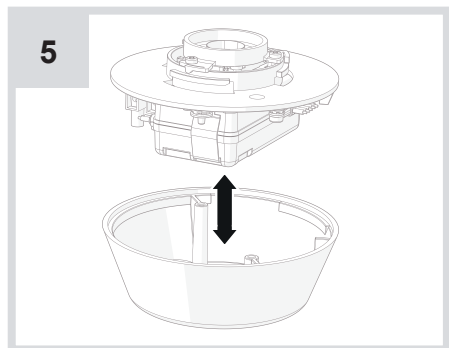
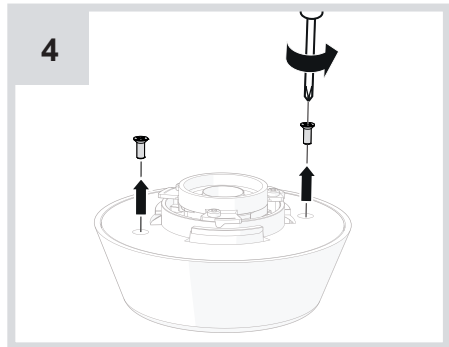
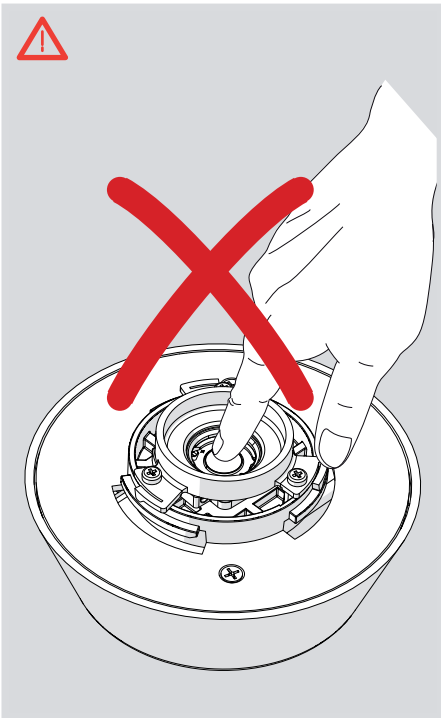


2

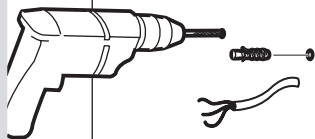


3

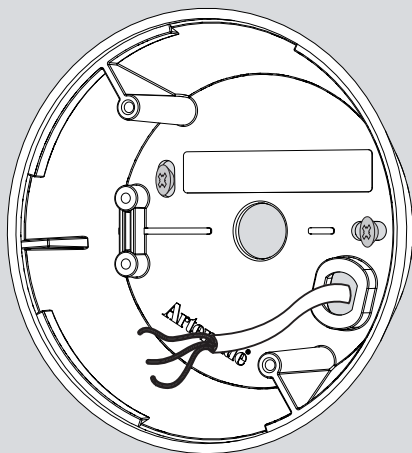
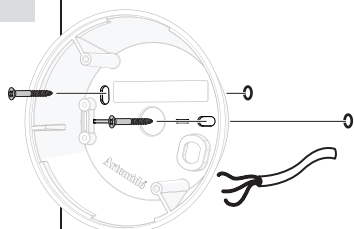




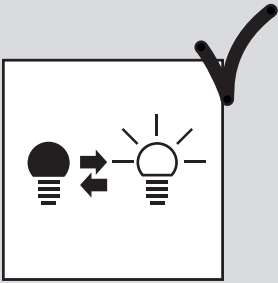
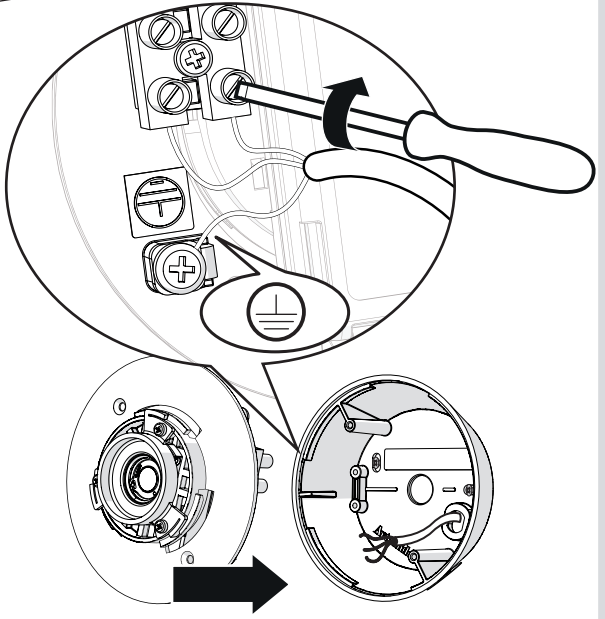
7



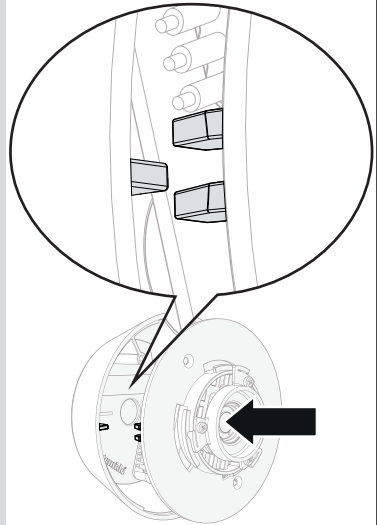
8



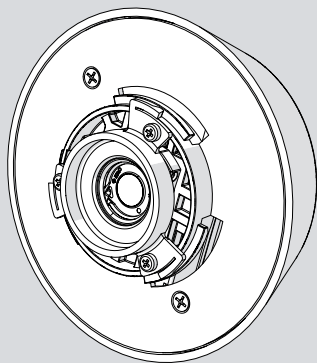
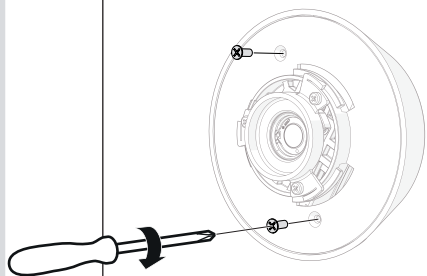
9



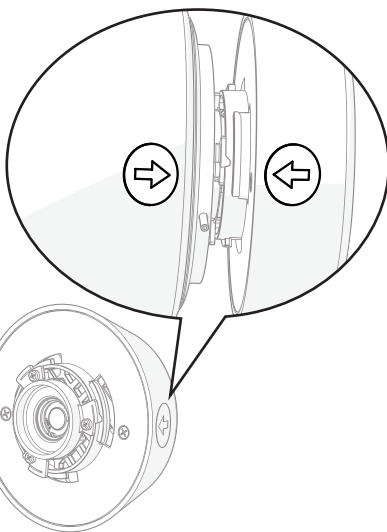
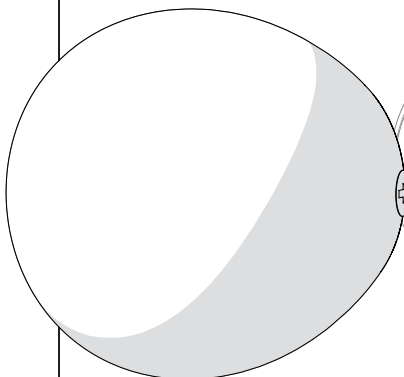
10



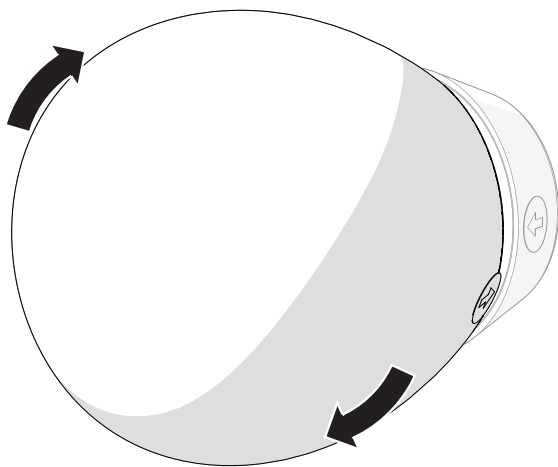
11



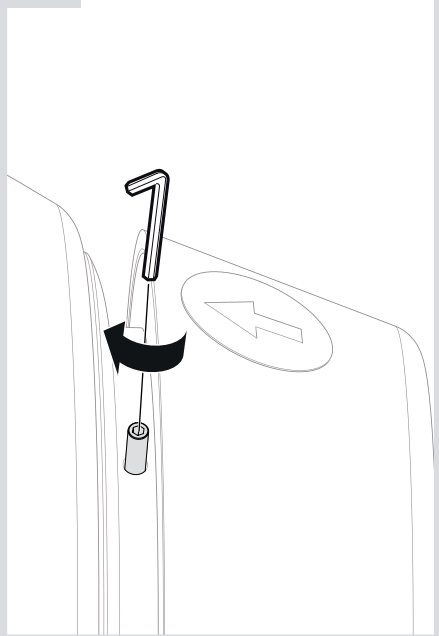
12



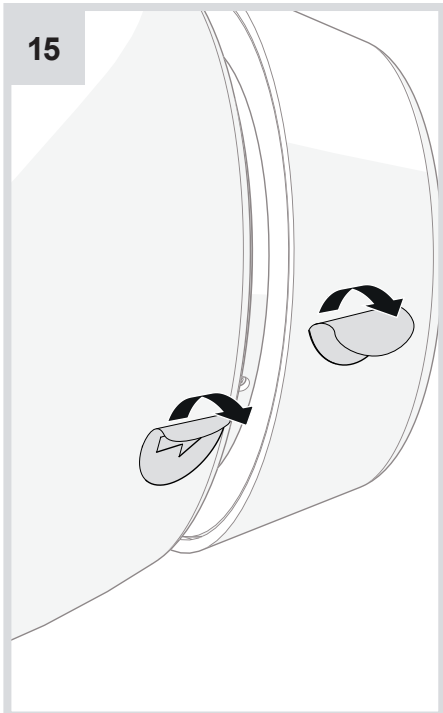
13

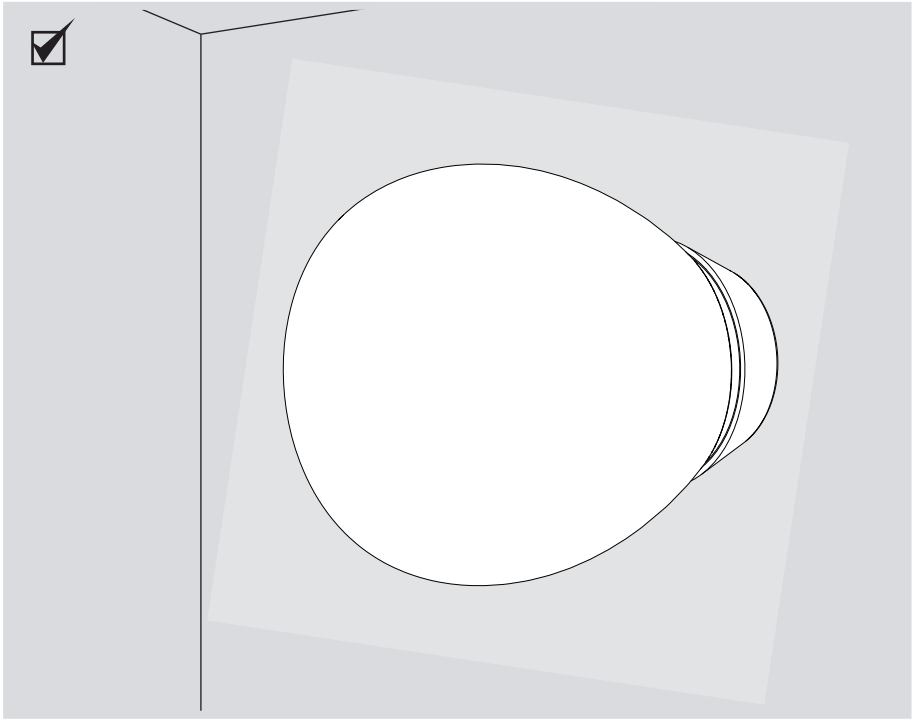


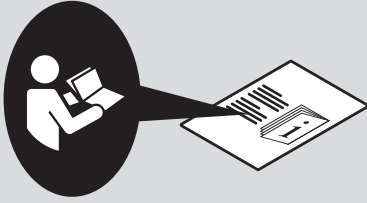
14



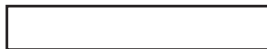
15







Artemide®



Artemide

via Bergamo, 18
20010 Pregnana M.se (MI)
ITALIA

tel. +39 02 935 181
fax +39 02 935 90 254
fax +39 02 935 90 496

www.artemide.com

VAT IT00846890150

cod. Y513000187