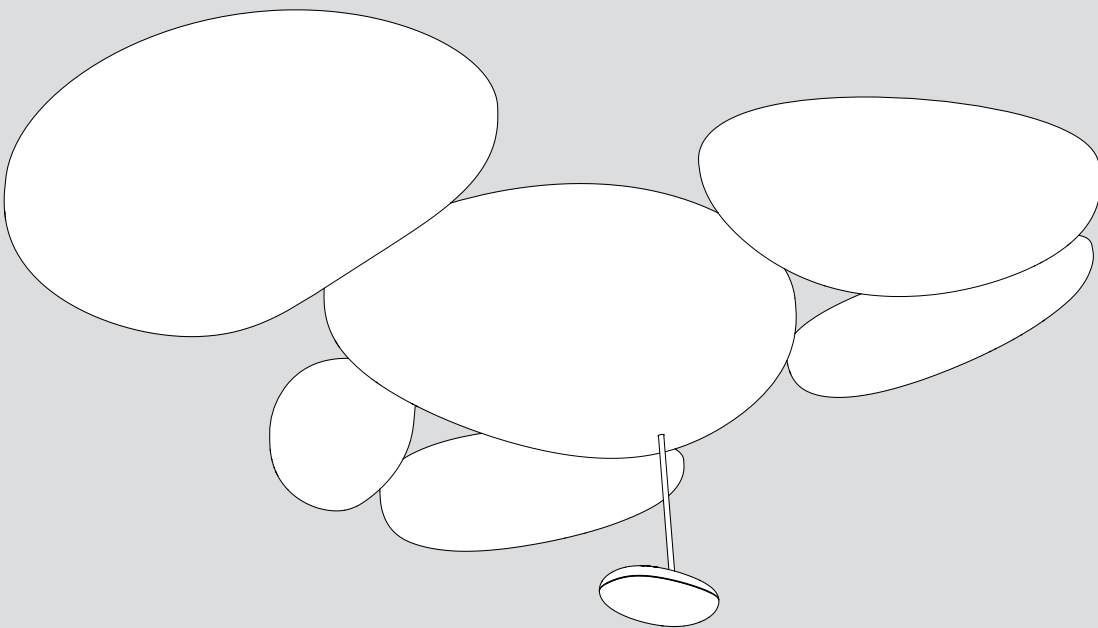


Artemide®

Skydro

design
R. Lovegrove

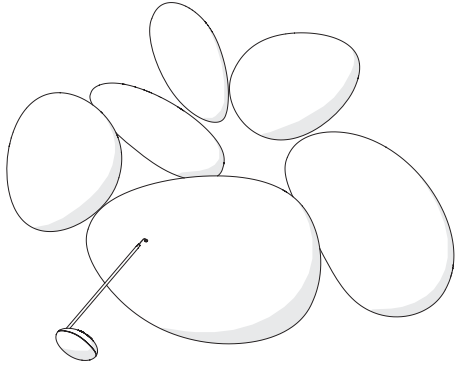
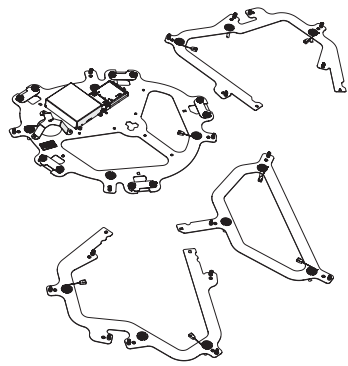
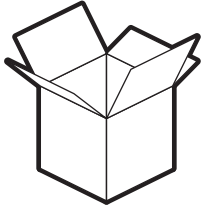


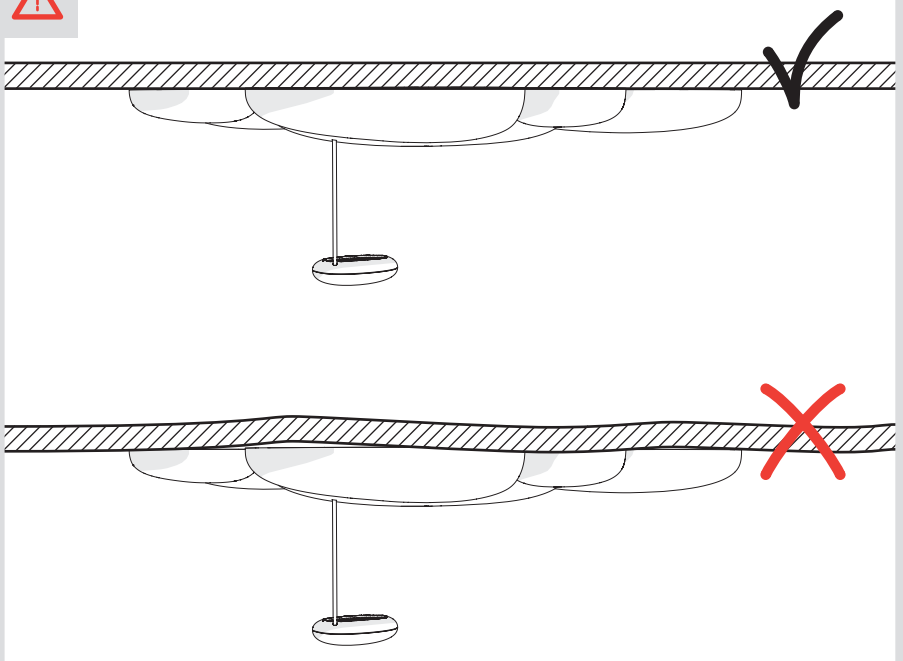
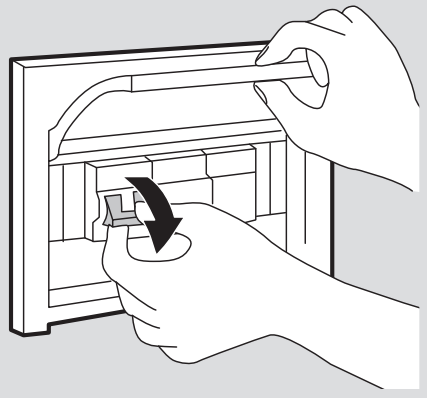
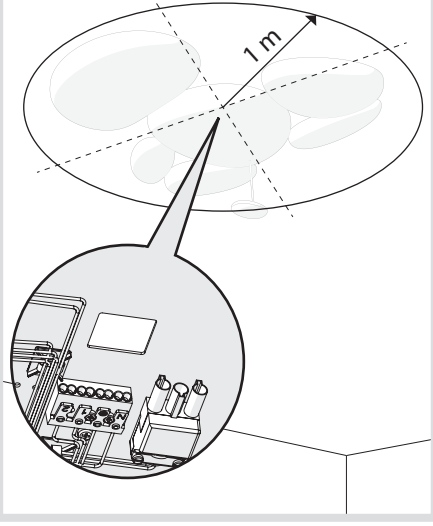


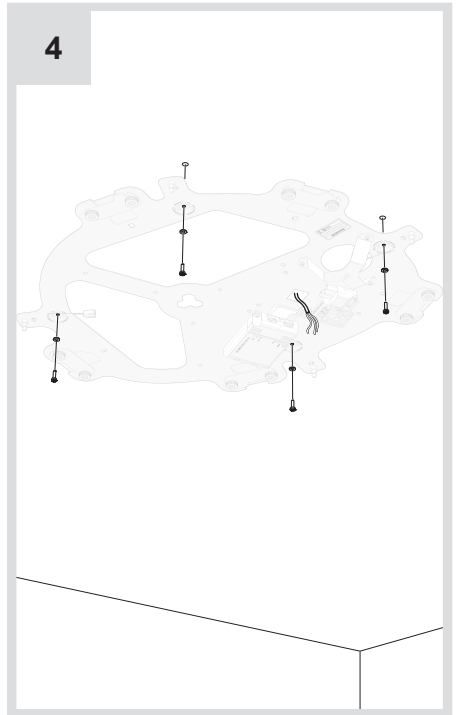
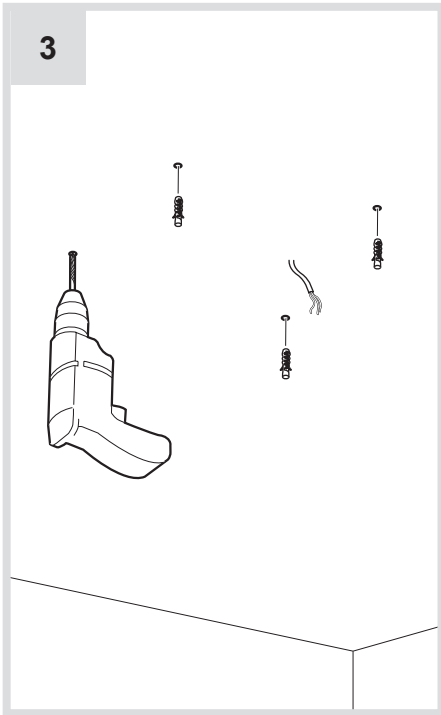
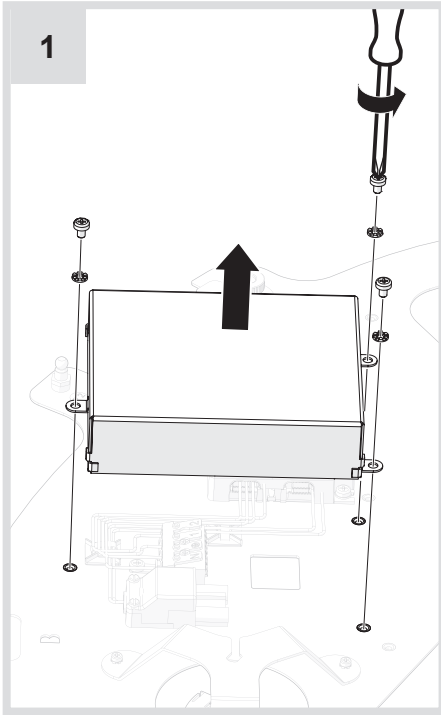
i



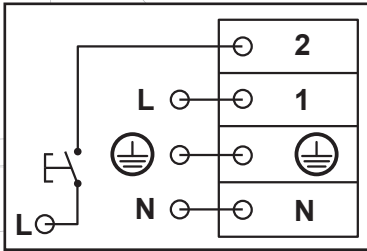
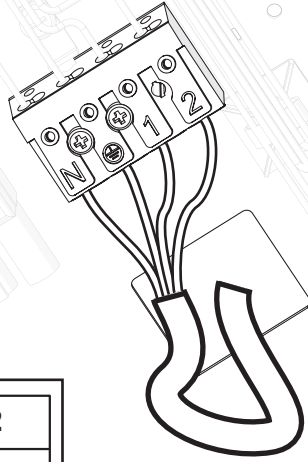
LED 1



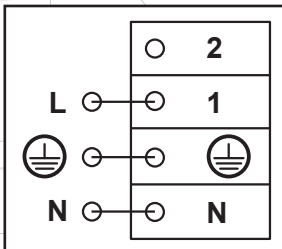
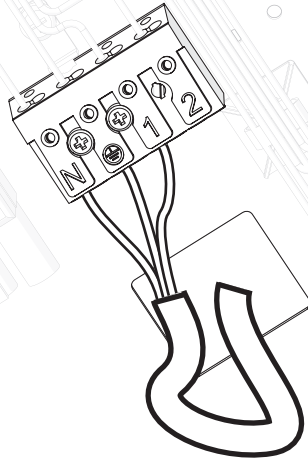




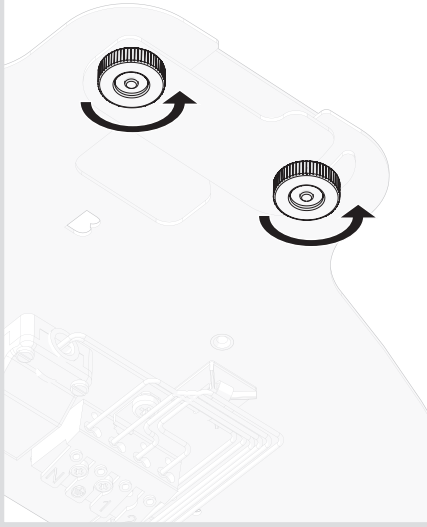
5a



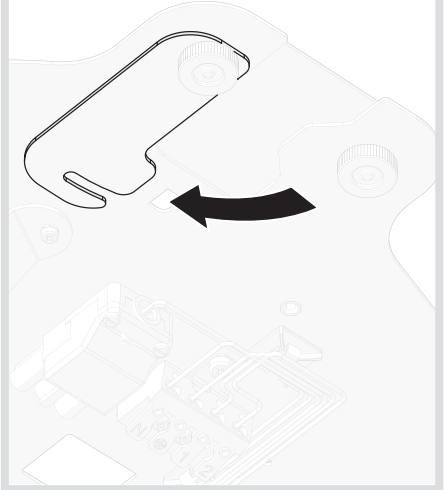
5b



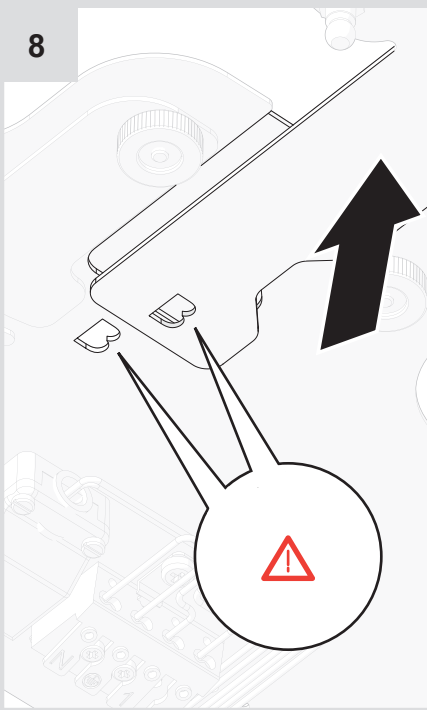
6



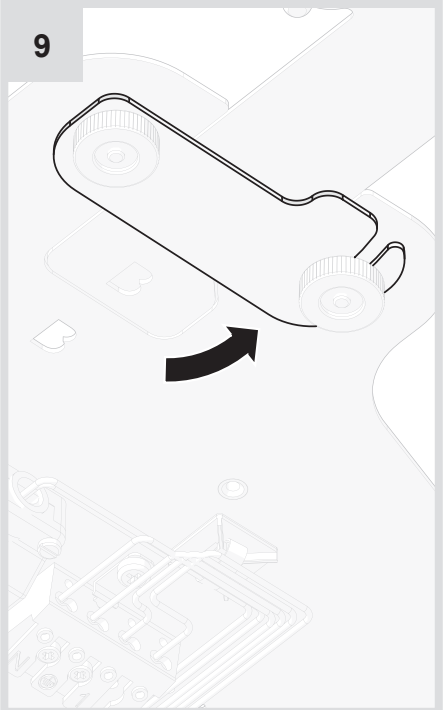
7



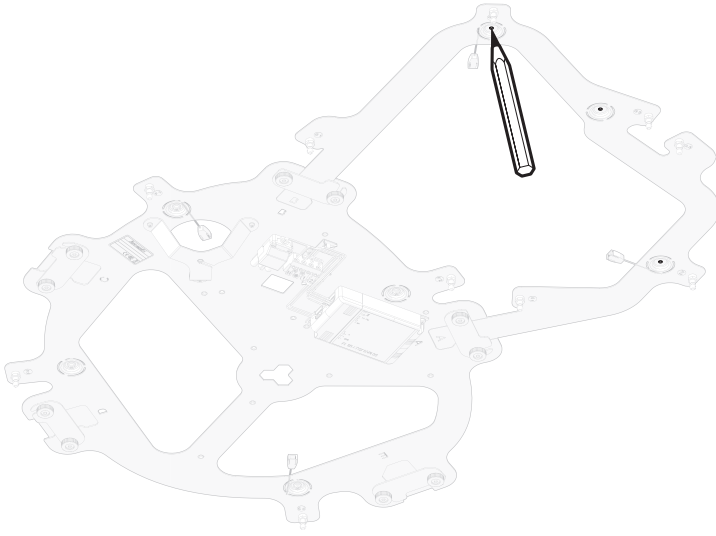
8



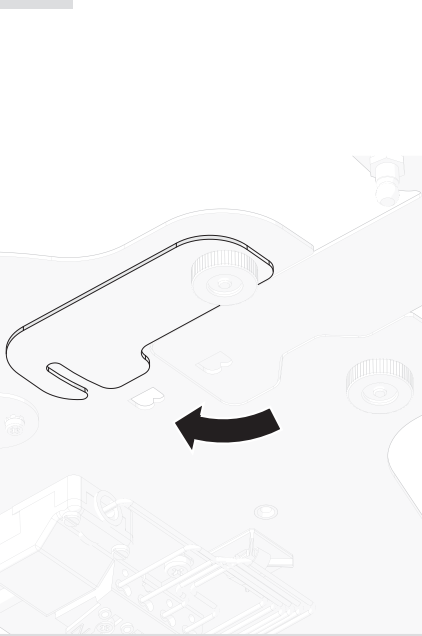
9



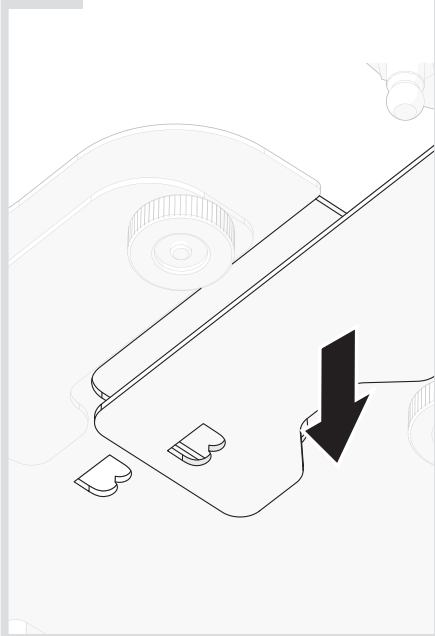
10



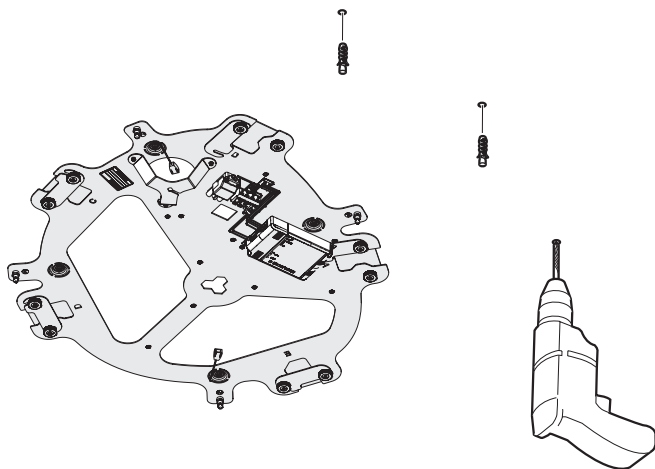
11



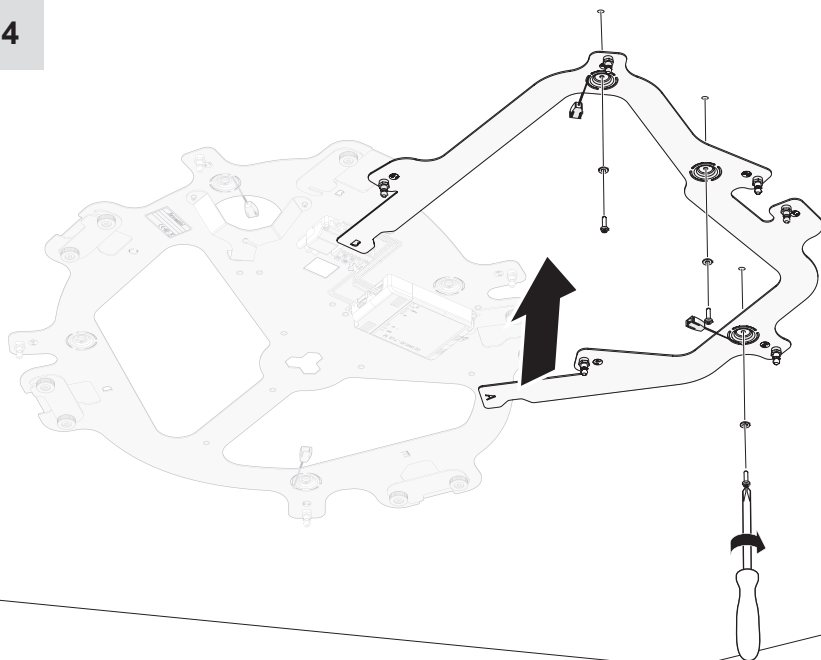
12



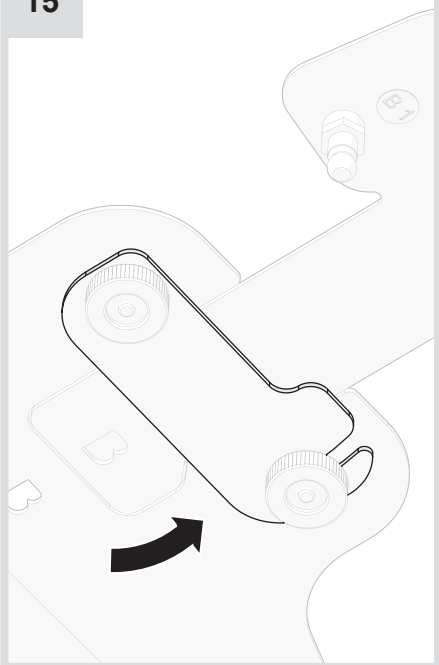
13



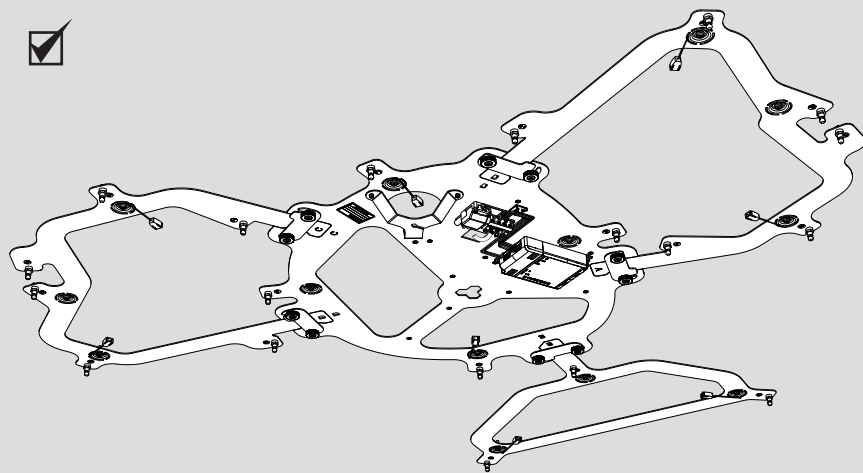
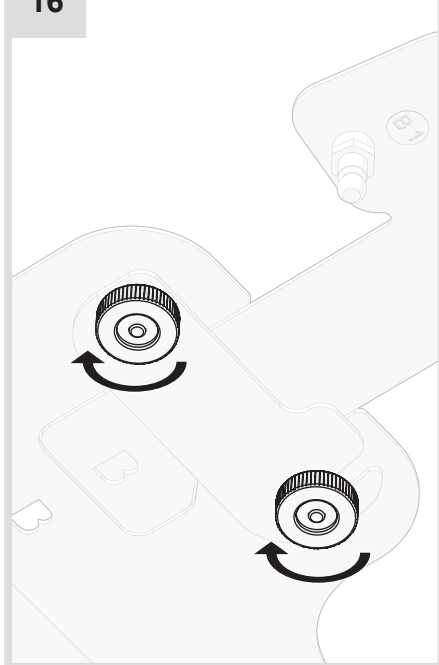
14



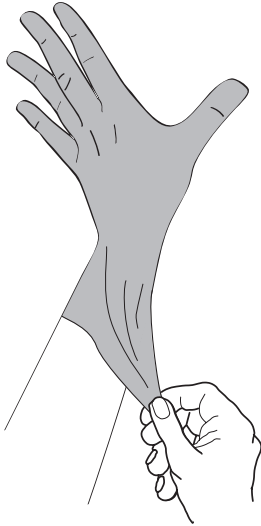
15



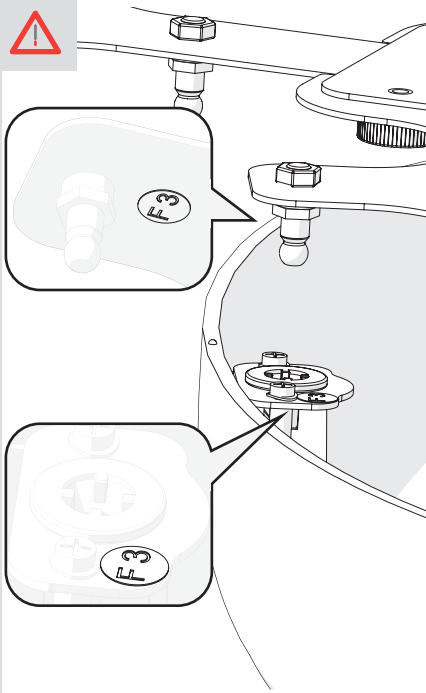
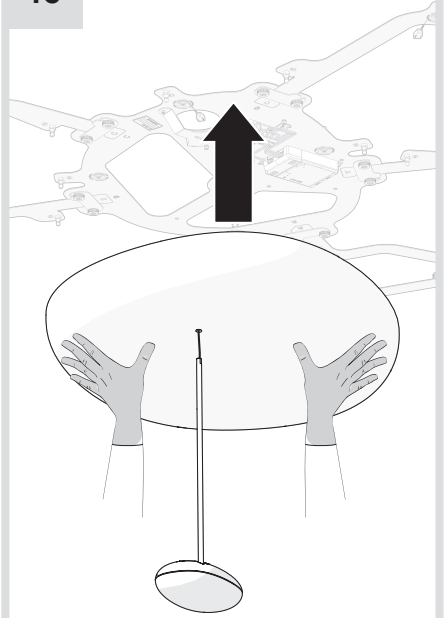
16



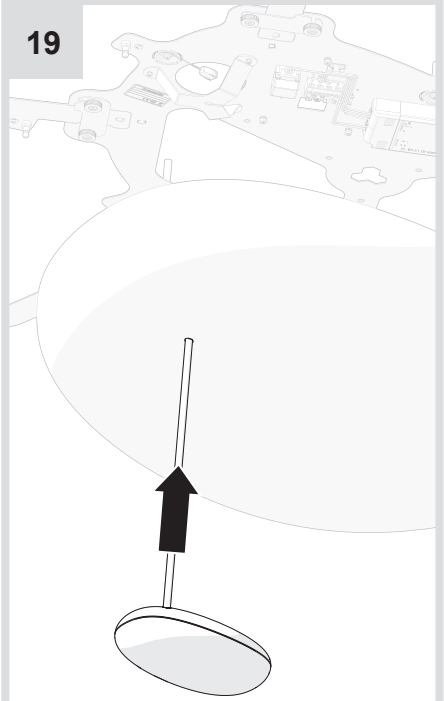
17



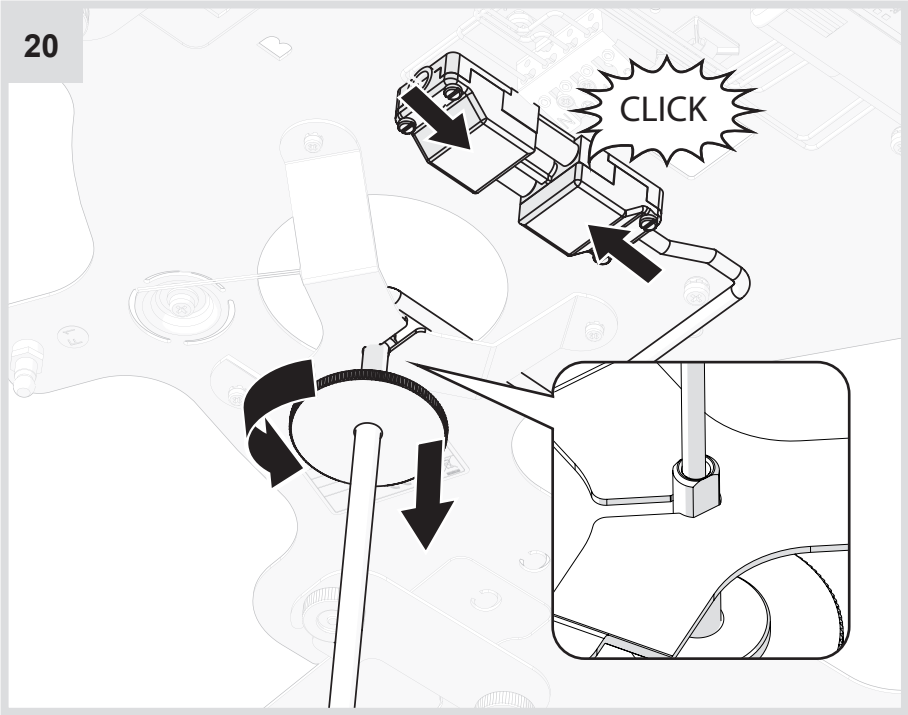
18



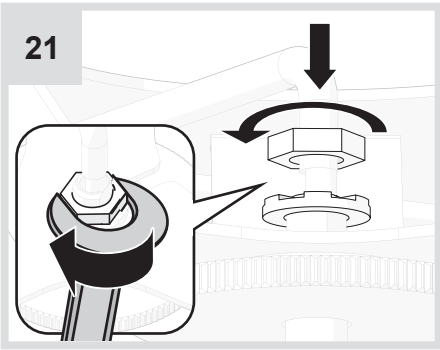
19



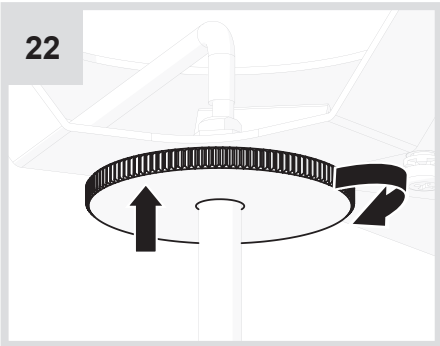
20



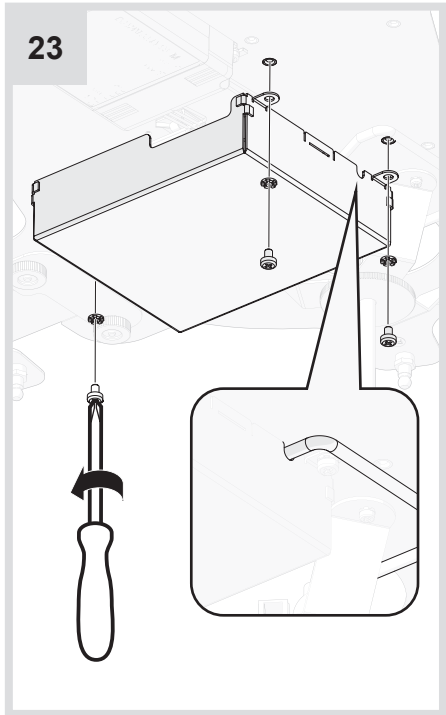
21



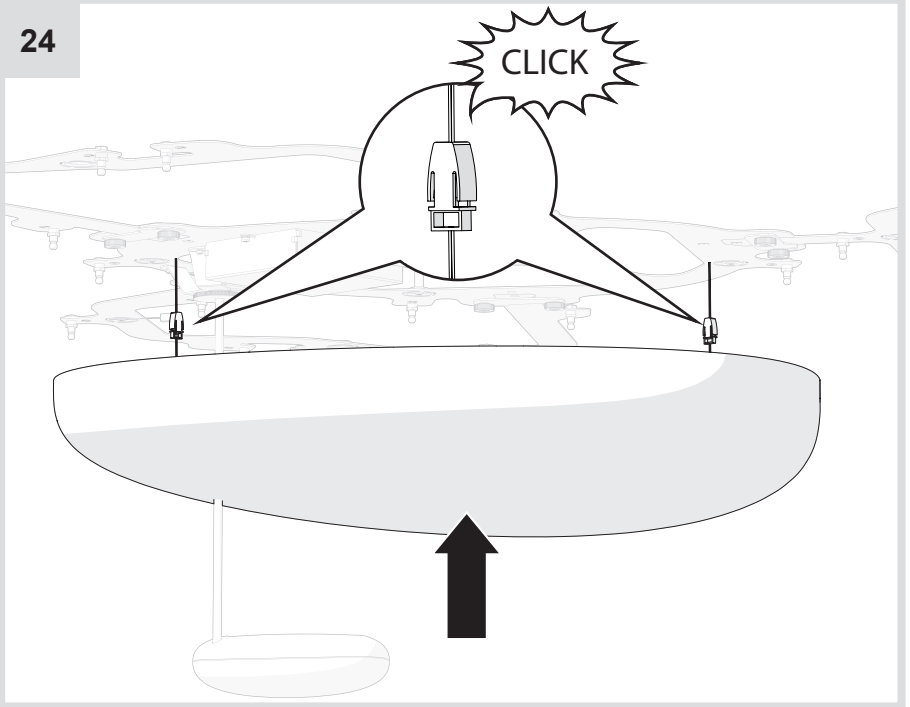
22



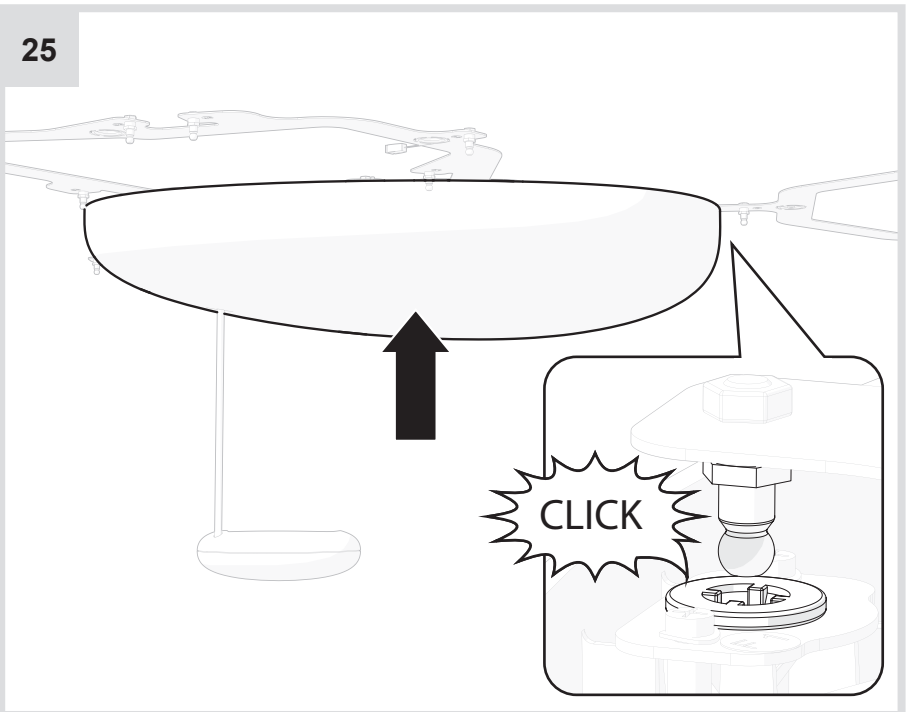
23

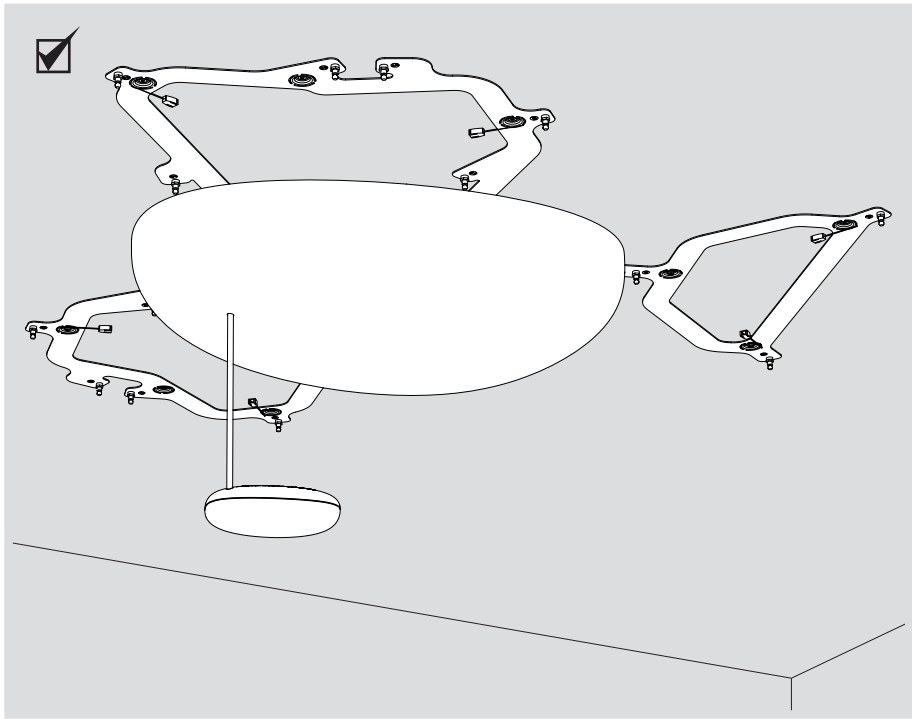


24

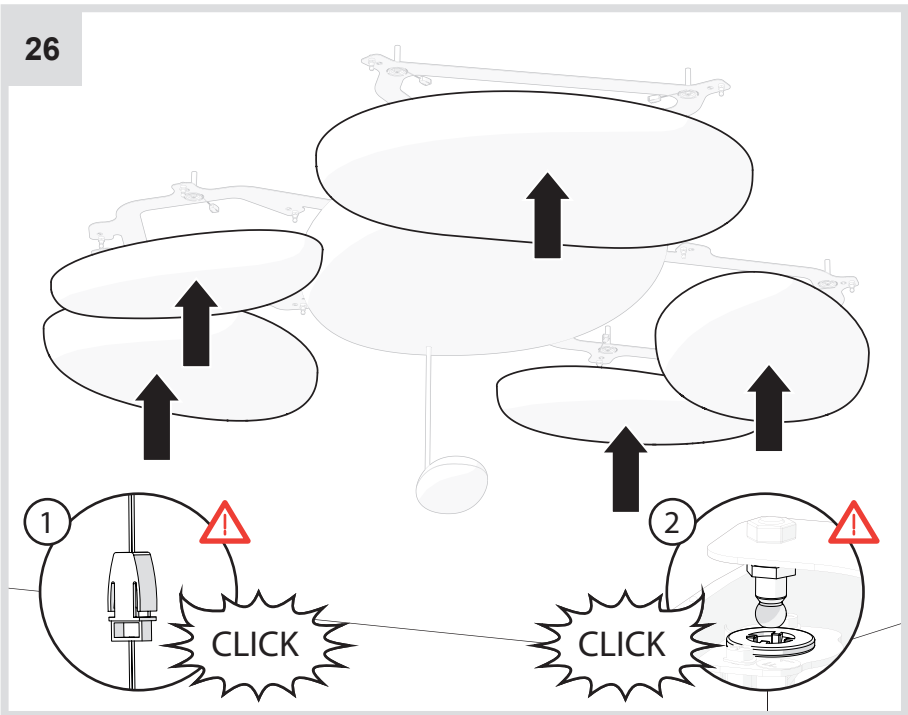


25

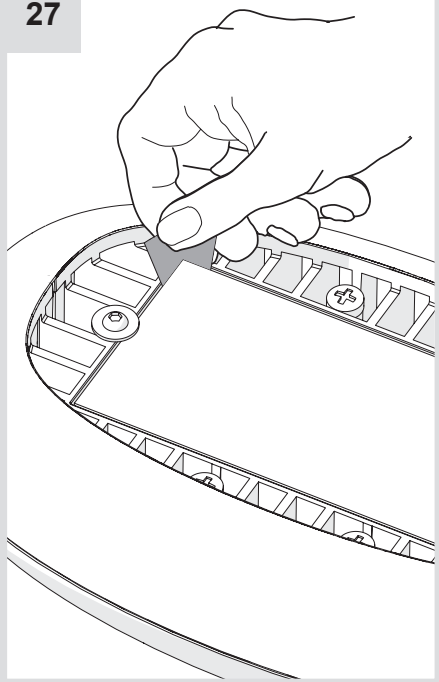




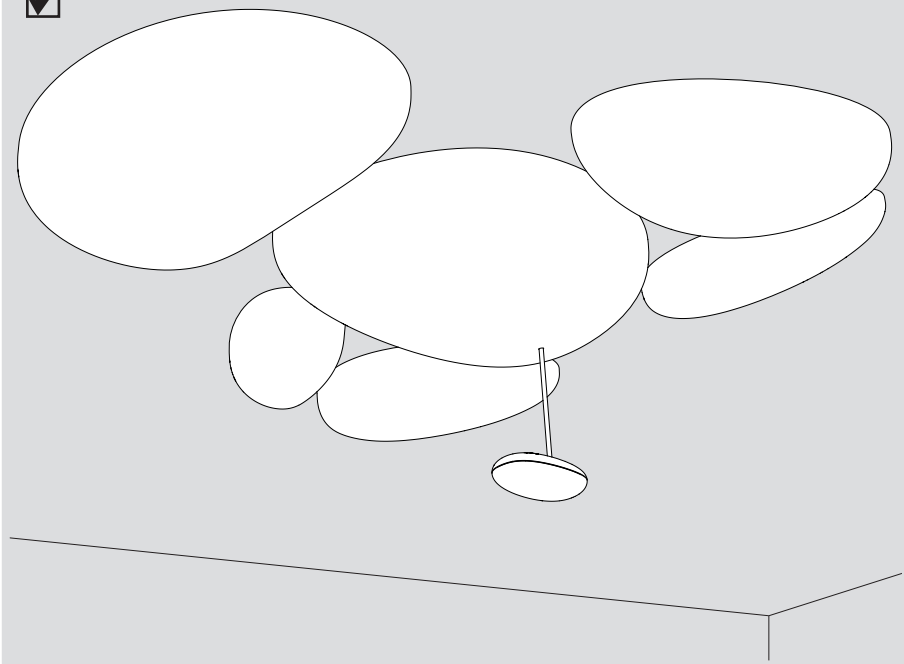
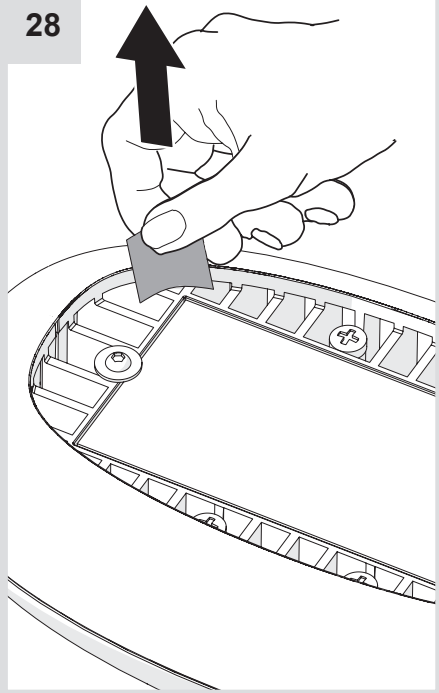
26

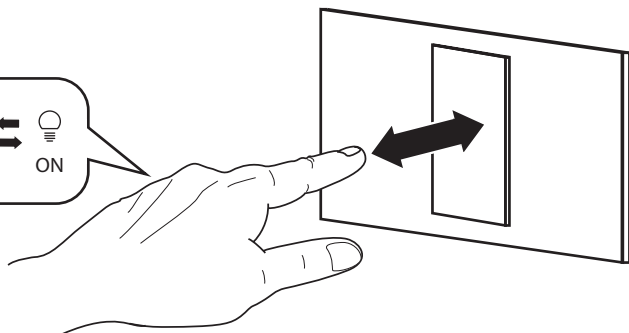
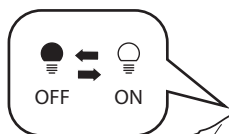
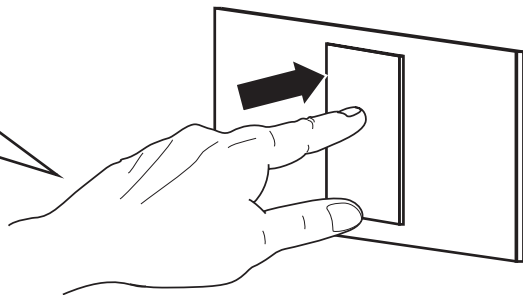
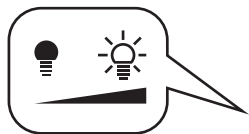


27



28

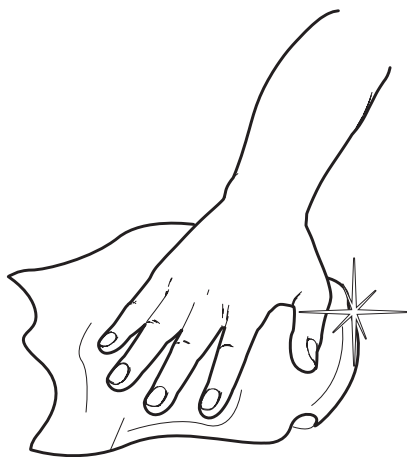




i



1



Artemide®



Artemide

via Bergamo, 18
20010 Pregnana M.se (MI)
ITALIA

tel. +39 02 935 181
fax +39 02 935 90 254
fax +39 02 935 90 496

www.artemide.com

VAT IT00846890150

cod. Y513000274