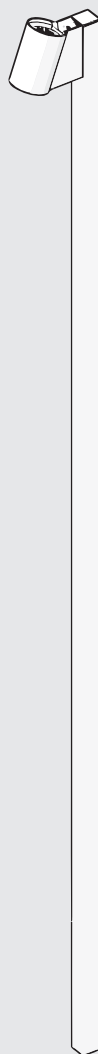
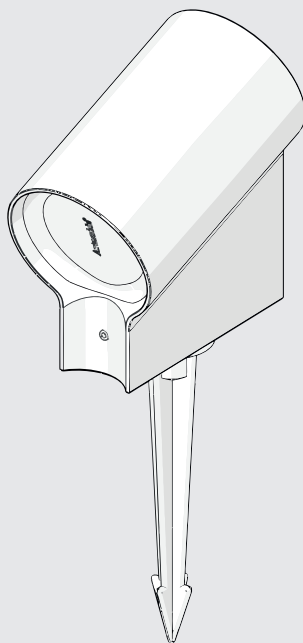
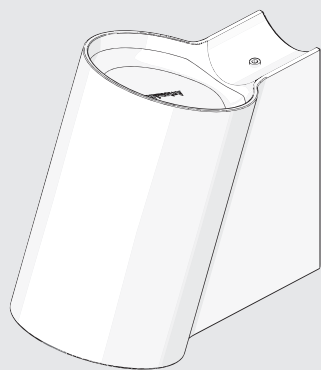


## Oblique

design  
E. Gismondi

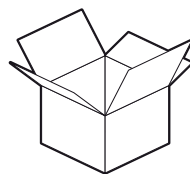
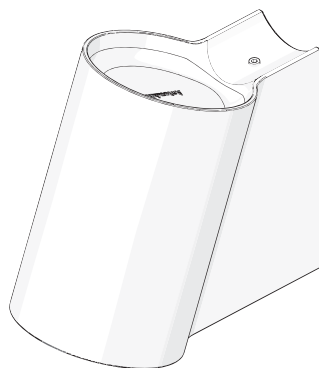


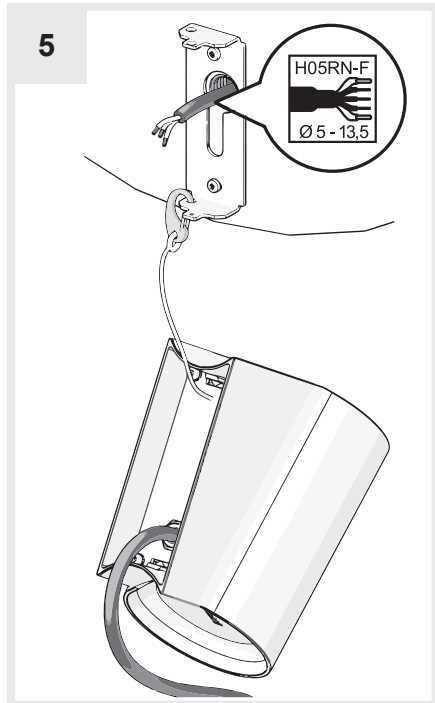
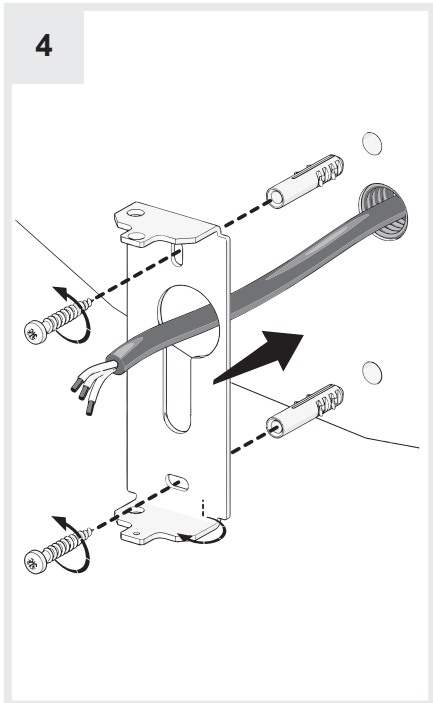
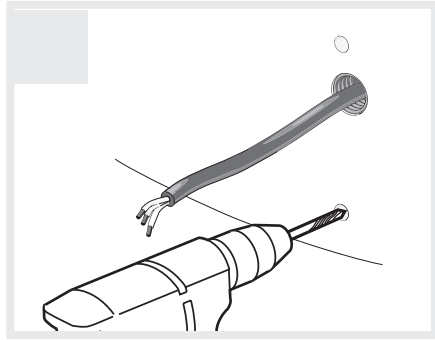
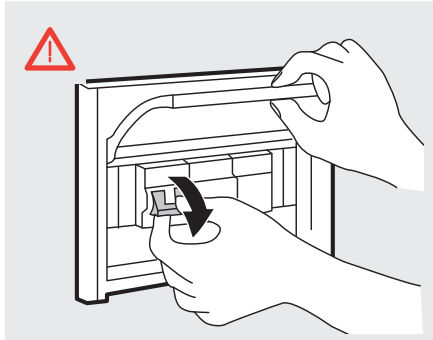
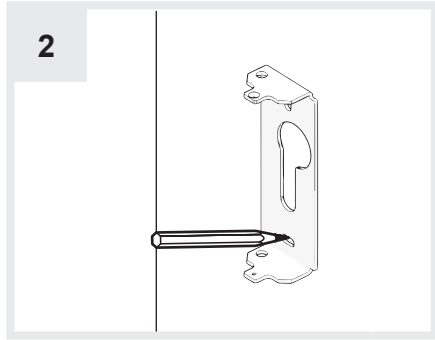
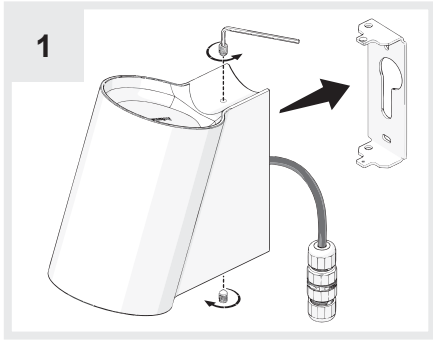


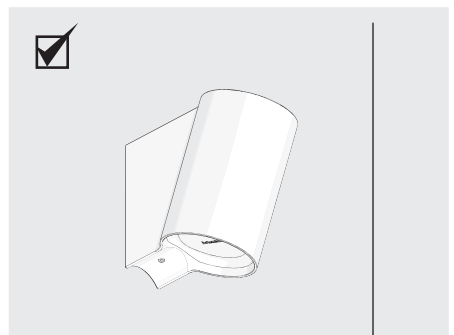
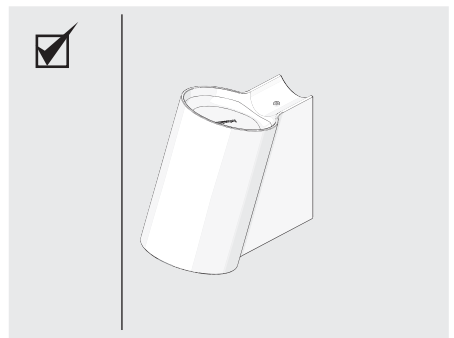
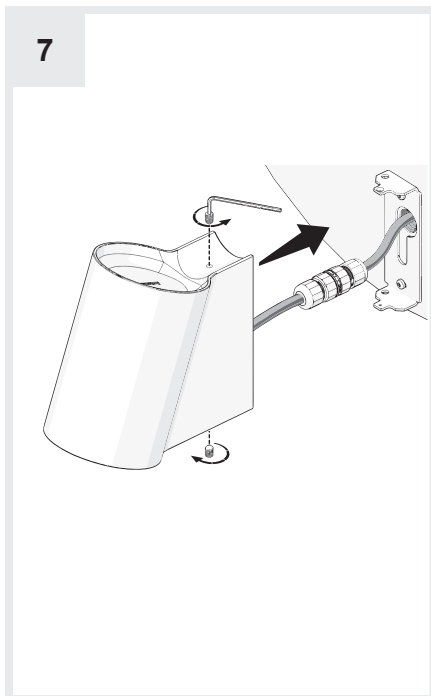
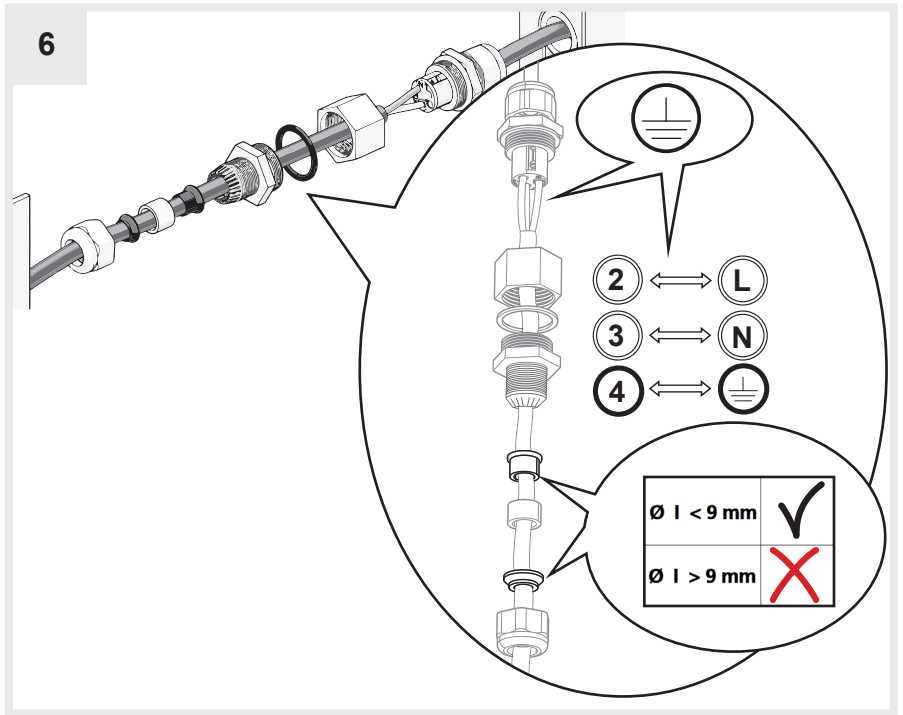
i



## Oblique parete

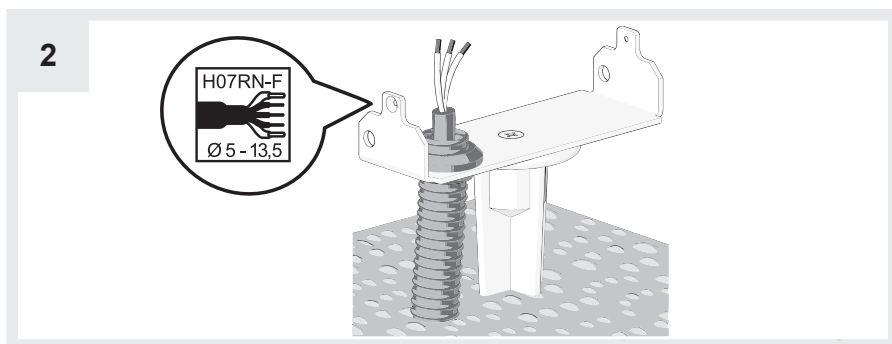
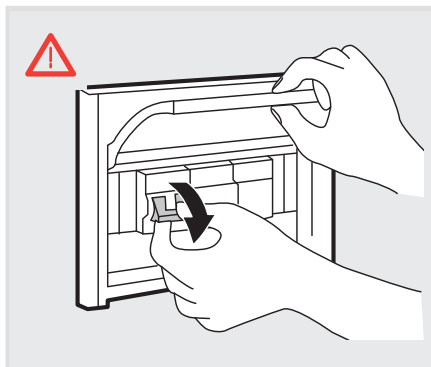
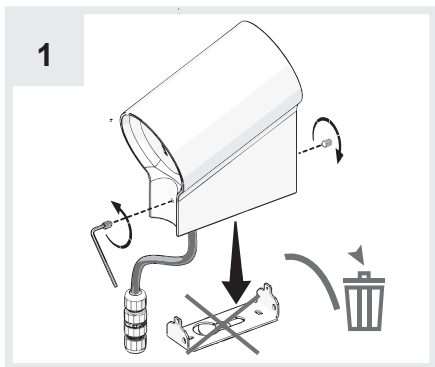
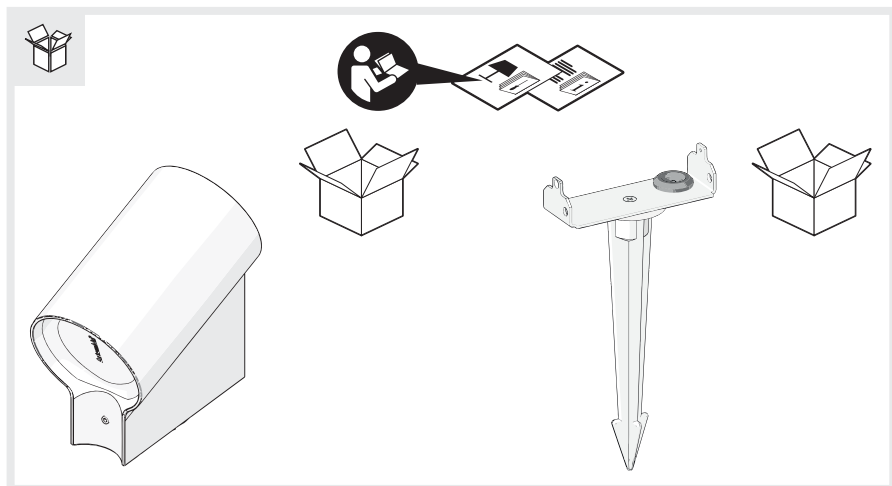


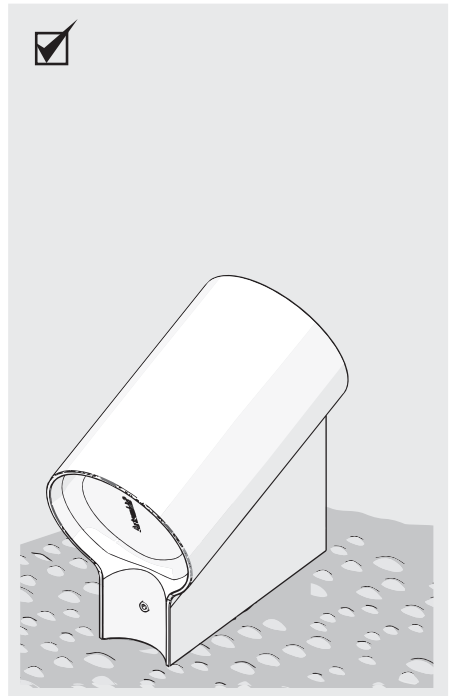
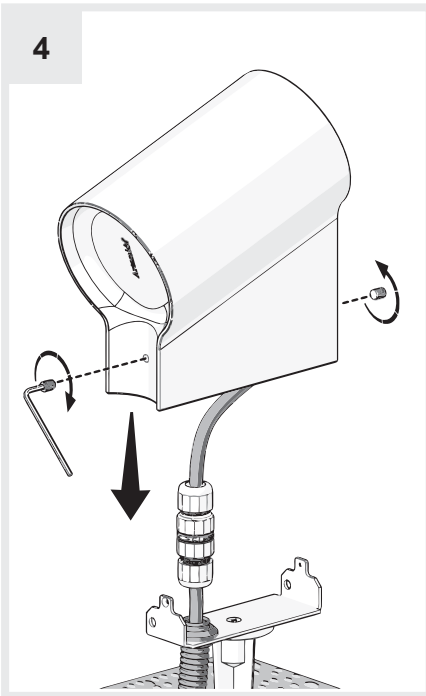
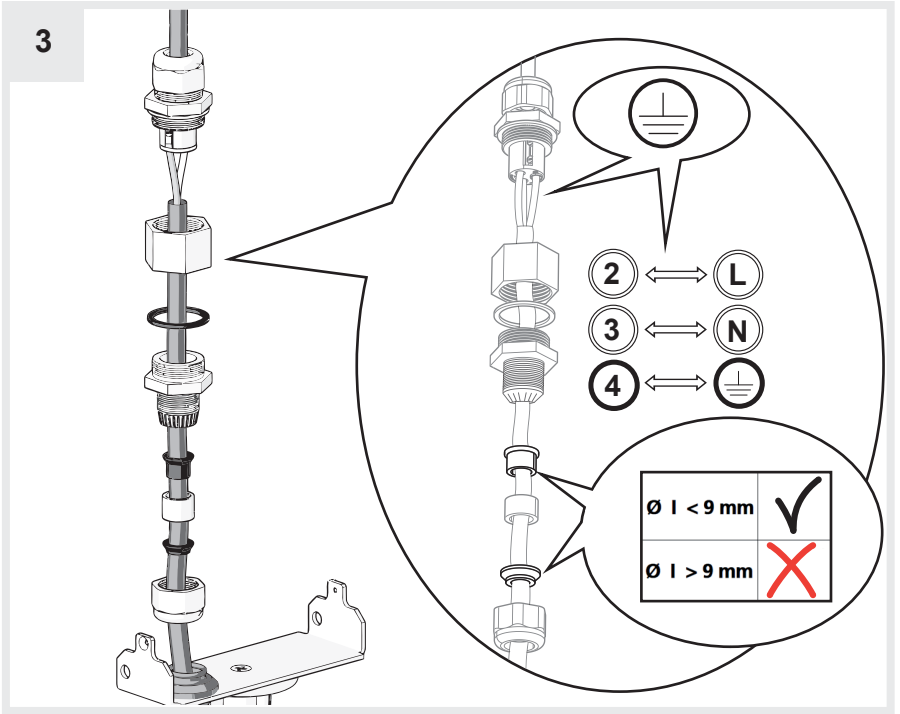






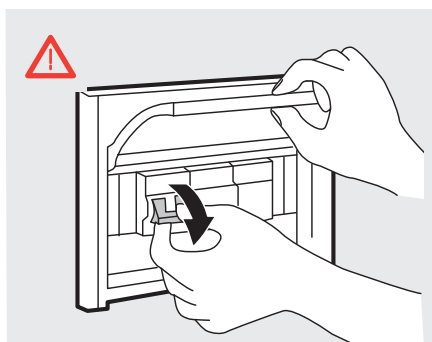
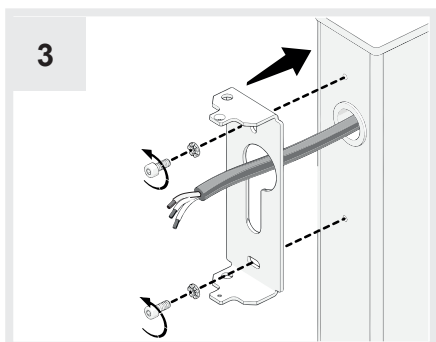
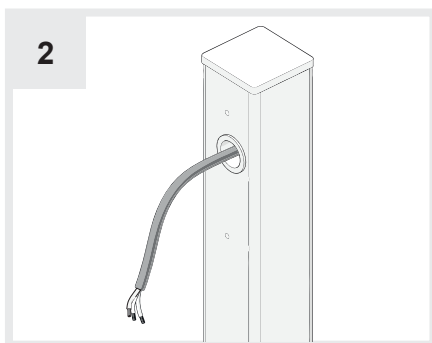
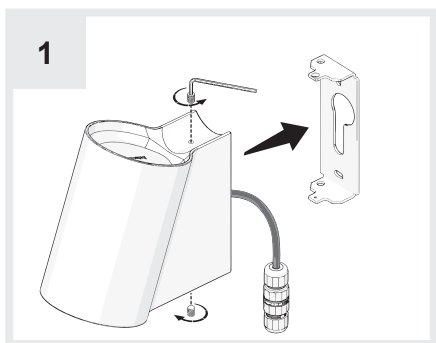
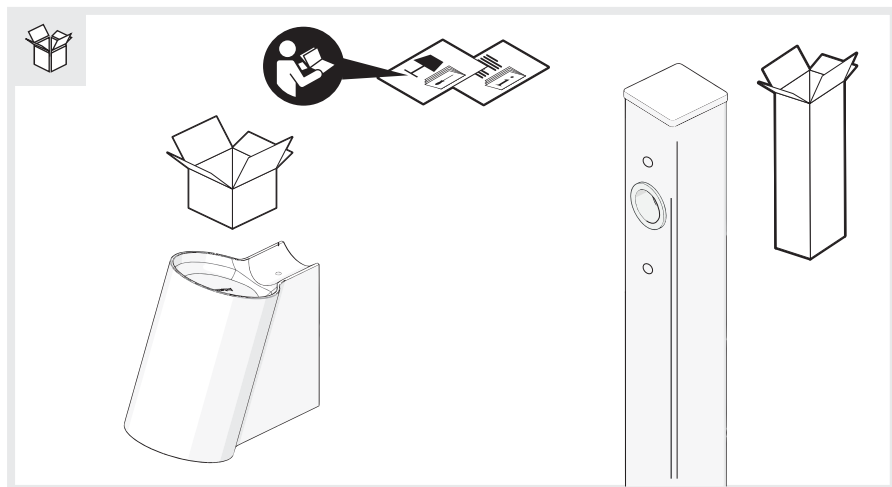
# Oblique picchetto



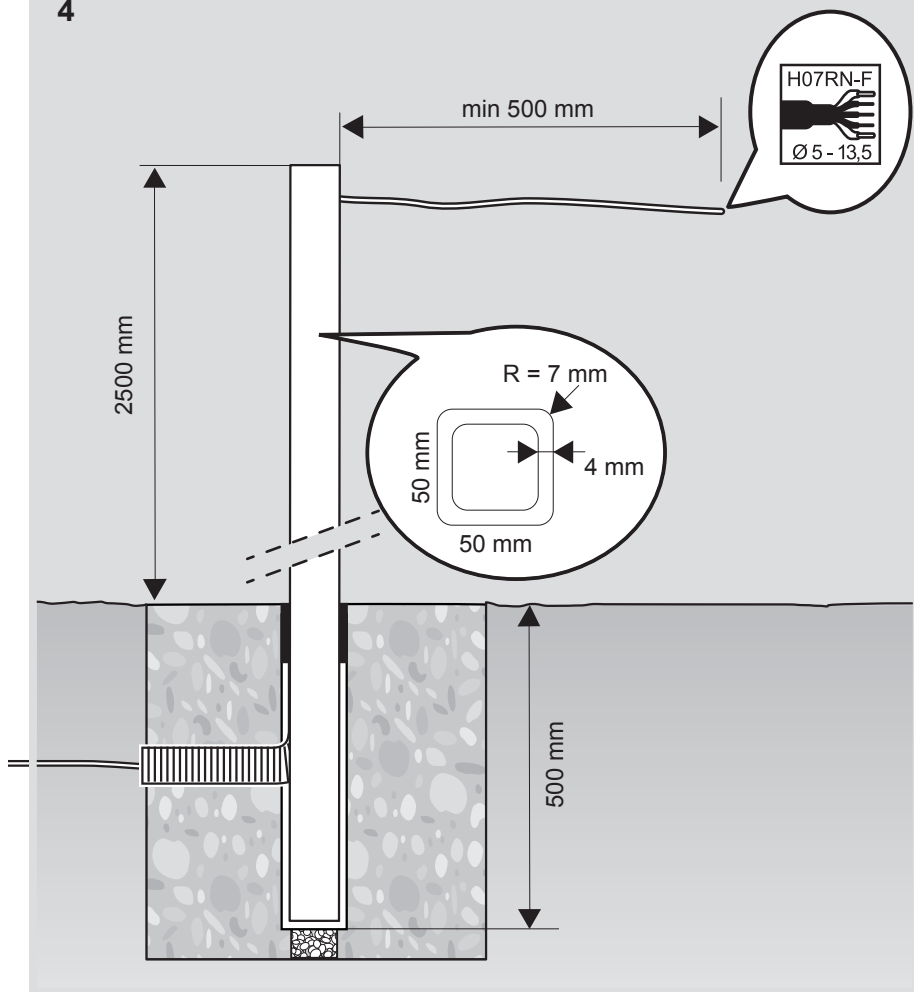




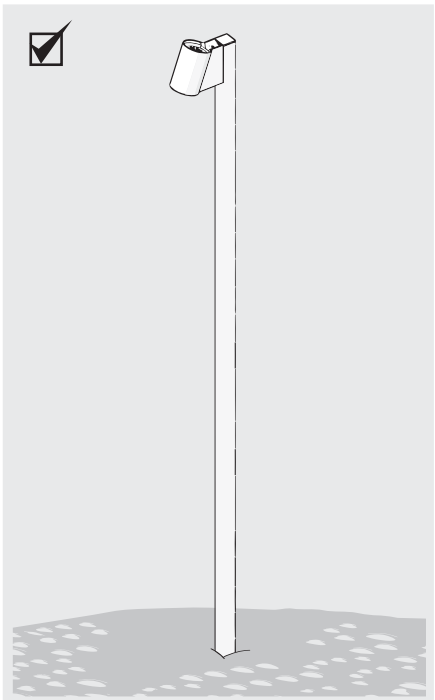
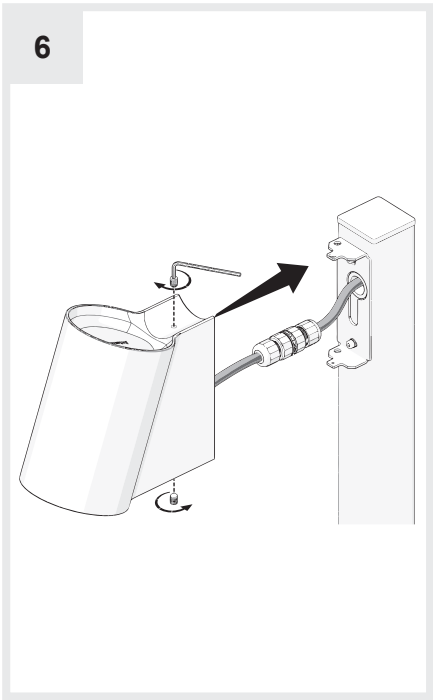
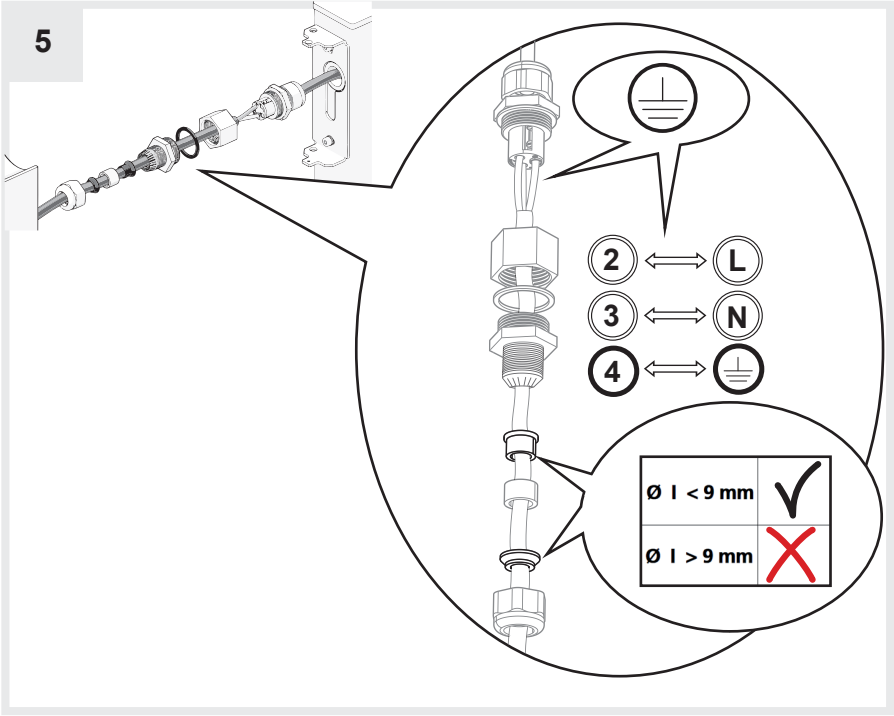
# Oblique palo

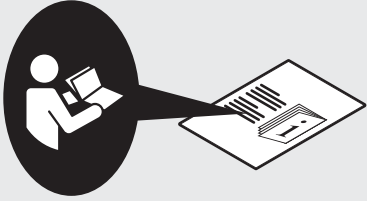


4













## **Artemide Spa**

via Bergamo, 18  
20010 Pregnana M.se (MI)  
ITALIA

Tel. +39 02 935 181  
Fax +39 02 935 90 254  
Fax +39 02 935 90 496

[www.artemide.com](http://www.artemide.com)

VAT IT00846890150

cod. Y513000474A