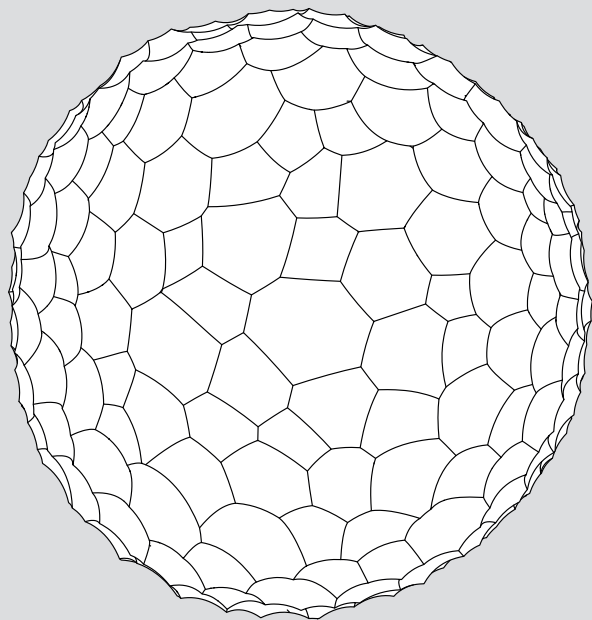


Artemide®

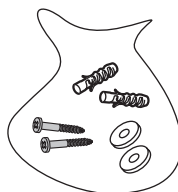
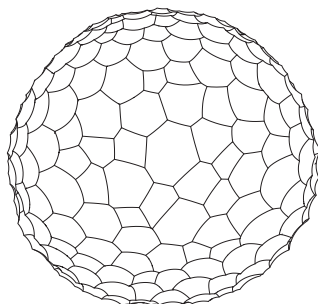
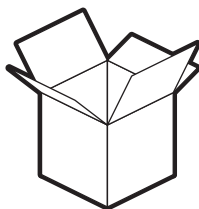
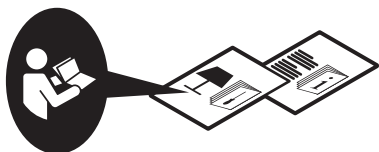
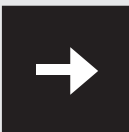
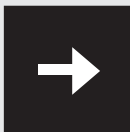
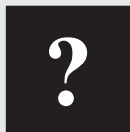
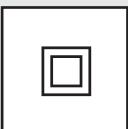
Meteorite 15

design
Pio & Tito Toso

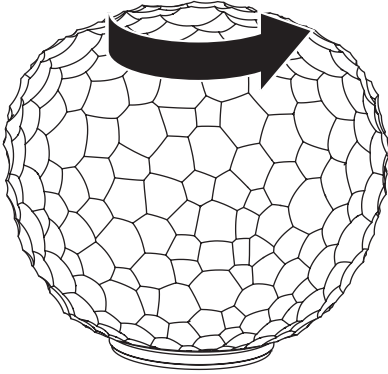




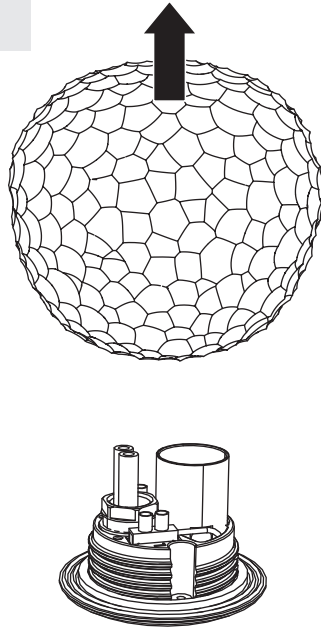
i



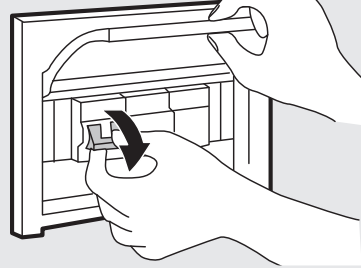
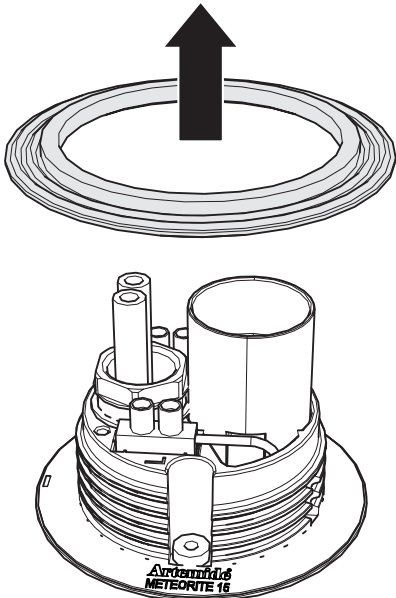
1



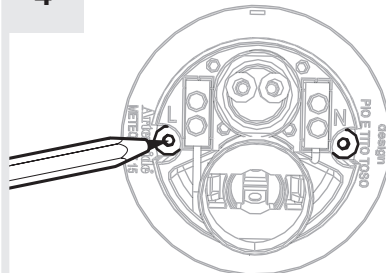
2



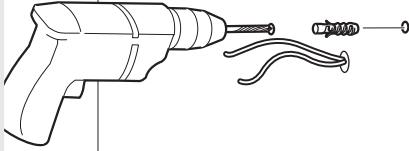
3



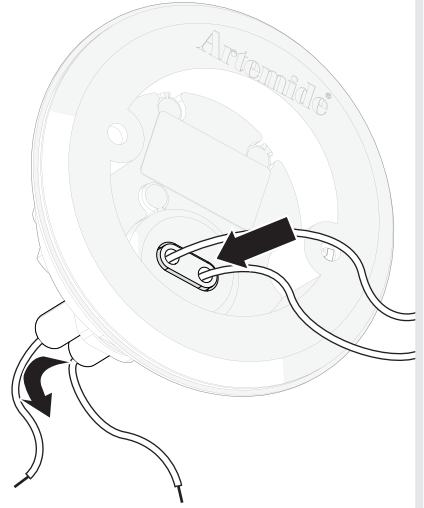
4



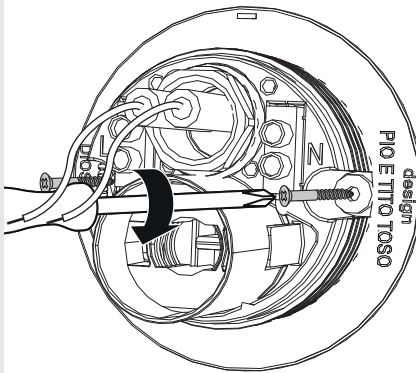
5



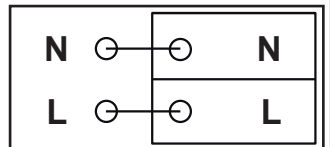
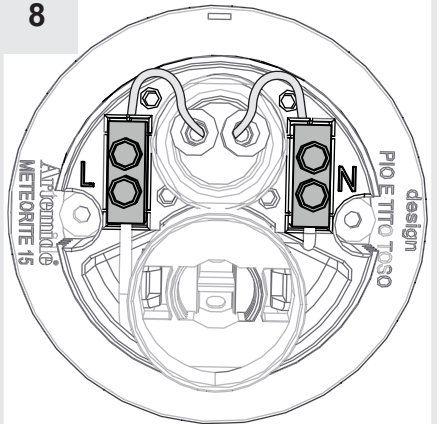
6



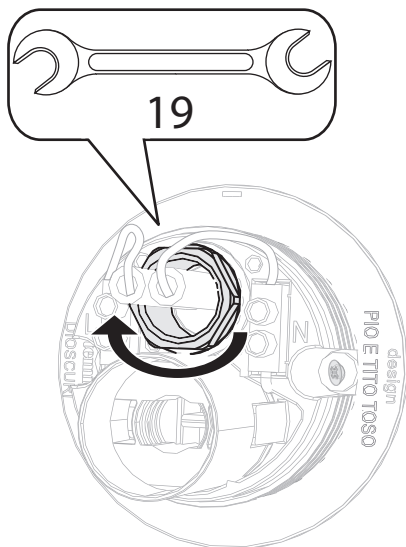
7



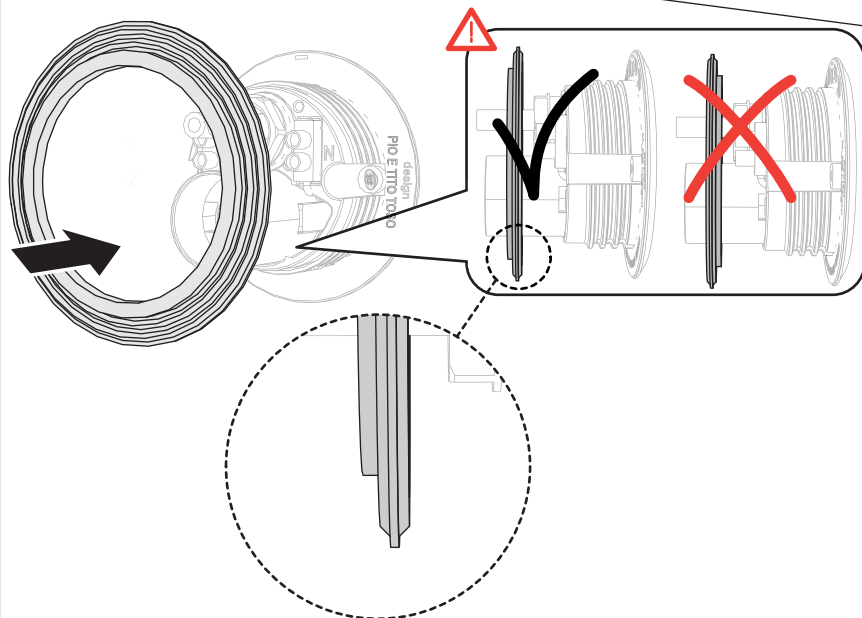
8



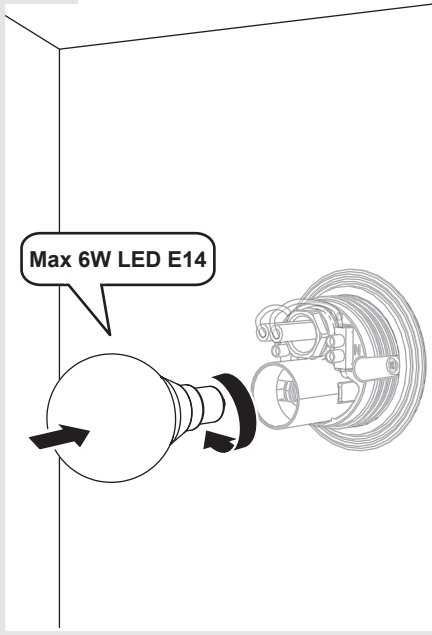
9



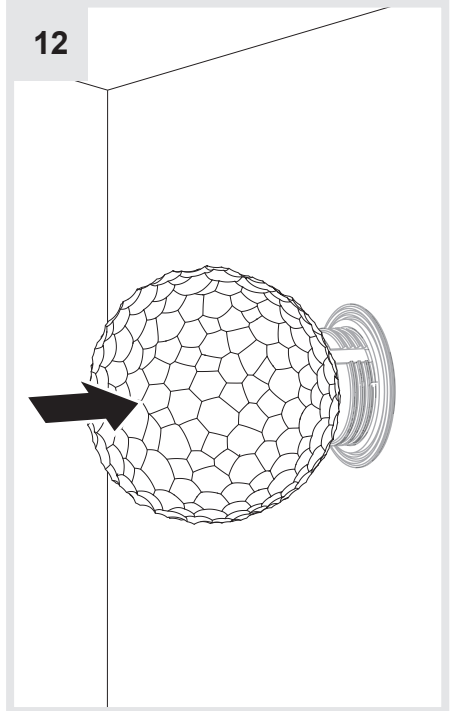
10



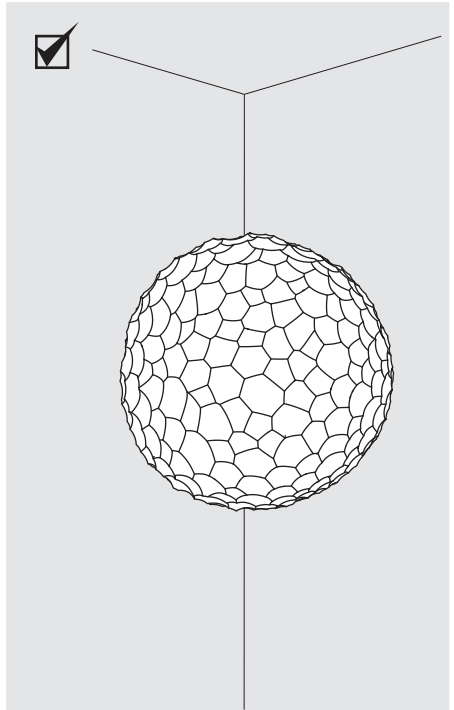
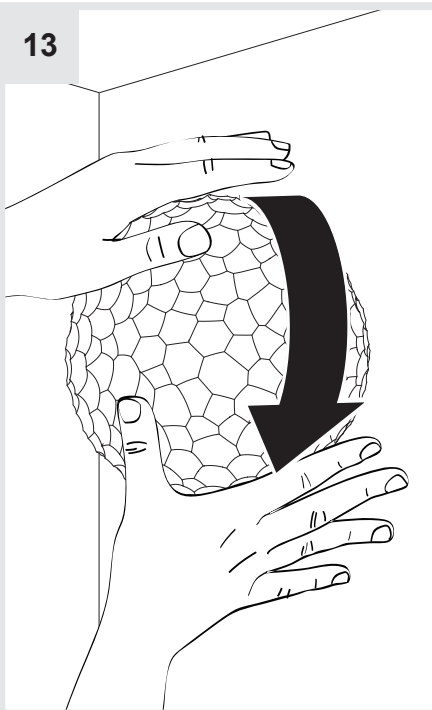
11



12



13



i



1

2

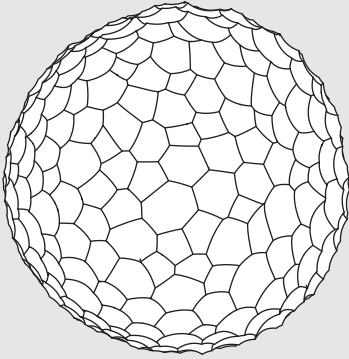
3

10

13

12

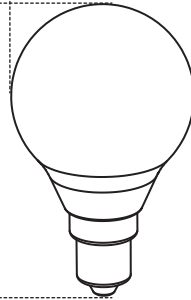
11



MAX 6W LED E14

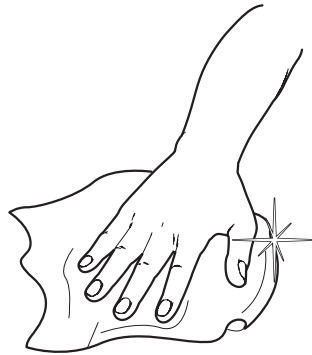
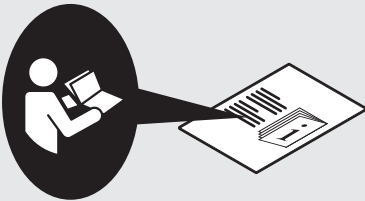
Max 50 mm

Max 80 mm



i

1



Artemide®



Artemide

via Bergamo, 18
20010 Pregnana M.se (MI)
ITALIA

tel. +39 02 935 181
fax +39 02 935 90 254
fax +39 02 935 90 496

www.artemide.com

VAT IT00846890150

cod. Y513000927A