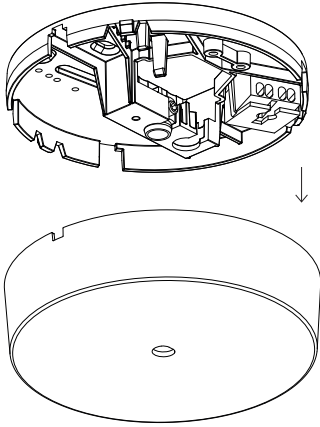
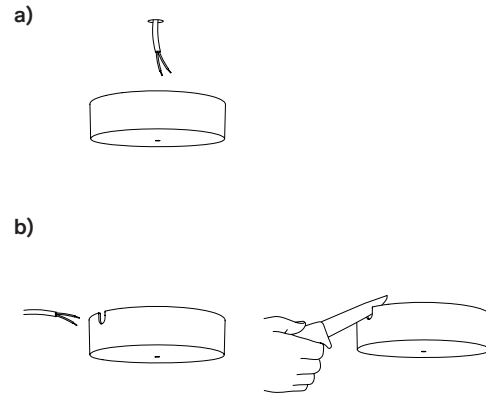


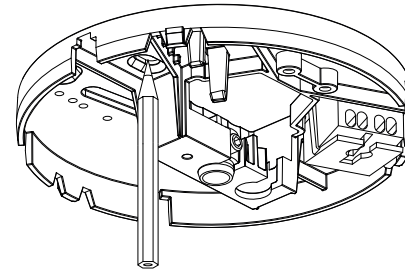
1.



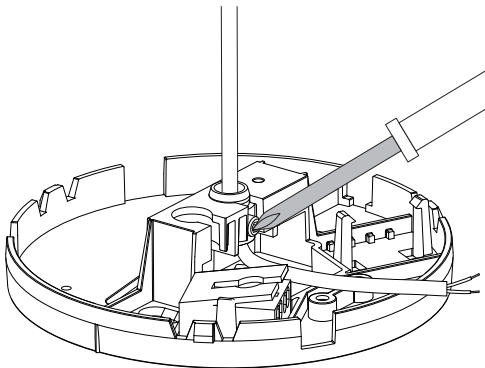
2.



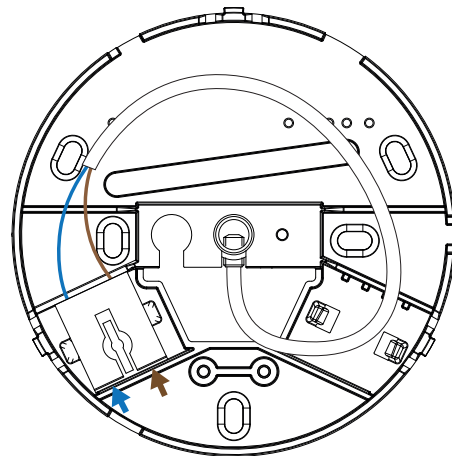
3.



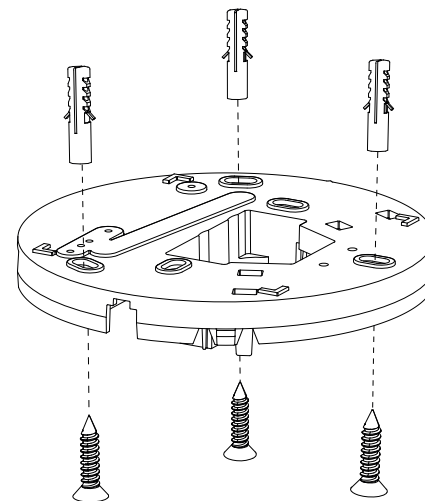
4.



5.



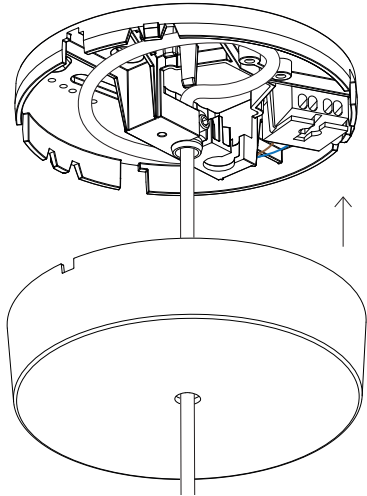
6.



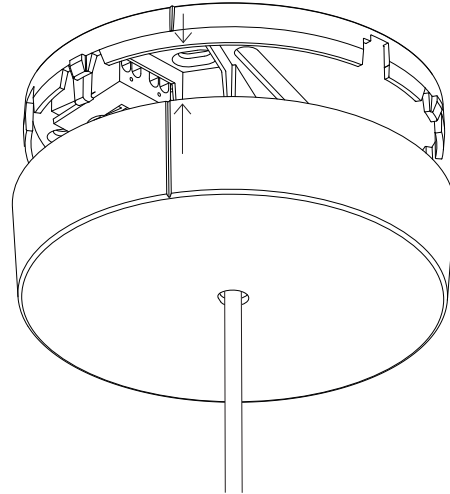
Mounting instructions

1. Remove the cover from the ceiling base by squeezing and pulling it apart.
2. To insert the power cable there are two options
a) from above through the cutout.
b) from the side - cut the cover on the mark.
3. Mark the hole position on the ceiling.
4. Insert the cable through the cover into the strain relief, cut the cable to your required length and tighten the strain relief with screws.
5. Connect the wires to the clamp.
6. Mount the base to the ceiling.
(fastening elements are not included)

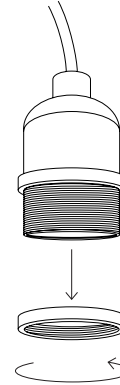
7.



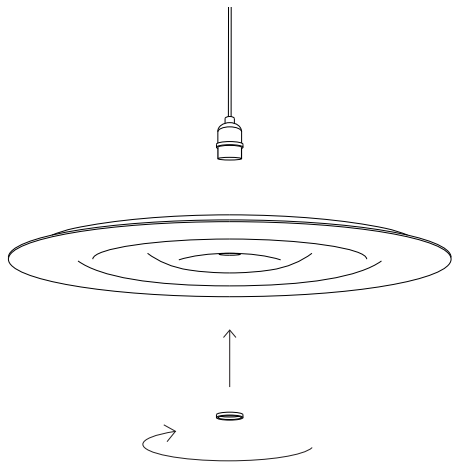
8.



9.




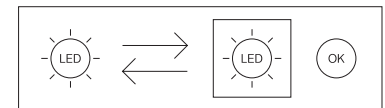
10.



Mounting instructions

7. Mount the cover back to the ceiling base by clipping it in.
8. Make sure to align the indicator line on the cover and ceiling base.
9. Unscrew the ring from the lamp socket.
10. Put the shade on the socket and fix the ring again.

 For indoor use only.



This product contains a light source of energy efficiency class F.