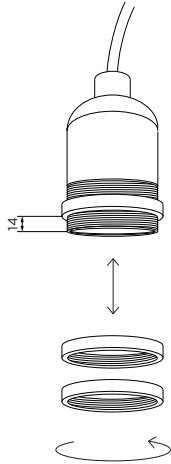
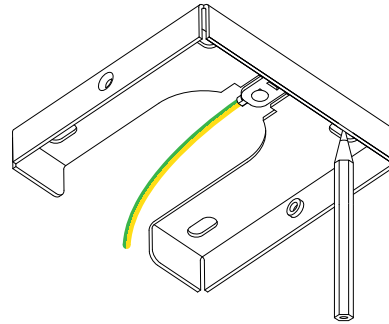


w171 Alma c/w & w Instruction

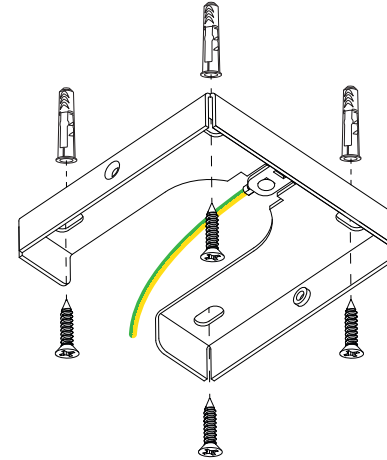
1.



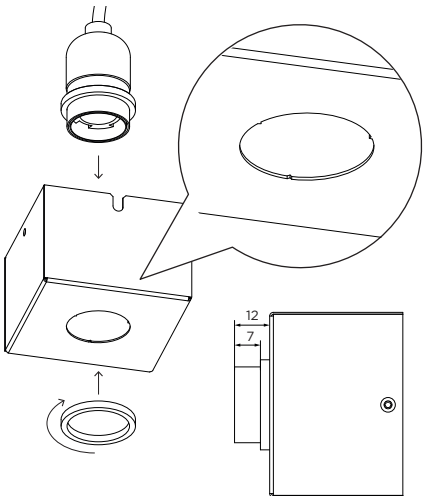
2.



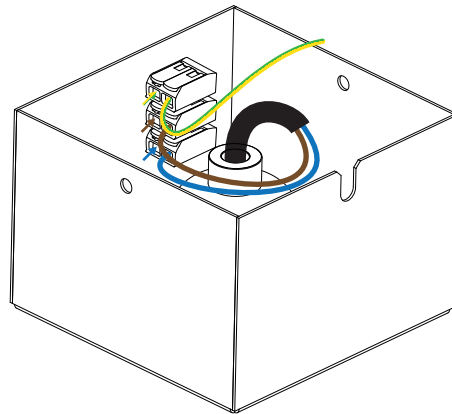
3.



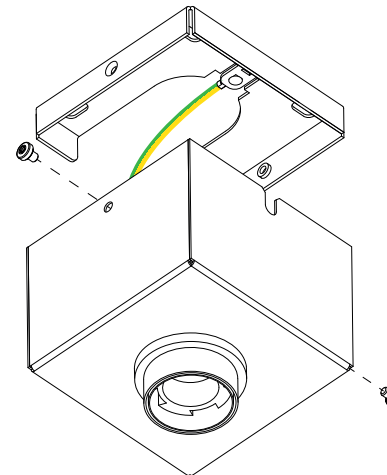
4.



5.



6.

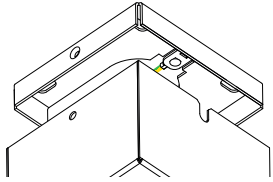


Mounting instructions

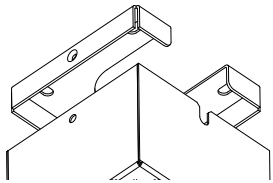
1. Unscrew and remove the first two rings from the lamp holder and be sure the third one is turned back approximately 14mm to the front end.
2. Mark the hole position on the ceiling/wall.
3. Mount the plate on the ceiling/wall. (fastening elements are not included)
4. Push the lampholder through the hole and take one of the rings to screw the lampholder on the mounting bracket. Make sure the it doesn't stick out more then 12mm so the grounding marks are not visible.
5. Connect the wires to the clamps.
6. Attach the bracket on the mounting plate with screws.

7.

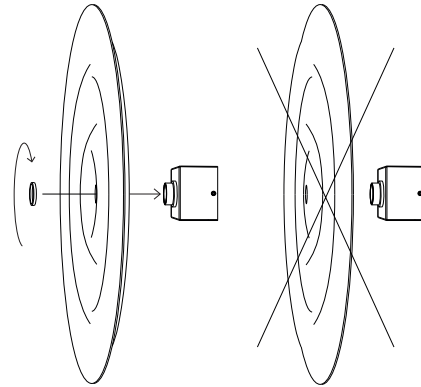
ceiling/wall



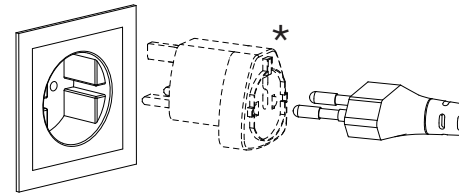
wall



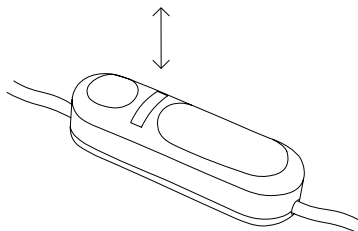
8.



9. only for wall variant



10.



5.

6.

Mounting instructions

7.

Make sure to mount the bracket in the correct direction.

For ceiling/wall the openings should be on the opposite sides. It has to be ensured by the installing electrician that the connection enclosure has no opening on the side to the electrical wiring inside.

For wall variant turn it to have both openings aligned.

8.

Mount the shade to the lamp holder by screwing on the last ring.

Pay attention to mount it the correct way.

only for wall variant:

9.

Connect the power cable to the Socket.

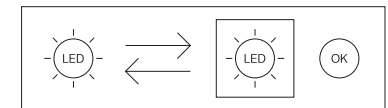
*Optional: put an adapter in between the plug and socket, for international use.

10.

Push the switch once to turn the light on/off. Hold the switch to dim the light.

For indoor use only.

The power cord must always be kept out of the reach of children.



This product contains a light source of energy efficiency class F.