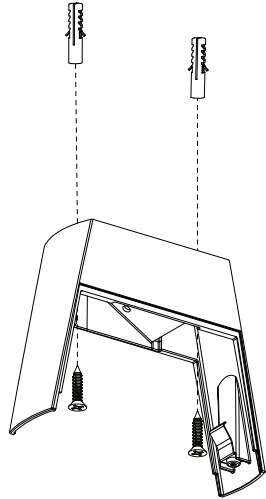
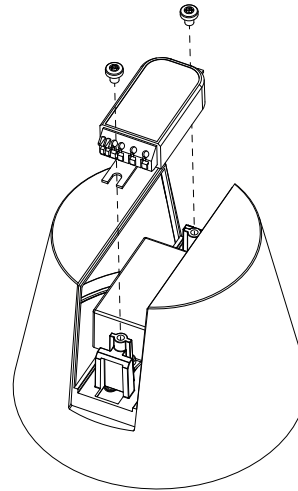


1. Ceiling



2. optional casambi



Mounting instructions

Ceiling

1.
Mount the bracket to the ceiling
(fastening elements are not included).

2. optional casambi
Screw the casambi module to the luminaire body.

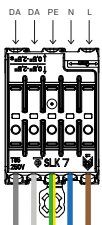
3.
Connect the wires to the terminal.

For casambi connection cables are not included.
Recommendations:
AWG 16-24 (0,2-1,5mm²)
Length = 135mm
Unisolated lenght = 8,5-9,5mm

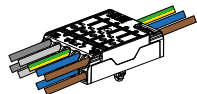
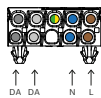
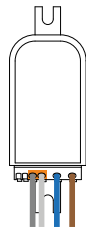
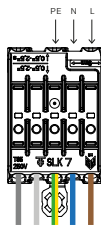
4.
Clip the terminal block and the luminaire body into the bracket.

3.

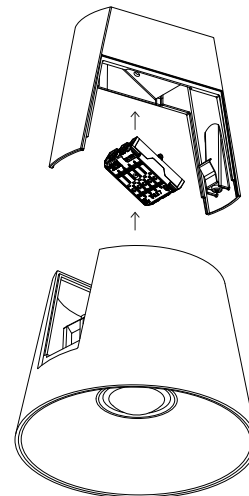
DALI



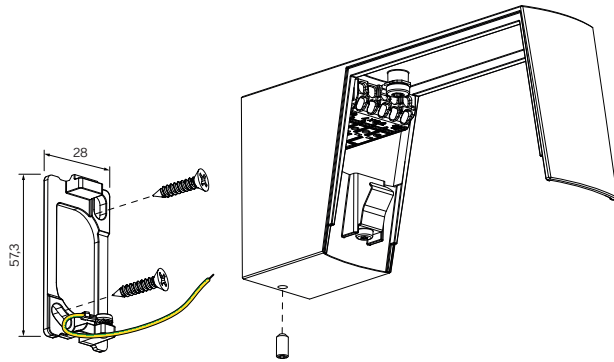
optional casambi



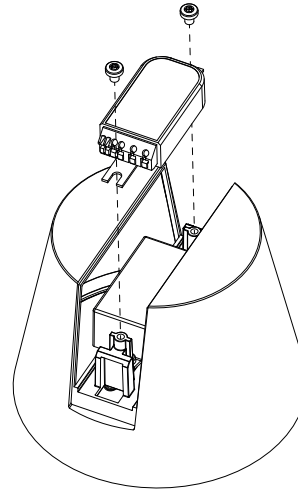
4.



1. Wall



2. optional casambi



Mounting instructions

Wall

1. Mount the backplate to the wall (fastening elements are not included) and connect the grounding wire to the terminal block. Attach the bracket with the socket screw.

2. optional casambi

2. optional casambi
Screw the casambi module to the luminaire body.

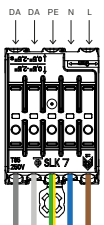
3. Connect the wires to the terminal.

For casambi connection cables are not included.
Recommendations:
AWG 16-24 (0,2-1,5mm²)
Length = 135mm
Unisolated lenght = 8,5-9,5mm

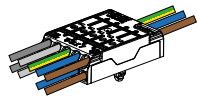
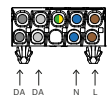
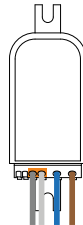
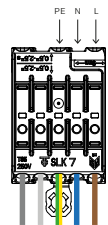
4. Clip in the luminaire body.

3.

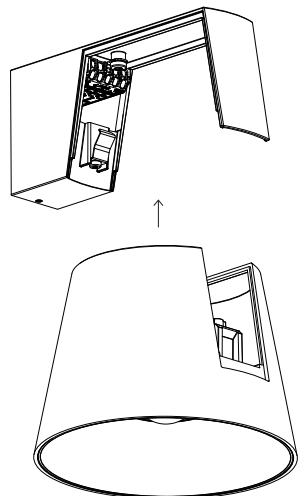
DALI



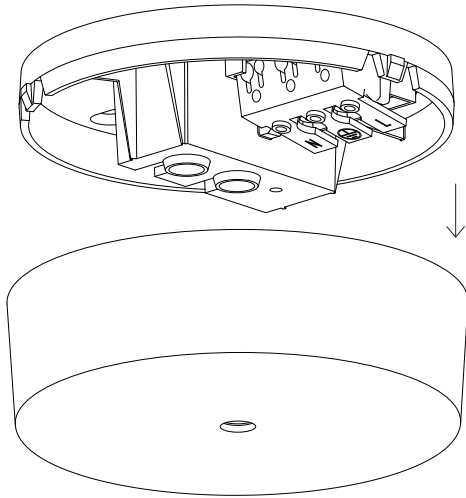
optional casambi



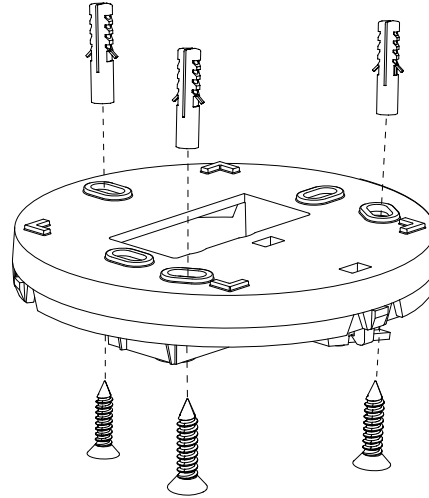
4.



1. Suspended



2.

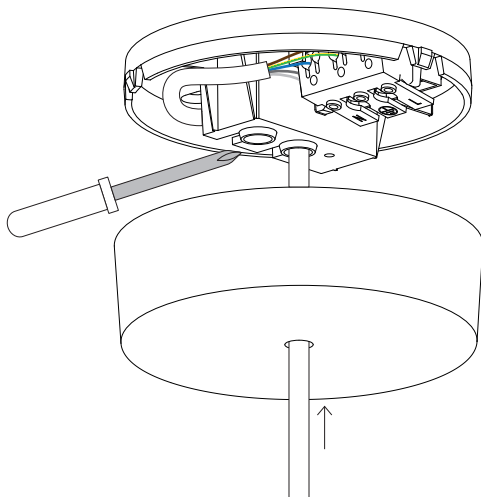


Mounting instructions

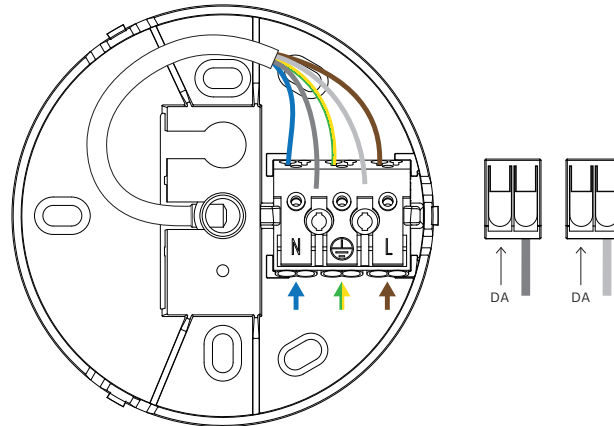
Suspended

1. Take the ceiling rose and remove the cover from the ceiling base by squeezing and pulling it apart.
2. Mount the base to the ceiling.
(fastening elements are not included)
3. Insert the cable through the cover into the strain relief and cut the cable to your required length.
Tighten the strain relief.
4. Dismantle the inner wires and connect them to the clamp.

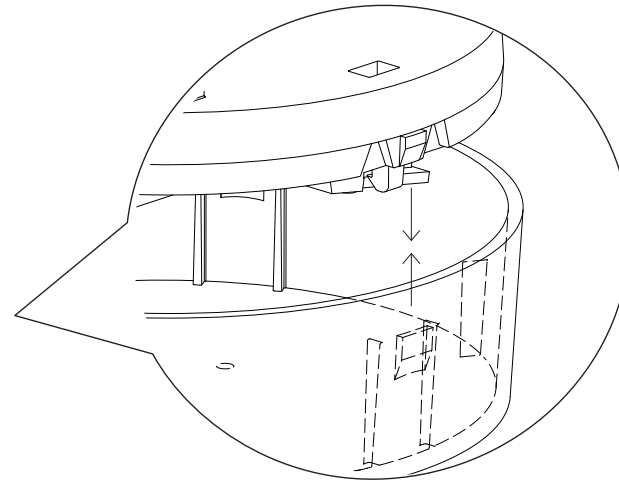
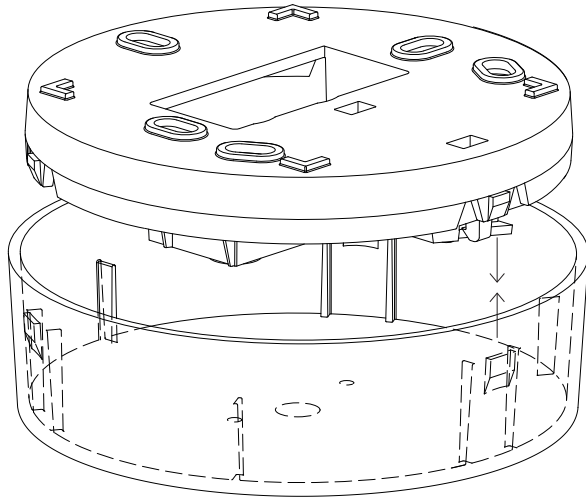
3.



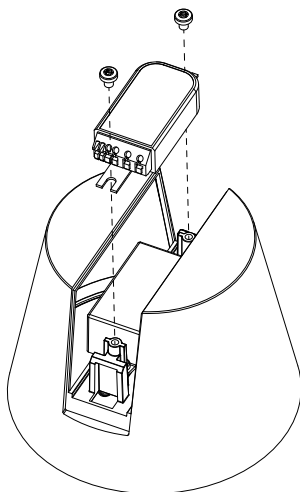
4.



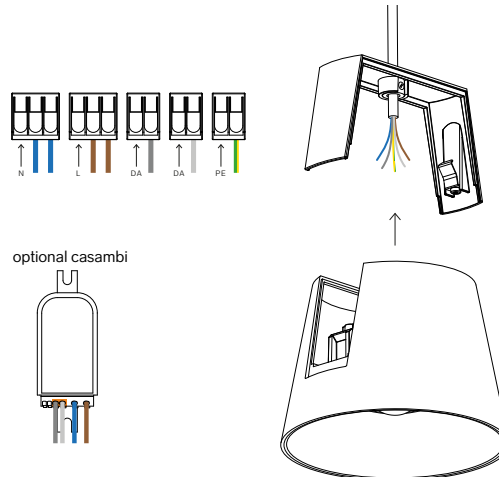
5.



6. optional casambi



7.



Mounting instructions

5.

Mount the cover back to the ceiling base by clipping it in.

Make sure the clips are aligned with the intended cutouts. There are three clips around the cover.

6. optional casambi

Screw the casambi module to the luminaire body (screws are included in the fixture).

7.

Connect the wires to the clamps. The DALI wires coming from the luminaire cable should not be used for casambi option. Clip in the luminaire body.

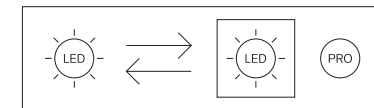
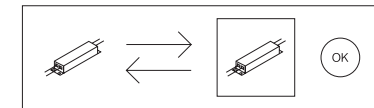
For casambi connection cables are not included.

Recommendations:

AWG 16-24 (0,2-1,5mm²)

Length = 135mm

Unisolated length = 8,5-9,5mm



This product contains a light source of energy efficiency class G.

To replace the light source, contact customer service at service@wastberg.com