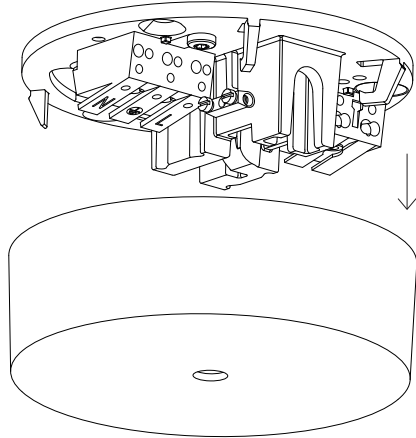
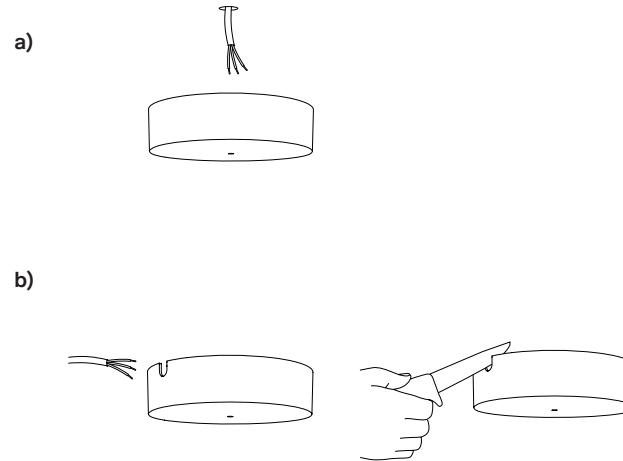


w151 Extra large pendant Instructions

1.



2.



Mounting instructions

1.

Remove the cover from the ceiling base by squeezing and pulling the cover.

2.

To insert the power cable there are two options

a) from above through the cutout.

b) from the side - cut the cover on the mark.

3.

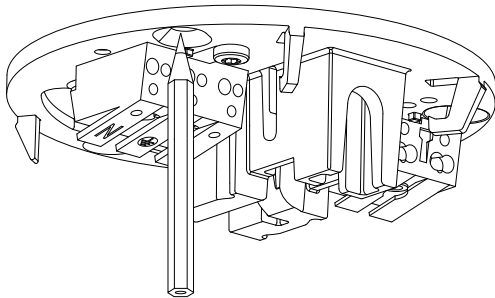
Mark the hole position on the ceiling.

4.

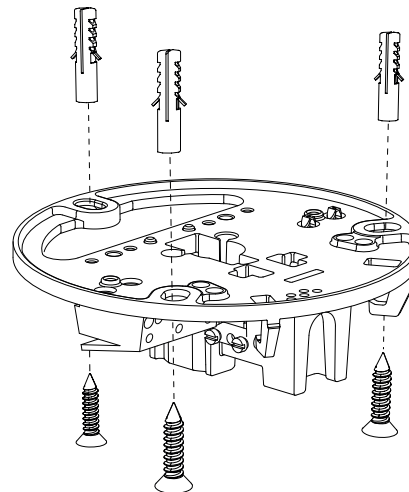
Mount the base to the ceiling.

(fastening elements are not included. Choose proper installation hardware.)

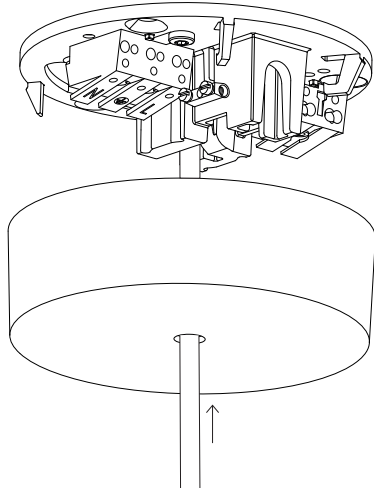
3.



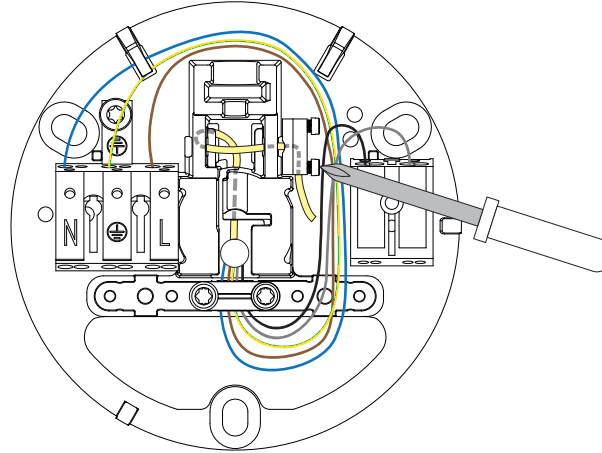
4.



5.



6.



Mounting instructions

5.

Insert the cable through the cover and cut the cable to your required length.

6.

Dismantle the wires and connect them to the clamp. Insert the cord through the holes into the strain relief, then tighten the screw.

7.

Connect the wires according to the diagram.

- a) Dali
- b) Push dim

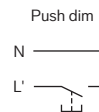
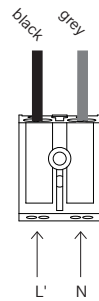
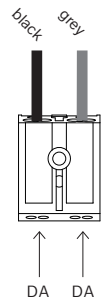
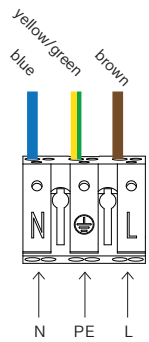
8.

Mount the cover back to the ceiling base by clipping it in.

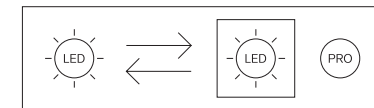
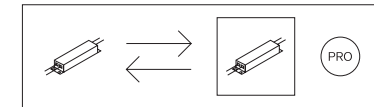
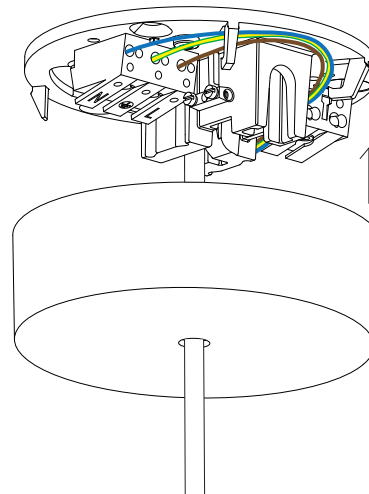
7.

a)

b)



8.



This product contains a light source of energy efficiency class E. To replace the light source, contact customer service at service@wastberg.com