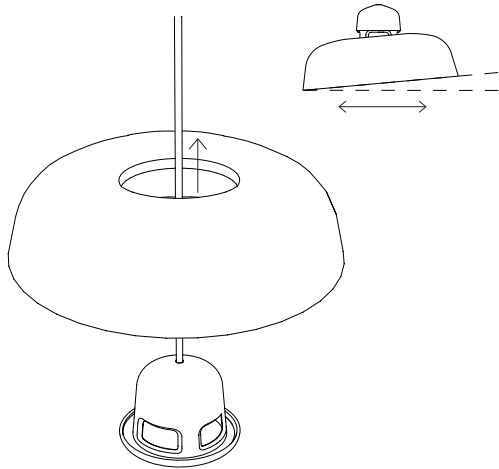
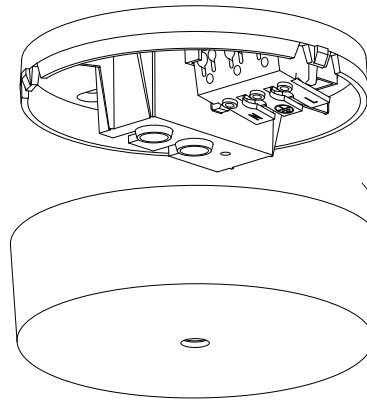


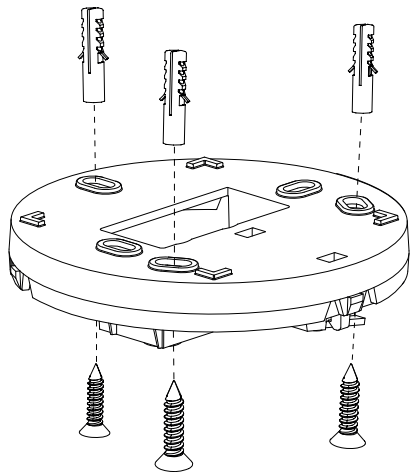
1.



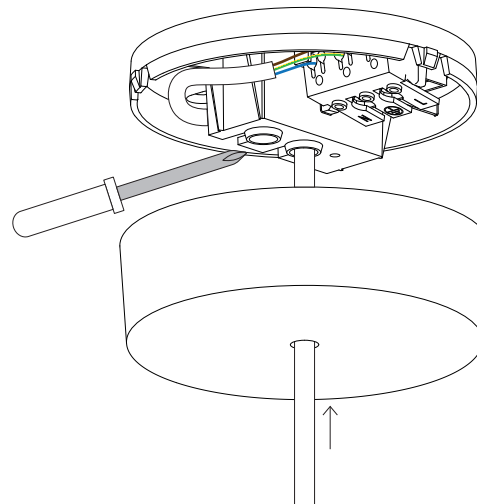
2.



3.



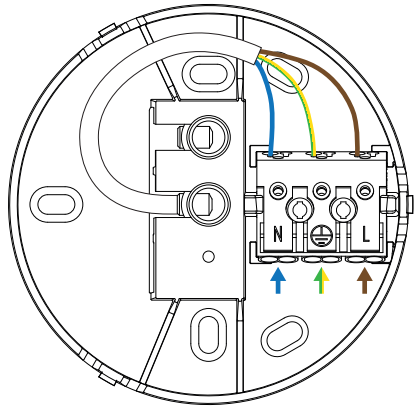
4.



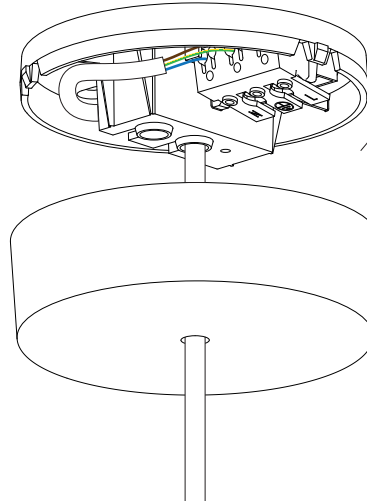
Mounting instructions

1. Pull the cable through the shade to place the shade over the led engine. Glass shade: to adjust the balance, slide the shade.
2. Remove the cover from the ceiling base by pulling the cover.
3. Mount the base to the ceiling.
(fastening elements are not included)
4. Insert the cable through the cover into the strain relief and cut the cable to your required length.
Tighten the strain relief.

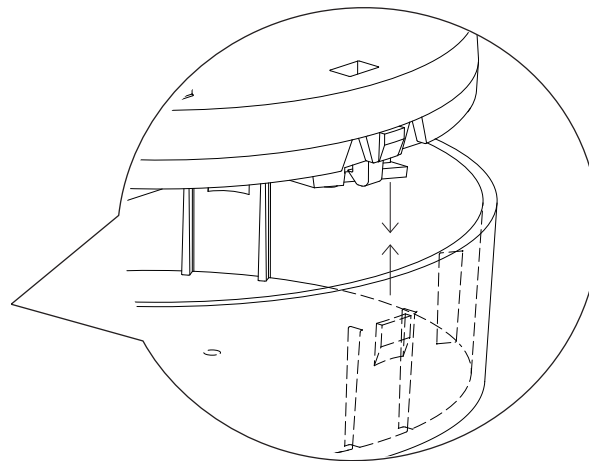
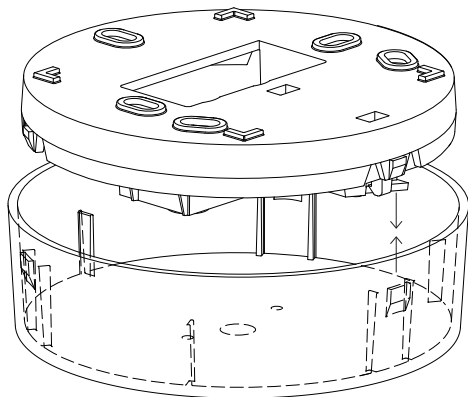
5.



6.

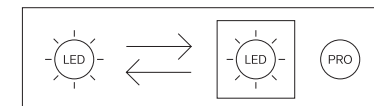
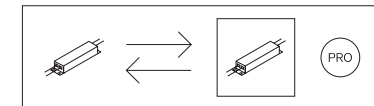


7.



Mounting instructions

5. Dismantle the inner wires and connect them to the clamp.
6. Mount the cover back to the ceiling base by clipping it in.
7. Make sure the clips are aligned with the intended cutouts. There are three clips around the cover.



This product contains a light source of energy efficiency class F.
 To replace the light source, contact customer service at
service@wastberg.com